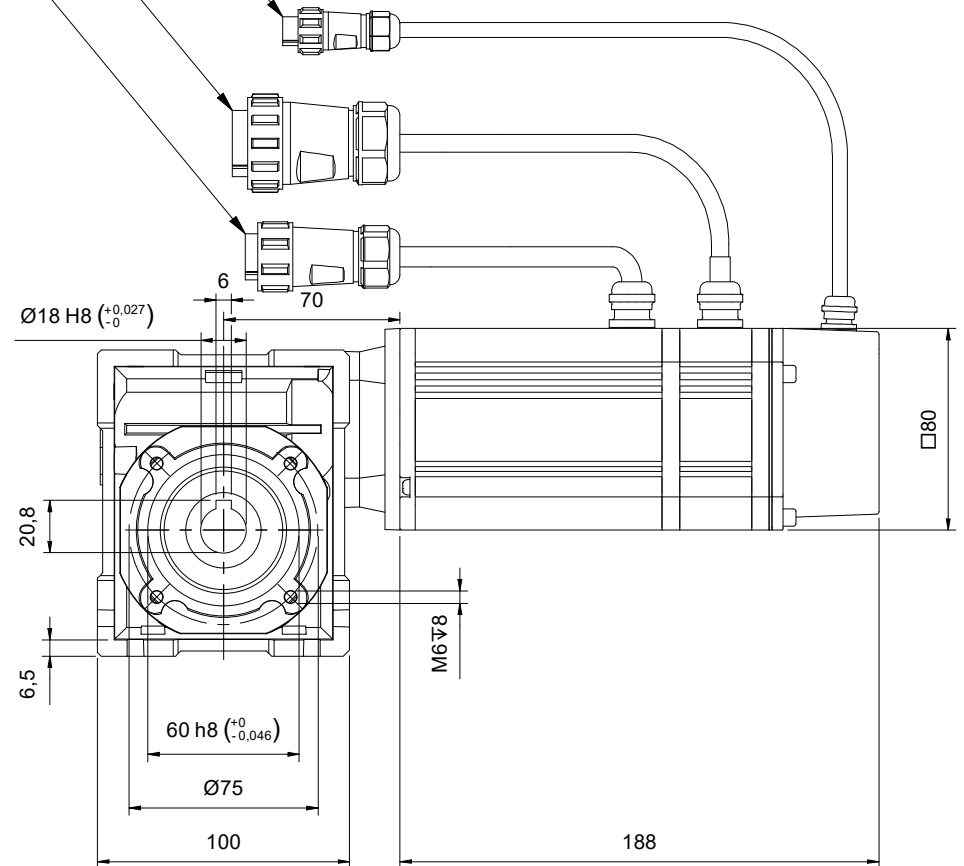
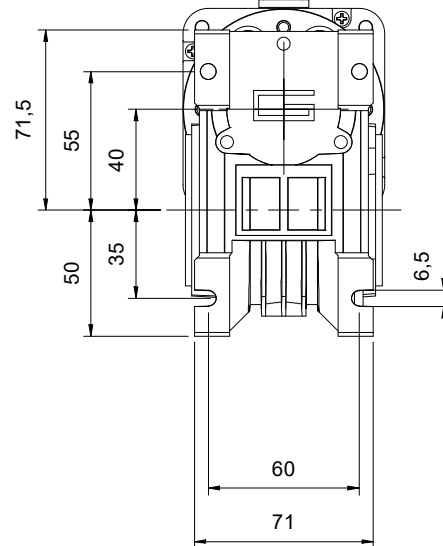
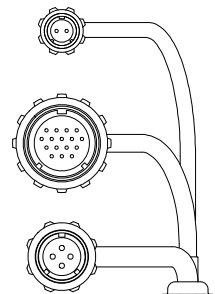



Brake Wire L=300±20
Connector: Weipu SP1310/P2

Encoder Cable AWG#26 L=300 MIN
Connector: Weipu SP2910/P16-1

Motor Cable AWG#14 L=300 MIN
Connector: Weipu SP2110/P4II-1



Article nr. : -		Checked by : RN		
Description : BLDC080-2(OFF) + ZW040		Approved :		
 Zilvertron mechanics & electronics		Date. : 6-3-2020	Unless otherwise specified: Dimensions in millimeters Tolerances: ISO 2769-m Debur and break edges	
		Rev. : 0		
Rev. Nr.	Revision Note	By	Date	Checked By

All rights reserved to Zilvertron B.V.

Zilvertron B.V.
De Smaragd 15
2872 ZT Schoonhoven
The Netherlands
T: +31(0)182-305045
E: info@zilvertron.com
W: www.zilvertron.com

Date. : 6-3-2020

Rev. : 0

Drawn : MDV

A4

Scale : 1 : 3