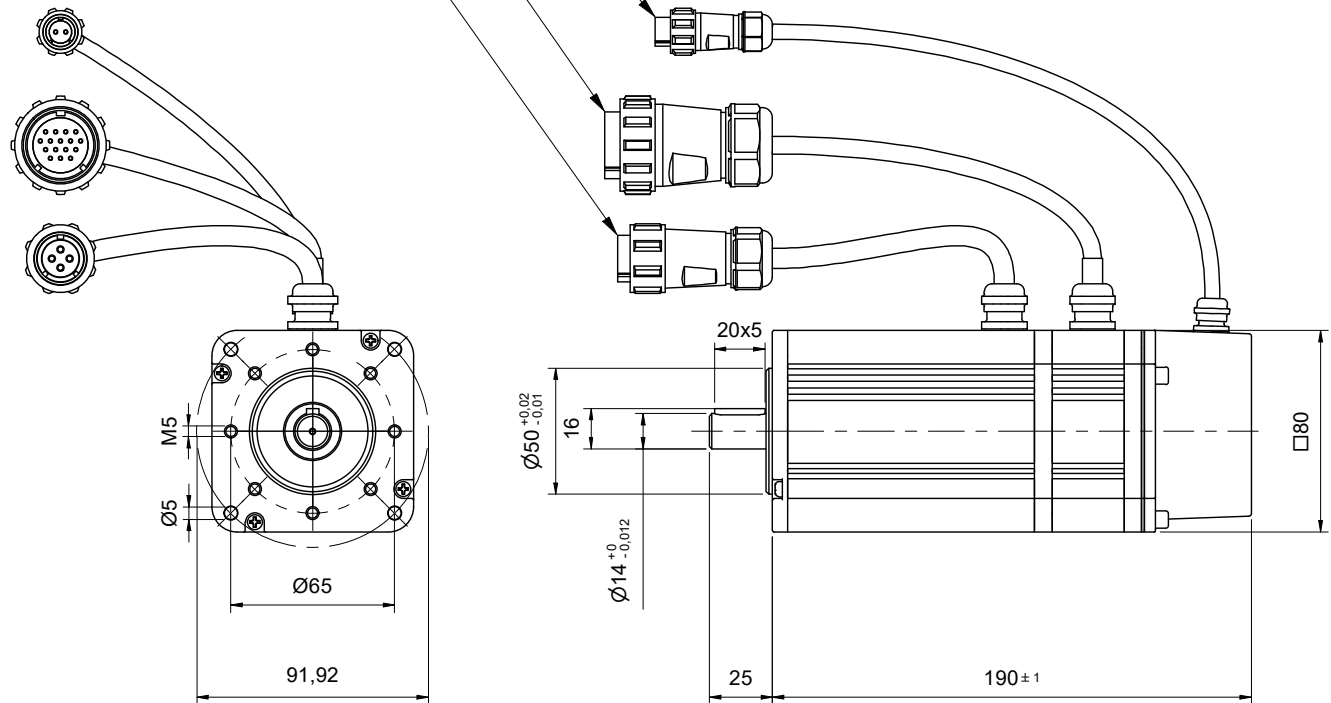



Brake Wire L=300± 20
Connector: Weipu SP1310/S2

Encoder Cable AWG#26 L=300 MIN
Connector: Weipu SP2910/S16-1

Motor Cable AWG#14 L=300 MIN
Connector: Weipu SP2110/S4II-1



Article nr. : 6002316		Checked by : RN	
Description : BLDC080-2-24-BRON-ENC_v03		Approved : MvdH	
 Zilvertron mechanics & electronics	Date. : 2-6-2020		Unless otherwise specified: Dimensions in millimeters Tolerances: ISO 2769-m Debur and break edges
	Rev. : 2		
Drawn : MDV	A4	Scale : 1 : 3	

Rev. Nr.	Revision Note	By	Date	Checked By
01	Shaft length correction on drawing	RN	25-1-2021	SJ
02	Motor length corrected	MdV	29-8-2022	RN

All rights reserved to Zilvertron B.V.