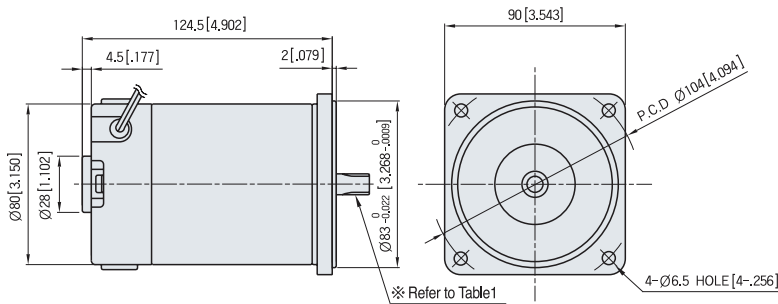




STANDARD TYPE S9D SERIES [40W]

MOTOR DIMENSION

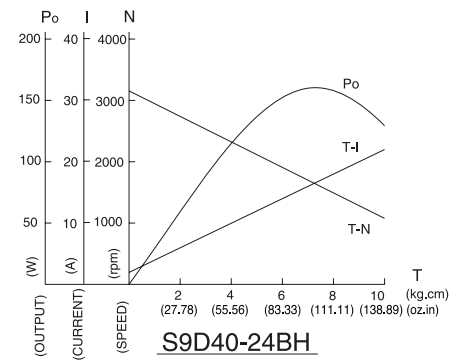
UNIT : mm[inch]



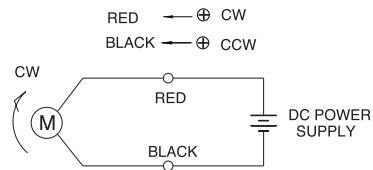
SPEC for output shaft of motor-(Table 1)

MODEL	GEARED TYPE	STRAIGHT TYPE	D-CUT TYPE	KEY TYPE
	S9D40- BH	S9D40- S	S9D40- D	S9D40- K

CHARACTERISTIC CURVE



CIRCUIT DIAGRAM



The direction of motor rotation is as viewed from the front shaft end of the motor

MOTOR SPECIFICATION

(Voltage : DC 24V)

Type	Voltage	Output	No Load		At Rated Lod			Run Duty	Weight	
			Speed	Current(MAX.)	Speed	Torque				Current
						RPM	A			
S9D40-12□	12	40	3100	2.5	2800	0.137	N-m	2.0	2000	0.6
						19.4	oz-in			
						1.40	kgf cm			
S9D40-24□	24	40	3100	1.5	2900	0.132	N-m	1.0	2000	0.6
						18.7	oz-in			
						1.35	kgf cm			
S9D40-90□	90	40	3200	0.3	3000	0.127	N-m	0.3	2000	0.6
						18.0	oz-in			
						1.30	kgf cm			

※ Run duty is valued at rated Voltage and No load

21C, for World geared motor!

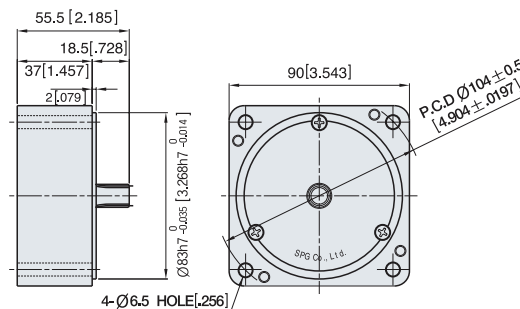
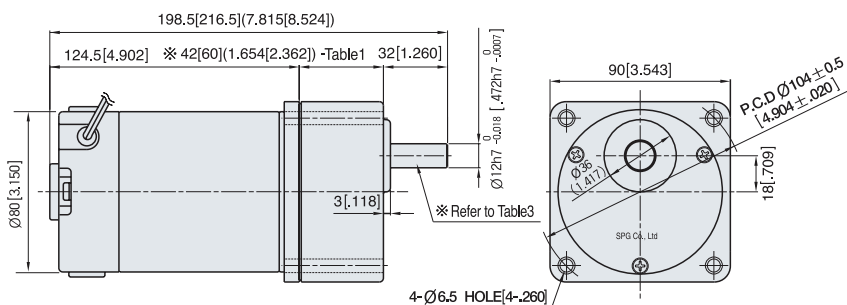


GEARED MOTOR SPECIFICATION

UNIT : mm[inch]

GEARED MOTOR * MOTOR MODEL : S9 40- B
* HEAD MODEL : S9 B3 ~S9 B200

INTER-DECIMAL GEAR HEAD
* MODEL : S9GX10B(H,L)



30(40) - (Table1)

GEAR RATIO	SIZE:mm[inch]
S9 B3 ~S9 B18	42 [1.654]
S9 B20 ~S9 B200	60 [2.362]

WEIGHT - (Table2)

PART	WEIGHT:kg[oz]	
MOTOR	0.6/0.7	
DECIMAL GEAR HEAD	0.60 [21.2]	
GEAR HEAD	S9 B3 ~S9 B18	0.73 [25.7]
	S9 B20 ~S9 B40	1.03 [36.3]
	S9 B50 ~S9 B200	1.13 [39.9]

SPEC for output shaft of gearhead-(Table3)

MODEL	
STRAIGHT TYPE	
S9SB3 ~S9SB200	
D-CUT TYPE	
S9DB3 ~S9DB200	
KEY TYPE	
S9KB3 ~S9KB200	

KEY SPEC

GEAR HEAD	MOTOR

GEAR HEAD RATED LOAD

S9D40-24BH

MODEL	GEAR RATIO	3	3.6	5	6	7.5	9	10	12.5	15	18	20	25	30	36	40	50	60	75	90	100	120	150	180	200
	No Load rpm		1033	861	620	517	413	344	310	248	207	172	155	124	103	86	78	62	52	41	34	31	26	21	17
S8KA B	N-m	0.32	0.39	0.54	0.64	0.80	0.96	1.07	1.34	1.61	1.93	1.93	2.41	2.89	3.47	3.86	4.34	5.21	6.51	7.81	8.68	9.80	9.80	9.80	9.80
	oz-in	45.5	54.6	75.9	91.0	113.8	136.6	151.7	189.7	227.6	273.1	273.1	341.4	409.7	491.6	546.3	614.6	737.5	921.8	1106.2	1229.1	1387.7	1387.7	1387.7	1387.7
	kgf-cm	3.3	3.9	5.5	6.6	8.2	9.8	10.9	13.7	16.4	19.7	19.7	24.6	29.5	35.4	39.4	44.3	53.1	66.4	79.7	88.6	100.0	100.0	100.0	100.0

- The code in ■ of gearhead model is for gear ratio
- It is the permissible torque of the assembled motor and gearhead
- The permissible torque of the combination of the regular gearhead and the inter-decimal gearhead is 30 f .
- ■ color indicates that the output shaft of the geared motor rotates in the same direction as the output shaft of the motor. Others indicate rotation in the opposite direction.
- No Load rpm equals Motor no load rpm divided by gear ratio. The actual rotation speed is less 2-20% than the displayed value according to the load
- There is no marked the L code for it is an exclusive use.