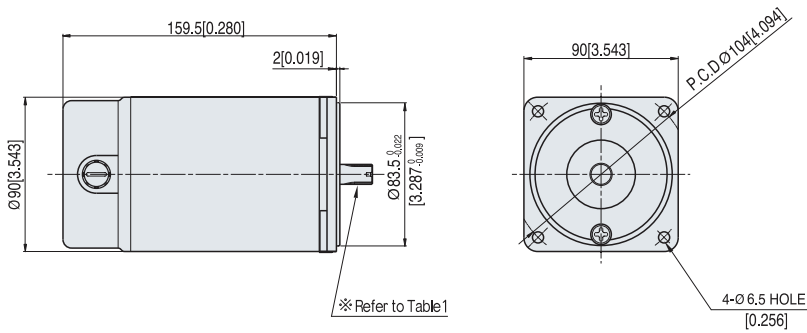




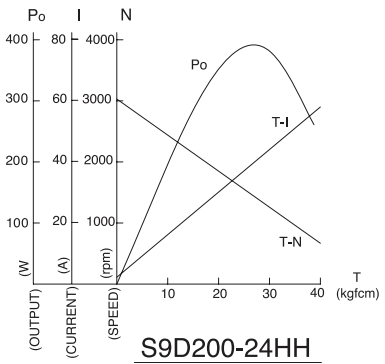
STANDARD TYPE S9D SERIES [200W]

MOTOR DIMENSION

UNIT : mm[inch]



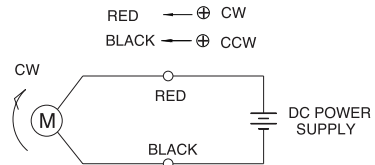
CHARACTERISTIC CURVE



SPEC for output shaft of motor-(Table 1)

MODEL	GEARED TYPE	STRAIGHT TYPE	D-CUT TYPE	KEY TYPE
	S9D300- HH	S9D300- S	S9D300- D	S9D300- K

CIRCUIT DIAGRAM



The direction of motor rotation is as viewed from the front shaft end of the motor

MOTOR SPECIFICATION

(Voltage : DC 24V)

Type	Voltage	Output	No Load		At Rated Load			Run Duty	Weight	
			Speed	Current(MAX.)	Speed	Torque				Current
						RPM	A			
S9D200-12□	12	200	3050	3.2	2260	0.843	N-m	27.0	2000	4.5
						119.3	oz-in			
						8.60	kgf cm			
S9D200-24□	24	200	3050	2.0	2600	0.735	N-m	12.0	2000	4.5
						104.1	oz-in			
						7.50	kgf cm			
S9D200-90□	90	200	3050	0.5	2670	0.715	N-m	2.8	2000	4.5
						101.3	oz-in			
						7.30	kgf cm			

※ Run duty is valued at rated Voltage and No load

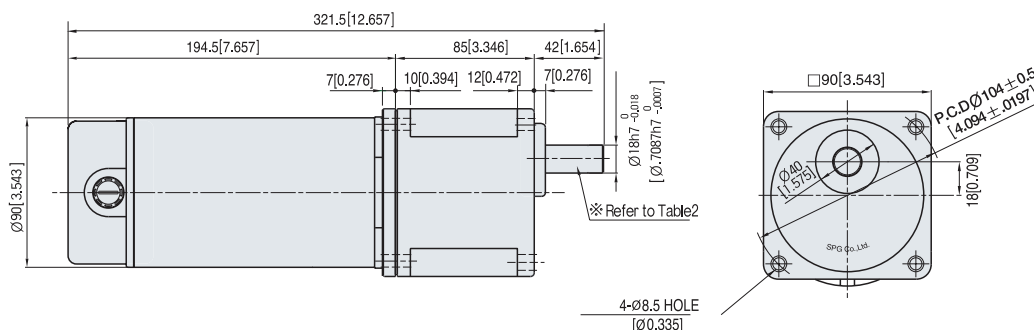
21C, for World geared motor!



GEARED MOTOR SPECIFICATION

UNIT : mm[inch]

GEARED MOTOR ※ MOTOR MODEL : S9D300- HH
 ※ HEAD MODEL : S9 H3B~S9 H200B



30(40) – (Table1)

PART		WEIGHT:kg(oz)
MOTOR		5.0(176.4)
GEAR HEAD	S9 H3B ~S9 H10B	1.65(58.2)
	S9 H12.5B ~S9 H20B	1.80(63.5)
	S9 H25B ~S9 H60B	1.90(67.0)
	S9 H75B ~S9 H200B	1.95(68.8)

SPEC for output shaft of gearhead-(Table2)

MODEL	SHAFT DIMENSIONS
STRAIGHT TYPE	
S9SH3B ~S9SH200B	
D-CUT TYPE	
S9DH3B ~S9DH200B	
KEY TYPE	
S9KH3B ~S9KH200B	

KEY SPEC

GEAR HEAD	MOTOR

GEAR HEAD RATED LOAD

S9D200-90HH

MODEL	GEAR RATIO	3	3.6	5	6	7.5	9	10	12.5	15	18	20	25	30	36	40	50	60	75	90	100	120	150	180	200
		No Load rpm	1017	847	610	508	407	339	305	244	203	169	153	122	102	85	76	61	51	41	34	31	25	20	17
S9KH□ B	N-m	1.74	2.09	2.90	3.48	4.35	5.22	5.79	6.52	7.82	9.39	10.43	10.56	14.08	16.90	18.77	23.47	28.16	29.40	29.40	29.40	29.40	29.40	29.40	29.40
	oz-in	246.2	295.4	410.3	492.3	615.4	738.5	820.5	923.1	1107.7	1329.3	1477.0	1495.4	1993.9	2392.7	2658.5	3323.2	3987.8	4163.0	4163.0	4163.0	4163.0	4163.0	4163.0	4163.0
	kgf·cm	17.7	21.3	29.6	35.5	44.3	53.2	59.1	66.5	79.8	95.8	106.4	107.8	143.7	172.4	191.6	239.5	287.4	300.0	300.0	300.0	300.0	300.0	300.0	300.0

- The code in □ of gearhead model is for gear ratio
- It is the permissible torque of the assembled motor and gearhead
 The permissible torque of the combination of the regular gearhead and the inter-decimal gearhead is 30 f .
- color indicates that the output shaft of the geared motor rotates in the same direction as the output shaft of the motor.
 Others indicate rotation in the opposite direction.
- No Load rpm equals Motor no load rpm divided by gear ratio. The actual rotation speed is less 2-20% than the displayed value according to the load
- There is no marked the L code for it is an exclusive use.