

Kinco 步科

Manual

Kinco FD5 series AC servo system



Kinco Electric (shenzhen) Ltd.
www.kinco.cn

Preface and Product Confirmation

Thank you for using Kinco FD5 series of servo products.

FD5 series AC servo is an economical product launched by Kinco for the general servo market, with a power range between 200W to 3KW. The new generation servo products support CANopen, EtherCat, Modbus, Profinet and other communication protocols. The servo products can be widely used in logistics, 3C electronics, printing and packaging, textile machinery, woodworking machinery, lithium batteries and new energy automobile industry.

Please read the manual carefully and follow the operating instructions, it can help you set up the drive correctly and make the drive perform optimally.

The accessories of different models of Kinco FD5 series drives are different. We recommend that you confirm the product carefully before use.

Confirmation

- Please confirm whether the product is damaged during transportation
- Please confirm the motor model, drive model, and motor wiring model are consistent with the model you ordered according to the nameplate information on the drive and motor.
- Please confirm whether the terminal accessories of the drive is complete, and the motor oil seal and keys are complete on the drive.

Product Model	Accessories with Quantity
FD425-PA-000	Main power terminal (including auxiliary wiring tools)*1, D-sub36P plug*1, certificate*1, service guide*1, desiccant*1
FD425-CA-000	
FD425-LA-000	
FD435-CA-000	4P power line terminals*1, 9P main power terminals (including auxiliary wiring tools and short wires)*1, D-sub36P plug*1, certificate of conformity*1, service guide*1, desiccant*1
FD435-LA-000	
FD435-PA-000	
FD625-CA-000	
FD625-LA-000	
FD625-PA-000	

If there is any problem with any of the above, please contact Kinco or your supplier to solve it.

Identifications Description



Danger

Wrong operation could lead death or serious injury.



Warning

Risk of minor injury or serious property damage.

Other Identifications



Attention

May cause equipment damaged or function disable



Remind

Suggestion, reminding, or references

Manual Edition Record

Edition	Chapter	Date	Edition Detail
1.0	All Chapter	2022-03-24	First edition

Preface and Product Confirmation.....	- 3 -
Confirmation	- 3 -
Chapter 1 Servo system model and configuration description	5
1.1 Description of product model	5
1.2 Drive nameplate description	5
1.1 Motor model description.....	6
1.2 Motor nameplate description	6
1.3 Servo drive specifications	7
1.5 Configuration table	9
Chapter 2 Servo system installation requirements and notes.....	11
2.1 Installation of drive.....	11
2.1.1 Installation requirement.....	11
2.1.2 Installation distance and direction	13
2.1.3 Drive usage requirements	15
2.2 Servo motor installation	17
2.2.1 Installation requirements.....	17
2.3.2 Environment conditions	18
2.3.3 Precautions	19
Chapter 3 Installation and wiring.....	22
3.1 Drive description	22
3.2 External system connection.....	23
3.2.1 Wiring connection mode	26
3.2.2 Drive anti-interference measurements	27
3.2.3 DC bus	29
3.3 RS232 serial port	30
3.4 External input and output connection (X1)	31
3.4.1 Digital signal input.....	35
3.4.2 Digital signal output.....	35
3.4.3 Pulse command input	37
3.4.4 Brake connection	38
3.5 Encoder input (X2)	40
3.6 Power port (X3)	41
3.7 Communication port input (X4)	41
Chapter 4 Controller setup with LED panel.....	43

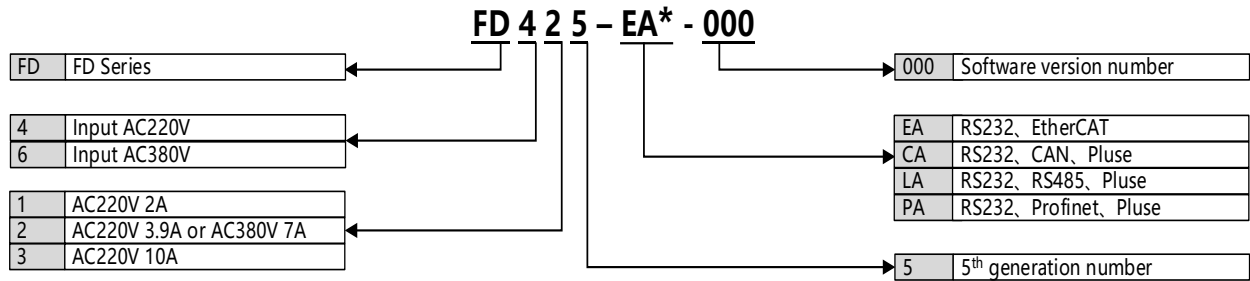
4.1	Panel operation	43
4.2	Panel menu structure and navigation	44
4.3	Easy Use Function	45
4.3.1	Setup process with Easy Use Function.....	45
4.3.2	Flowchart and description of the EASY menu.....	47
4.3.3	Flowchart and description of the tunE menu	51
4.3.4	Reasons for the failure of tuning.....	54
4.3.5	Tuning case.....	55
4.4	Jog mode (Test run)	57
4.5	Error history (F007)	57
Chapter5 KincoServo +, user guide		59
5.1	Getting started.....	59
5.1.1	Language.....	59
5.1.2	Open and saving project files	59
5.1.3	Starting communication	60
5.1.4	Node ID and baud rate.....	60
5.1.5	Objects (add, delete, help)	60
5.2	Init save reboot.....	61
5.3	Firmware update	61
5.4	Read/write controller configuration.....	62
5.4.1	Read setting from controller	62
5.4.2	Write setting to controller.....	63
5.5	Digital IO function	64
5.5.1	Digital Input.....	64
5.5.2	Digital outputs.....	67
5.5.5	Fast capture	68
5.6	Scope.....	70
5.7	Error display and error history	72
Chapter 6 Operation modes and control modes		76
6.1	General steps for starting a control mode.....	76
	Step1: wiring.....	76
	Step 2: IO function configuration.....	76
	Step 3: Set necessary parameters	78
	Step 4: Save and reboot	82
	Step 5: Start operation	82
6.2	Velocity mode (-3, 3)	82
6.2.2	DIN Speed mode.....	83

6.3	Torque mode(4).....	85
6.4	Position mode(1).....	86
6.4.1	DIN introduction to Location Position.....	87
6.4.2	Position flow mode.....	89
6.5	Pulse mode (-4).....	94
6.5.1	Pulse mode setting steps.....	95
6.5.2	Other function.....	97
6.5.3	Electronic gear ratio switching (expert mode).....	98
6.5.4	Master-slave mode.....	99
6.6	Full closed loop mode.....	100
6.6.1	Full closed loop control operation steps.....	103
6.7	Homing mode(6).....	105
6.8	Other functions.....	113
6.8.1	Limit function.....	113
6.8.2	Motor brake control.....	114
6.8.2	Stop Mode Control.....	117
6.8.3	Multi-tune encoder Setting.....	119
Chapter7:Tuning of the servo system control.....		124
7.1	Auto-tuning.....	124
7.2	Auto-tuning test operation method.....	125
7.2.1	Parameters for auto-tuning.....	125
7.2.2	Start of auto-tuning.....	125
7.2.3	Problems and adjustments with auto-tuning.....	126
7.2.4	Adjustment after auto-tuning.....	126
7.3	Manual tuning.....	127
7.3.1	Tuning of the velocity loop.....	127
7.3.2	Tuning of the position loop.....	133
7.4	Gain switch (Pro mode).....	136
7.4.1	Gain switching method.....	138
7.5	Other factors affecting performance.....	139
Chapter 8 Alarm Investigation.....		139
Chapter 9 List of FD5 motor controller parameters.....		145
9.1	F001.....	146
9.2	F002.....	148
9.3	F003.....	149
9.4	F004.....	151

9.5 F005.....	152
Chapter 10 Communication.....	154
10.1 RS232 wiring.....	154
10.1.1 RS232 Hardware port	154
10.1.2 RS232 communication cable.....	154
10.1.3 RS232 Transfer protocol	154
10.1.4 RS232 Data protocol.....	155
10.2 RS485 Communication.....	160
10.2.1 RS485 Hardware wiring.....	160
10.2.2 RS485 communication parameters.....	161
10.2.3 MODBUS RTU communication protocol	162
10.2.4 Communication troubleshooting measures.....	163
10.3 CANopen Bus communication.....	165
10.3.1 CANopen bus communication hardware description.....	165
10.3.2 CANopen bus communication software description	166
10.3.3 CANopen Bus communication settings	180
10.3.4 Interpolation mode based on CANopen	182
Appendix 1: Braking Resistor Selection	184
Appendix II: List of Common Object Parameters.....	185
Mode and control (0x6040)	185
Measurement data	187
Target (0x607A)	187
Multi-segment position/multi-segment velocity (0x2020)	189
performance object (0x6065)	191
Homing control (0x6098)	192
Velocity loop parameters (0x60F9)	192
Position loop (0x60FB)	194
Input/output port parameter (0x2010)	195
Pulse input parameters (0x2508)	198
parameters for storage (0x2FF0)	198
Error code (0x2601)	200
Stop mode.....	201
Other parameter	202

Chapter 1 Servo system model and configuration description

1.1 Description of product model



*notice: FD425-F-000(AC220 5A)is designed for 1KW servo motor

Figure 1-1 Drive naming rules

1.2 Drive nameplate description

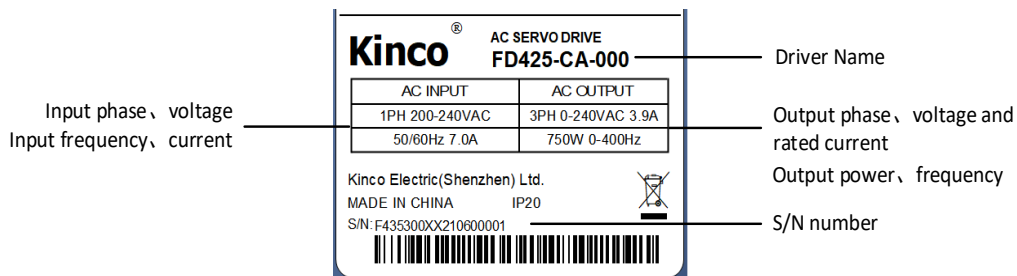


Figure 1-2 Drive nameplate description

1.1 Motor model description

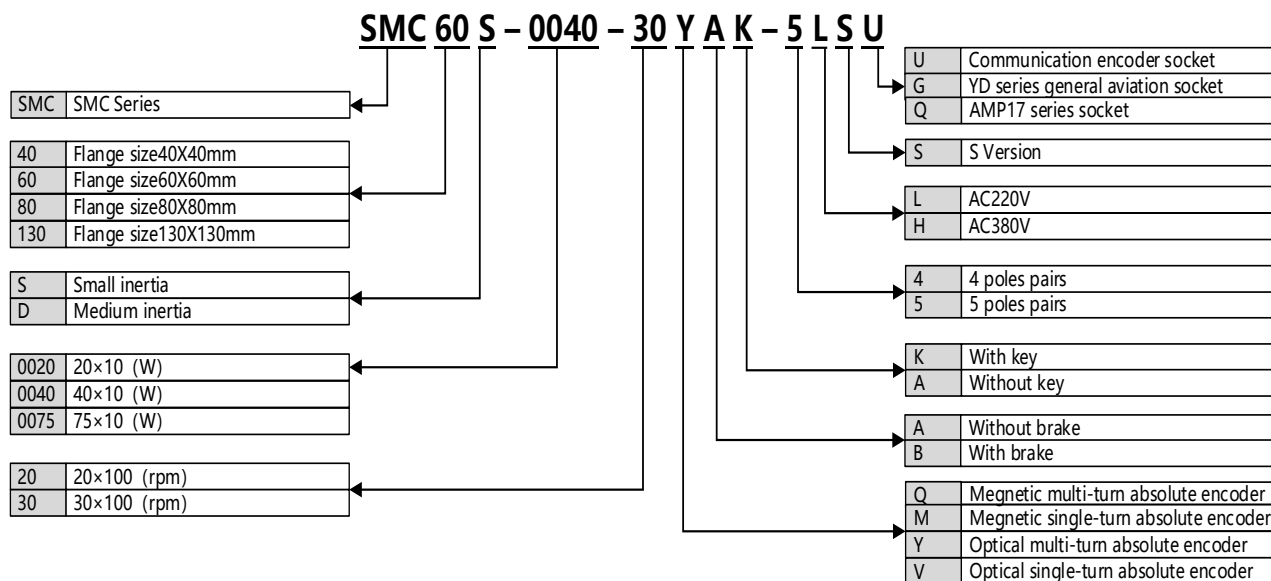


Figure 1-3 Motor naming rules

1.2 Motor nameplate description

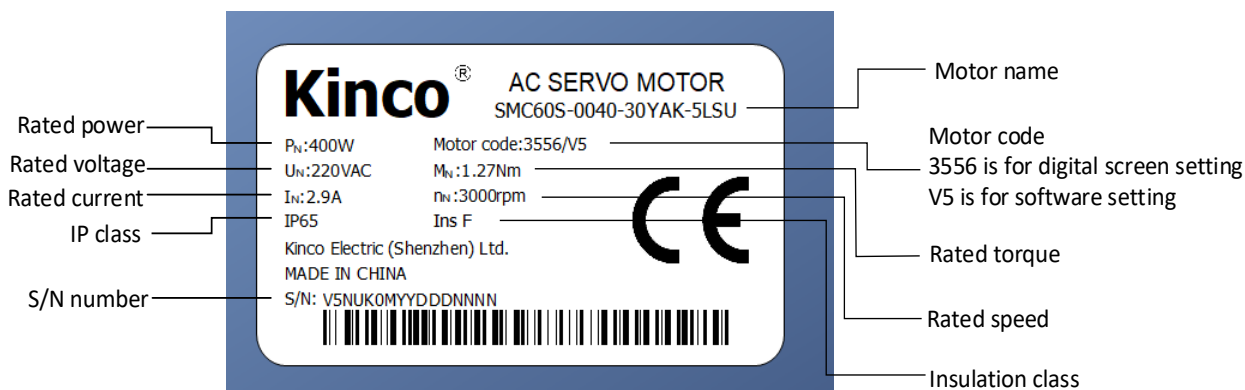


Figure 1-4 Motor nameplate description

1.3 Servo drive specifications

Models		FD425-□A-000	FD425-□F-000	FD435-□A-000	FD625-□A-000
Power supply	Power supply	1PH,200-240VAC±10% 50/60Hz±3HZ (750W 7A) (200W 3A)		1PH,3PH, 200- 240VAC± 10% 50/60Hz± 3HZ 14.0A	3PH, 380- 415VAC±10% 50/60Hz± 3HZ 12.0A
	Logic power supply	No separate logic power supply		200-240VAC±10% 50/60Hz ± 3HZ 0.5A	
Current	Max continuous output (rms)	2A(200W) 3.1A(400W) 3.9A(750W)	5A	10A	7A
	Peak current	7Ap(200W) 14Ap(400W) 18Ap(750W)	18Ap	27.5Ap	25Ap
Feedback signal		Photoelectric single-turn encoder Single-turn communication magnetolectric encoder; Photoelectric multi-turn communication absolute encoder;			
Dynamic braking		FD425 Drive has no built-in braking resistor, FD435 built-in 100Ω, 20W limited power; FD625 built-in 300Ω, 20W limited power; If the actual power exceeds the limit power, an external braking resistor is required (depending on the operating conditions, mainly used in the occasions of quick start and stop)			
Dynamic braking voltage absorption point		DC380V±5V	DC380V±5V	DC380V±5V	DC680V±5V
Overvoltage alarm		DC400V±5V	DC400V±5V	DC400V±5V	DC700V±5V
Undervoltage alarm		DC200V±5V	DC200V±5V	DC200V±5V	DC400V±5V
Cooling method		Passive cooling	Air cooling		
Weight (KG)		0.881		1.5	

Position control Mode	Order control method	External pulse input control 8-segment position can be controlled using DIN signal Internal parameter of communication setting control
	Order smoothing method	Low-pass filter (Set by internal parameter) , S-curve smooth filter(Set by internal parameters in mode 1)
	Pulse order method	Pulse+Direction, CCW+CW, A phase+B phase (3.0V~30V ,Maximum 500KHz)
	Maximum input pulse frequency	Differential transmission mode: up too 4MHz, Open collector transmission mode: 500KHz
	Electronic gear ratio	Setting range: Gear factor: -32768 ~ 32767, Gear divider: 1 ~ 32767, $1/50 \leq \text{Gear factor}/\text{Gear divider} \leq 50$
	Torque limit	Set by internal parameter
	Feedforward gain	0~100.0% (Set by internal parameter)

	Position loop sampling frequency	2KHz
Speed control mode	Order control method	8-segment position can be controlled using DIN signal Internal parameter of communication setting control
	Order smoothing method	Low-pass filter (Set by internal parameter)
	Speed limit	Set by internal parameter
	Torque limit	Set by internal parameter
	Speed loop sampling frequency	8KHz
Torque Control Mode	Order control method	Internal parameter of communication setting control
	Order smoothing method	Low-pass filter (Set by internal parameter)
	Speed limit	Set by internal parameter
	Current loop sampling	16KHz

	frequency	
Digital Input	Input specification	7 digital inputs, with COM1 terminal for PNP(high level valid 12.5-30V) or NPN (Low level valid 0~5V) connction
	Input funciton	Define freely according to requirement, supporting following functions: Driver enable, driver fault reset, driver mode control, speed loop proportional control, positive limit, negative limit, homing signal, reverse command, internal speed section control, internal positive section control, quick stop, start homing, active command, switch electronic gear ratio, switch gain, Position table function, clear pulse function
Digital output	output specification	5 Digital output, maximum voltage DC30V, differential output of OUT1 and OUT2, maximum output current100mA, single-ended output of OUT3~OUT5, maximum output current of 20mA, and motor OUT2 brake output controlled by relay.
	Output function	Define freely according to requirement, supporting following functions: Driver ready, driver fault, position reached, motor zero speed, motor brake,motor speed reached, Z signal, maximum speed obtained in torque mode, motor lock, position limiting, reference found. Multstage position.
Encoder signal output funciton		output 5V motor A、 B、 Z signal, Frequency division output range 0~65536; for multi0axis synchronization, maximum output frequency 5MHZ
Protectional function		Overvoltage protection、 Undervoltage protection、 Motor overheat(I2T)protection、 Shorts protection、 Drive overheat protection and etc.
RS232		RS232(PC connecting method: RS232 serial to Mini-USB Port)
RS485		MAX Support 115.2KHz baud rate, you can use Modbus RTU protocol to communicate with the controller
CANopen		MAX support 1MHz baud rate, you can use Modbus RTU protocol to communicate with the controller
EtherCAT		Support CoE (CiA402 protocol) and CSP/CSV/PP/PV/PT/HM mode, the communication rate is 100Mbps.
Profinet		Support message 1,message 3,message 111,technology object,non-cyclic data reads and writes,etc
<p>Attention: □=L: RS232、 RS485</p> <p>□=C: RS232、 CANopen</p> <p>□=E: RS232、 EtherCAT</p> <p>□=P: RS232、 Profinet</p>		

1.5 Configuration table

Series	Rated power/ Rated	Servo motor	Description	Servo driver				Power cable Brake cable	Encoder cable				
				Profinet	EtherCAT	Pulse CANopen	Pulse MODBUS 485						
SMC series	200W 3000rpm 0.64Nm	SMC605-0020-30VAK-5LSU	Single-turn communication photoelectric encoder motor	FD425-PA-000	FD425-EA-000	FD425-CA-000	FD425-LA-000	MOT-005-LL-KL-NS	ENCDG-LL-GU				
	400W 3000rpm 1.27Nm	SMC605-0020-30VBK-5LSU	Single-turn communication photoelectric encoder brake motor					MOT-005-LL-KL-NS/BRA-LL-KL					
	750W 3000rpm 2.39Nm	SMC805-0075-30VAK-5LSU	Single-turn communication photoelectric encoder motor					MOT-005-LL-KL-NS					
	200W 3000rpm 0.64Nm	SMC605-0020-30YAK-5LSU	Multi-turn communication photoelectric absolute encoder motor					MOT-005-LL-KL-NS/BRA-LL-KL					
	400W 3000rpm 1.27Nm	SMC605-0040-30YAK-5LSU	Multi-turn communication photoelectric absolute encoder motor					MOT-005-LL-KL-NS					
	750W 3000rpm 2.39Nm	SMC805-0075-30YAK-5LSU	Multi-turn communication photoelectric absolute encoder motor					MOT-005-LL-KL-NS					
	200W 3000rpm 0.64Nm	SMC605-0020-30YBK-5LSU	Multi-turn communication type photoelectric absolute encoder brake motor					MOT-005-LL-KL-NS/BRA-LL-KL	ENCDG-LL-GU ENCDG-(4)-GU-BT5 BAT-FD5				
	400W 3000rpm 1.27Nm	SMC605-0040-30YBK-5LSU	Multi-turn communication type photoelectric absolute encoder brake motor					MOT-005-LL-KL-NS					
	750W 3000rpm 2.39Nm	SMC805-0075-30YBK-5LSU	Multi-turn communication type photoelectric absolute encoder brake motor					MOT-005-LL-KL-NS					
	1KW 2000rpm 5Nm	SMG130D-0100-20YAK-4LKG	Multi-turn communication photoelectric absolute encoder aviation socket motor					MOT-005-LL-KG1-NS		ENCDG-LL-GG0 ENCDG-(4)-GU-BT5 BAT-FD5			
	1.5KW 2000rpm 7.7Nm	SMG130D-0150-20YAK-4LKG	Multi-turn communication photoelectric absolute encoder aviation socket motor					MOT-008-LL-KG1-NS					
	2KW 2000rpm 10Nm	SMG130D-0200-20YAK-4LKG	Multi-turn communication type photoelectric absolute encoder aviation socket motor					MOT-008-LL-KG1-NS/BRA-LL-MG					
1.5KW 2000rpm 7.7Nm	SMG130D-0150-20YBK-4LKG	Multi-turn communication type photoelectric absolute encoder aviation socket motor	MOT-005-LL-KG1-NS										
2KW 2000rpm 10Nm	SMG130D-0200-20YBK-4LKG	Multi-turn communication type photoelectric absolute encoder aviation socket motor	MOT-005-LL-KG1-NS/BRA-LL-MG										
3KW 2000rpm 15Nm	SMG130D-0300-20YBK-4LKG	Multi-turn communication type photoelectric absolute encoder aviation socket motor	MOT-008-LL-KG1-NS										
200W 3000rpm 0.64Nm	SMC605-0020-30MAK-5LSU	Single-turn communication magnetolectric encoder motor	FD425-PA-000	FD425-EA-000	FD425-CA-000	FD425-LA-000	MOT-005-LL-KL-NS	ENCDG-LL-GU					
400W 3000rpm 1.27Nm	SMC605-0040-30MAK-5LSU	Single-turn communication magnetolectric encoder motor					MOT-005-LL-KL-NS/BRA-LL-KL						
750W 3000rpm 2.39Nm	SMC805-0075-30MAK-5LSU	Single-turn communication magnetolectric encoder motor					MOT-005-LL-KL-NS						
200W 3000rpm 0.64Nm	SMC605-0020-30QAK-5LSU	Multi-turn communication type magnetolectric absolute encoder motor					MOT-005-LL-KL-NS						
400W 3000rpm 1.27Nm	SMC605-0040-30QAK-5LSU	Multi-turn communication type magnetolectric absolute encoder motor					MOT-005-LL-KL-NS/BRA-LL-KL						
750W 3000rpm 2.39Nm	SMC805-0075-30QAK-5LSU	Multi-turn communication type magnetolectric absolute encoder motor					MOT-005-LL-KL-NS						
200W 3000rpm 0.64Nm	SMG605-0020-30MBK-5LSQ	Single-turn communication magnetolectric encoder brake motor					MOT-005-LL-KQ-NS	ENCDG-LL-GQ					
400W 3000rpm 1.27Nm	SMG605-0040-30MBK-5LSQ	Single-turn communication magnetolectric encoder brake motor					MOT-005-LL-KQ-NS/BRA-LL-KQ						
750W 3000rpm 2.39Nm	SMG805-0075-30MBK-5LSQ	Single-turn communication magnetolectric encoder brake motor					MOT-005-LL-KQ-NS						
200W 3000rpm 0.64Nm	SMG605-0020-30QBK-5LSQ	Multi-turn communication type magnetolectric absolute encoder motor					MOT-005-LL-KQ-NS						
400W 3000rpm 1.27Nm	SMG605-0040-30QBK-5LSQ	Multi-turn communication type magnetolectric absolute encoder motor					MOT-005-LL-KQ-NS/BRA-LL-KQ						
750W 3000rpm 2.39Nm	SMG805-0075-30QBK-5LSQ	Multi-turn communication type magnetolectric absolute encoder motor					MOT-005-LL-KQ-NS						
1KW 1000rpm 10Nm	SMG130D-0100-10MAK-4LKG	Single-turn communication magnetolectric encoder aviation socket motor	FD425-PF-000	FD425-EF-000	FD425-CF-000	FD425-LF-000	MOT-005-LL-KG1-NS	ENCDG-LL-GG0 ENCDG-(4)-GU-BT5 BAT-FD5					
1KW 2000rpm 5Nm	SMG130D-0100-20MAK-4LKG	Single-turn communication magnetolectric encoder aviation socket motor					MOT-005-LL-KG1-NS						
1.5KW 2000rpm 7.7Nm	SMG130D-0150-20MAK-4LKG	Single-turn communication magnetolectric encoder aviation socket motor					MOT-008-LL-KG1-NS						
2KW 2000rpm 10Nm	SMG130D-0200-20MAK-4LKG	Single-turn communication magnetolectric encoder aviation socket motor					MOT-008-LL-KG1-NS/BRA-LL-MG						
1.5KW 2000rpm 7.7Nm	SMG130D-0150-20MBK-4LKG	Single-turn communication magnetolectric encoder aviation socket motor					MOT-005-LL-KG1-NS						
2KW 2000rpm 10Nm	SMG130D-0200-20MBK-4LKG	Single-turn communication magnetolectric encoder aviation socket motor					MOT-005-LL-KG1-NS/BRA-LL-MG						
1.5KW 1000rpm 15Nm	SMG130D-0150-10MAK-4HKG	Single-turn communication magnetolectric encoder aviation socket motor					FD435-PA-000		FD435-EA-000	FD435-CA-000	FD435-LA-000	MOT-008-LL-KG1-NS	ENCDG-LL-GG0
2KW 2000rpm 10Nm	SMG130D-0200-20MAK-4HKG	Single-turn communication magnetolectric encoder aviation socket motor										MOT-015-LL-KG1	
3KW 2000rpm 15Nm	SMG130D-0300-20MAK-4HKG	Single-turn communication magnetolectric encoder aviation socket motor										MOT-008-LL-KG1-NS/BRA-LL-MG	
2KW 2000rpm 10Nm	SMG130D-0200-20MBK-4HKG	Single-turn communication magnetolectric encoder aviation socket motor										MOT-005-LL-KG1-NS	
3KW 2000rpm 15Nm	SMG130D-0300-20MBK-4HKG	Single-turn communication magnetolectric encoder aviation socket motor										MOT-005-LL-KG1-NS/BRA-LL-MG	
1.5KW 1000rpm 15Nm	SMG130D-0150-10MAK-4HKG	Single-turn communication magnetolectric encoder aviation socket motor										MOT-008-LL-KG1-NS	

注: 1. ●When the driver drives the brake device, an external DC24V/2A relay is required;
 2. ENCDG-(4)-GU-BT5 and BAT-FD5 can be replaced by ENCDG-(4)-GU-BT (The cable of the battery of the multi-turn communication absolute encoder motor, the cable length is 40CM) .
 3. FDXS-EX-000 pending

Chapter 2 Servo system installation requirements and notes

2.1 Installation of drive

2.1.1 Installation requirement

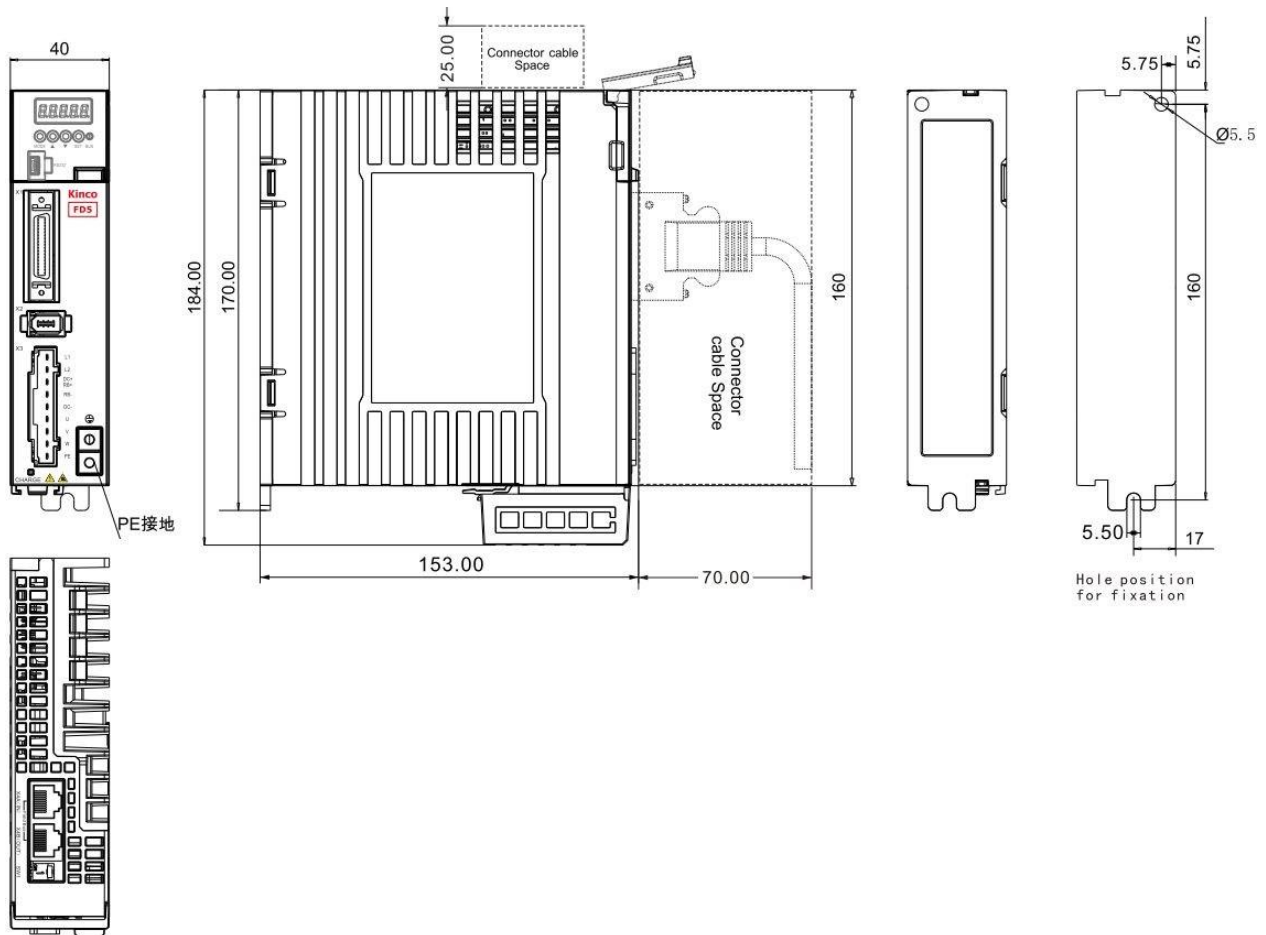


Figure2-1 FD425-□A Product installation drawing

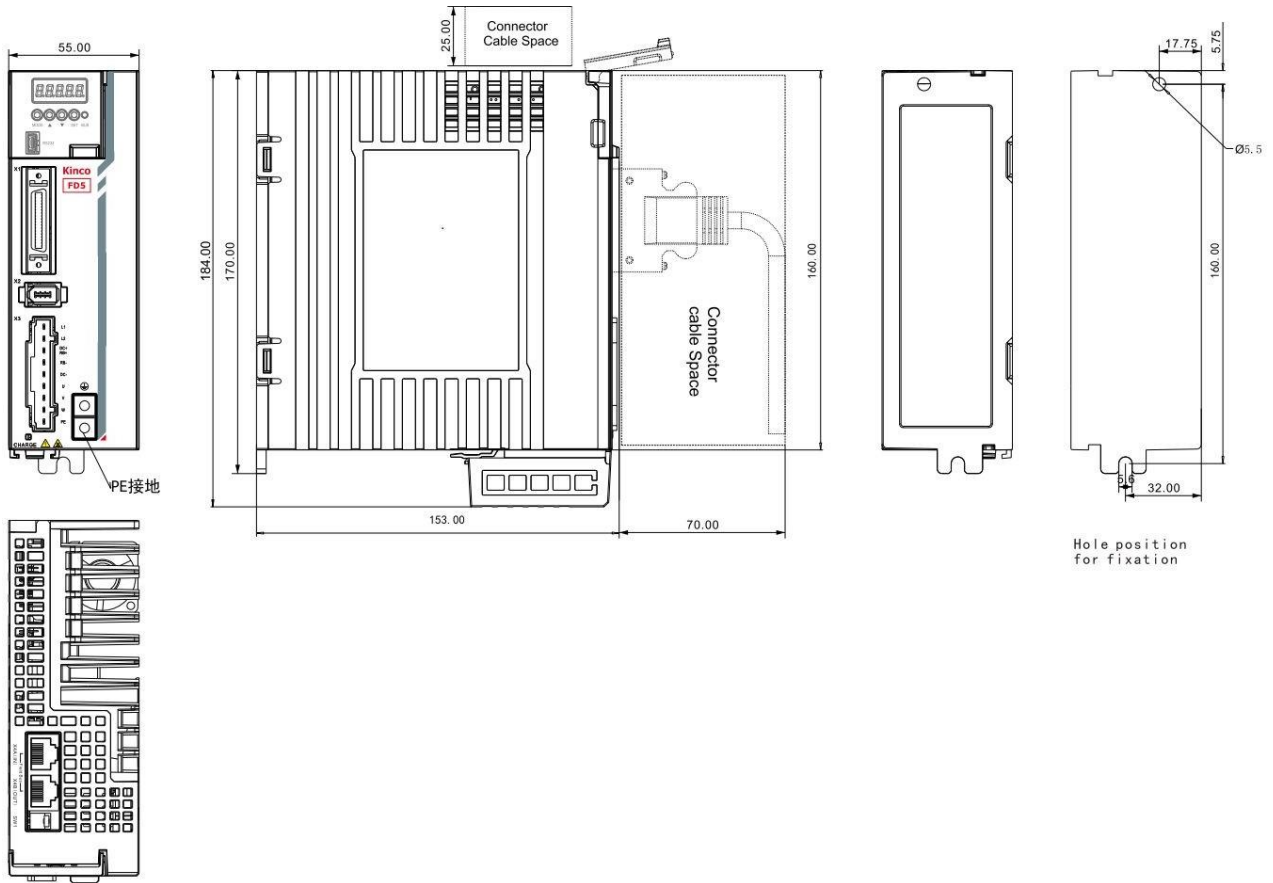


Figure 2-2 FD425-□F(1000W) Product installation drawing

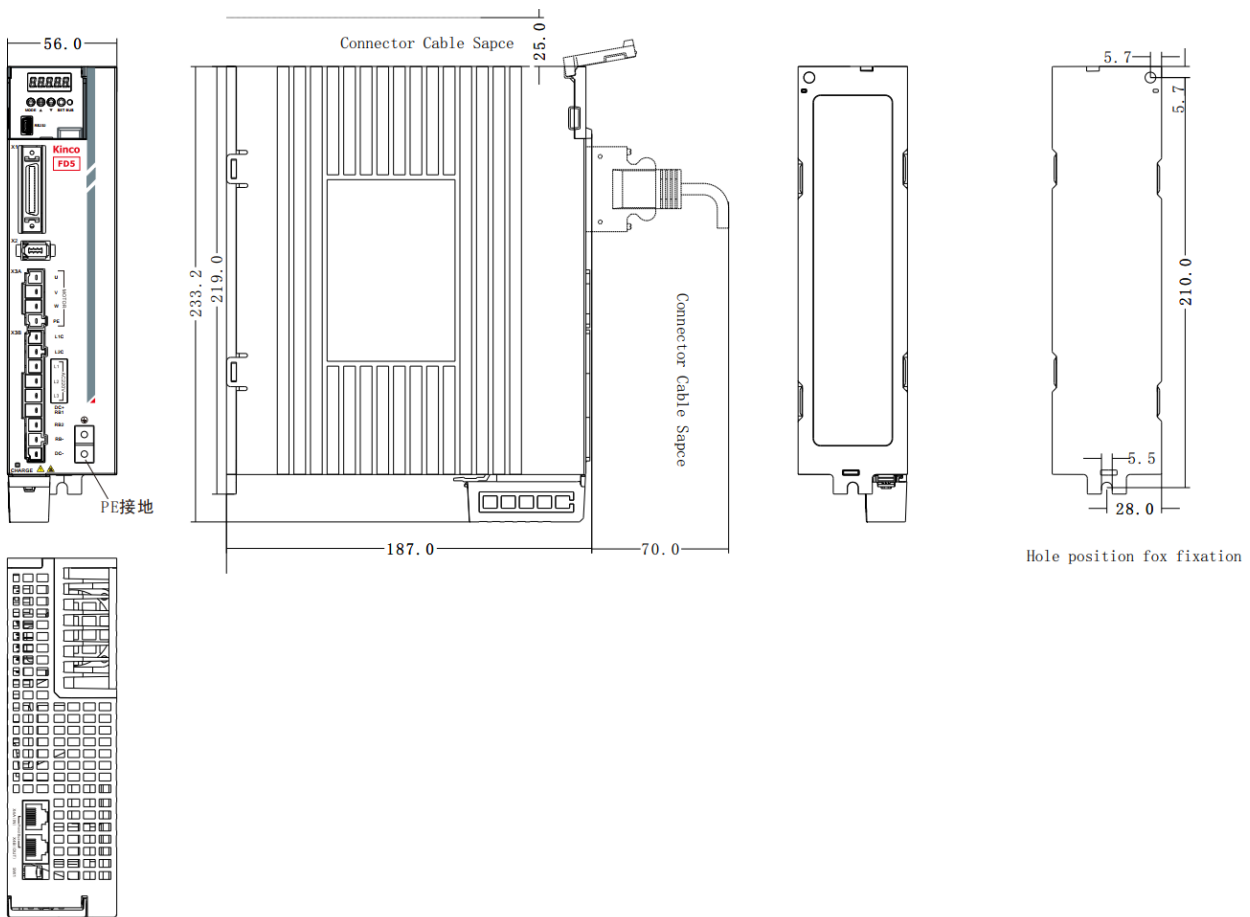


Figure 2-3 FD435-□A Product installation drawing

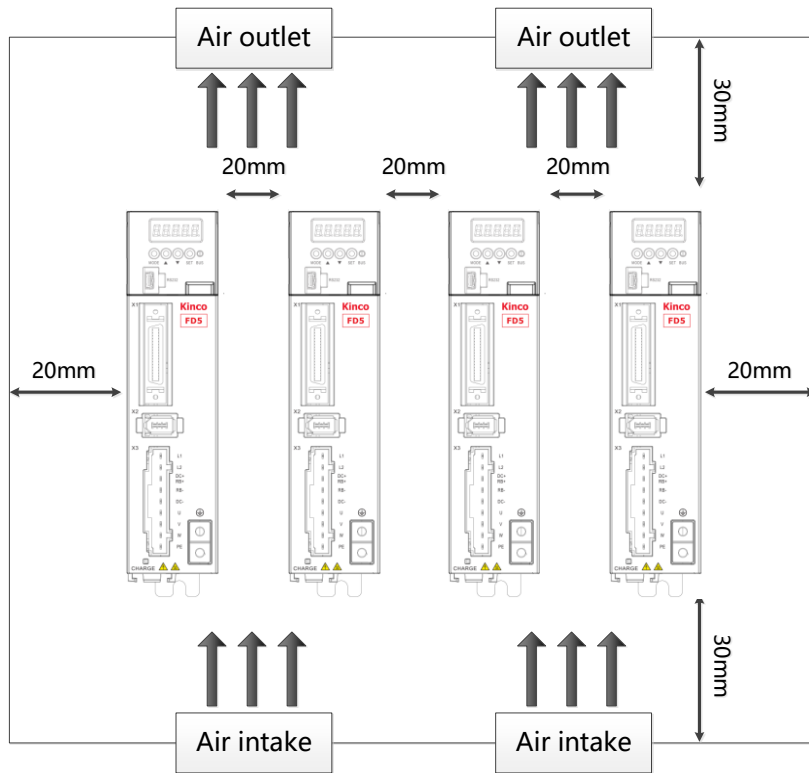


Figure 2-5 FD425 Installation direction and requirement

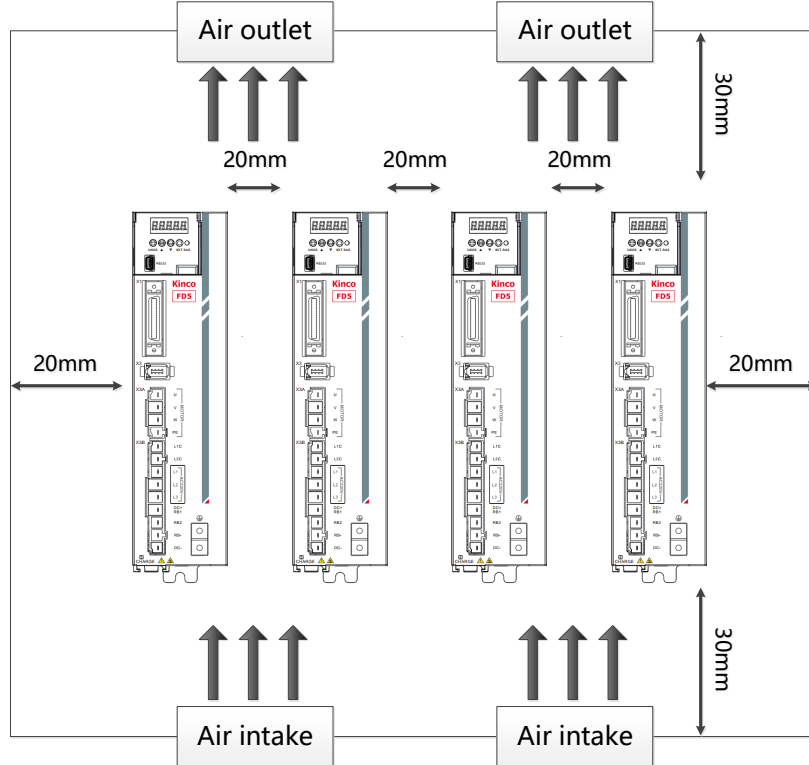


Figure 2-6 FD435/625 Installation direction and requirement

**Danger!**

- **Please make sure that the drive is installed securely and the screws are tightened to prevent the drive from falling and hurting people during use.**
- **Beware of electric shock :**
The power cable must be installed to the plug (X3).
Turn off the power when connecting cables.
Touching live parts can cause serious injury and possibly death.
- **When using this product, it must be installed in the electric box, and all protective measures have been activated.**
- **In the event of maintenance, repair, cleaning work and longtime shutting down, beware before touching live parts:**
 - Turn off power to electrical equipment with the power switch and prevent it from turning on again
 - After the power is turned off, check the indicators on the front panel of the unit. If the light is off, you can touch the drive.
 - When installing, avoid any foreign objects entering the servo drive. Conductive or combustible foreign objects such as screws, metal chips, etc. entering the servo drive may cause fire and electric shock.
 - For safety reasons, please do not use damaged servo drives and servo motors.
 - Drive and motor power cables, brake cables and encoder cables must be fixed and not stretched excessively.
 - The servo drive must be grounded.

2.1.3 Drive usage requirements

- Please ensure that this document is provided to design engineers, installers, and persons responsible for commissioning and using machine or system of this product.
- Please ensure that the requirements of this document are always followed. And please consider the instructions for other components and modules connected to this product.
- Please consider local legal requirements, as well as:
 - Regulation and standards
 - Regulations for testing organizations and insurance companies
 - National standard specification

Transportation and storage requirements

- Please ensure that the product is not overburdened during transportation and storage, including
 - Mechanical load
 - Temperature that exceeding the limit value
 - Moisture

—Corrosive gases

- Please use the original packaging for storage and transportation, the original packaging provides sufficient protection to avoid common problems.

Environmental conditions

Table 2-1 Environmental requirements

Environment	Conditions
Working Temperature	0°C ~ 40°C (No ice)
Working Humidity	5 ~ 95%RH (No condensation)
Storage Temperature	-10°C ~ 70°C (No ice)
Storage Humidity	5~95%RH (No condensation)
Protection Level	IP20
Install requirement	No sun and rain, no corrosive gas, no flammable gas, no oil and gas, dry and dust-free, and well ventilated (such as electrical cabinets)
Altitude	There is no power limit when the altitude is below 1000m. When the working altitude is above 1000m, the power usage needs to be reduced by 1.5% for every 100m rise.
Vibration	Under 5.9m/s ² 10~60Hz (Do not connect at the resonance point)

Technical requirements

In order to use the product correctly and safely, the following requirements should be always observed:

- Operation of the product in accordance with the relevant safety regulations is permitted only if the connection and environmental conditions specified in the product technical data and the technical requirements of all other connected components comply with the product specifications.
- Please follow the instructions and read warnings in this document carefully.

Operator requirements

- This product may only be operated by an electrical engineer familiar with the following regulations:
 - Installation and operation of electrical control systems
 - Applicable regulations for safe operation of engineering systems
 - Applicable regulations for accident prevention and occupational safety
 - User manual for the product

2.2 Servo motor installation

2.2.1 Installation requirements



Danger!

- Please install it indoor of no rain and direct sunlig
- Please do not use this product in the corrosive environment (Hydrogen sulfide, Sulfurous acid, Chlorine, Ammonia, Sulfur, Chlorinated gas, Acid, Alkaline, Salt, etc), flammable gas, combustible and etc.
- Occasion (without Grinding fluid, Oil mist, Iron powder, cutting and etc.)
- Occasion (good ventilation, no Moisture, oil and water, no heat source such as stove.)
- Occasion which is easy to be checked and cleaned.
- Occasion without vibration.
- Please do not use motor in the closed environment.
- For installation spacing, please follow the requirements of this manual. Using life of motors depend on working environment.
- Please use screws with washers when installing the motor on the flange, otherwise the paint on the surface of the motor may be scratched off.

2.3.2 Environment conditions

Table 2-2 Environment conditions

Environment	Conditions
Working Temperature	-20°C ~ 40°C (no ice)
Working humidity	Under 90%RH (no condensation)
Storage temperature	-20°C ~ 70°C (no ice)
Storage humidity	5 ~ 95%RH (no condensation)
Vibration	Running: less than 49m/s ² (5G)、Stopping: less than 24.5m/s ² (2.5G)
Collision	Less than 98m/s ² (10G)
Protection level	IP65, shaft end: IP54 (Shaft end with oil seal: IP54, without oil seal: IP50)
Altitude	Highest altitude: 4000m, When the working altitude is above 1000m, the power usage needs to be reduced by 1.5% for every 100m rise.

2.3.3 Precautions

Table 2-3 Precautions

Item	Description
Anti-rust	Please wipe anti-rust agent on the motor's shaft and then make some anti-rust treatments.
Installation	<p>Improper installation method will cause damage of motor's encoder. Please note the following during the installation process:</p> <ul style="list-style-type: none"> ◆ When operators installation pulleys on the servo motor shaft with key, it is necessary to use screw hole. In order to install pulleys, operators need to insert double-headed nail into screw holes and use washers on the surface of coupled end. Then use nuts to fix into pulleys gradually. ◆ For servo motor shaft with keys, Operator need to use screw hole on the shaft to install. For motors shaft with no key, operators need to use friction coupling or other analogous methods. ◆ When operators need to disassemble pulleys, operators need to use pulley remover so as to make shaft avoid strong impact of load. ◆ In order to make it more safe, it is necessary to install protection cover or some analogous equipment in rotation area. For example, pulleys installed on the shaft.
Centering	◆ When it is connected with machine, please use coupling and make shaft center of servo motor and machine stay in a line. When operators install servo motors, please achieve requirements of centering accuracy. If centering is not accurate, there will be shock and sometimes it will make bearings and encoders
Install direction	◆ Servo motors can be installed in vertical or horizontal direction.
Oil and water solution	<p>When it is used in the occasion with drops, please use after make sure protection level of servo. When oil will drop into shaft penetrating part (beside shaft penetrating part, please choose servo motors with oil seal. The using condition of servo motors with oil seal:</p> <ul style="list-style-type: none"> ◆ Make sure the oil level is lower than month of oil seal. ◆ Please use when oil seal make sure that oil splash degree is good. ◆ When servo motors are installed in vertical upward direction, please avoid oil accumulating in the month of oil seal. <p>The motor bearing has its own double-sided dustproof effect, and the assembly of the oil seal will increase the loss of the motor, resulting in a decrease in the efficiency of the motor. If it is not a place where oil seals must be installed, it is not recommended to install oil seals. Before assembling the oil seal, please ensure that the installation holes and the oil seal are free of debris, oil, dust, etc. When assembling, please fill the oil seal sealing lip with high-temperature grease (recommended to use Great Wall's HP-R grease, with a temperature resistance of 180 degrees). Strengthen the performance of lubrication and temperature resistance and increase the sealing and waterproof effect of the oil seal. When paying attention to water and oil resistance, the side of the oil seal with the self-tightening spring (that is, the side with the groove) is installed towards the motor. Please refer to the following steps to install the oil seal correctly.</p>

Cable	Please do not make cable bending or pull the cable. When using it, please do not make it too tight.
Connector	<p>In terms of connectors, please note the following:</p> <ul style="list-style-type: none"> ◆When connectors are connected. please make sure there is no foreign body such as trash or metal slices. ◆When connectors are connected into servo motors, please connect to one side of servo motor's main circuit cable and make sure ground cable of main cable connecting stably. If operators first connect one side of encoder cable, then, encoder may have some faults because of voltage difference between PEs. ◆During the process of wiring, please make sure pin arrangement is correct. ◆Connector is made of resin. Please do not add pressure to avoid damage of connectors. ◆When handling operations is done (cables are connected), please hold main body of servo motors. If operators just hold cable to handle, it may cause connectors damage or make cable cut off. ◆If operators use bend cable, please do not add pressure to connectors during the process of wiring. If pressure is added to connectors, it will cause connector damage.

Chapter 3 Installation and wiring

3.1 Drive description

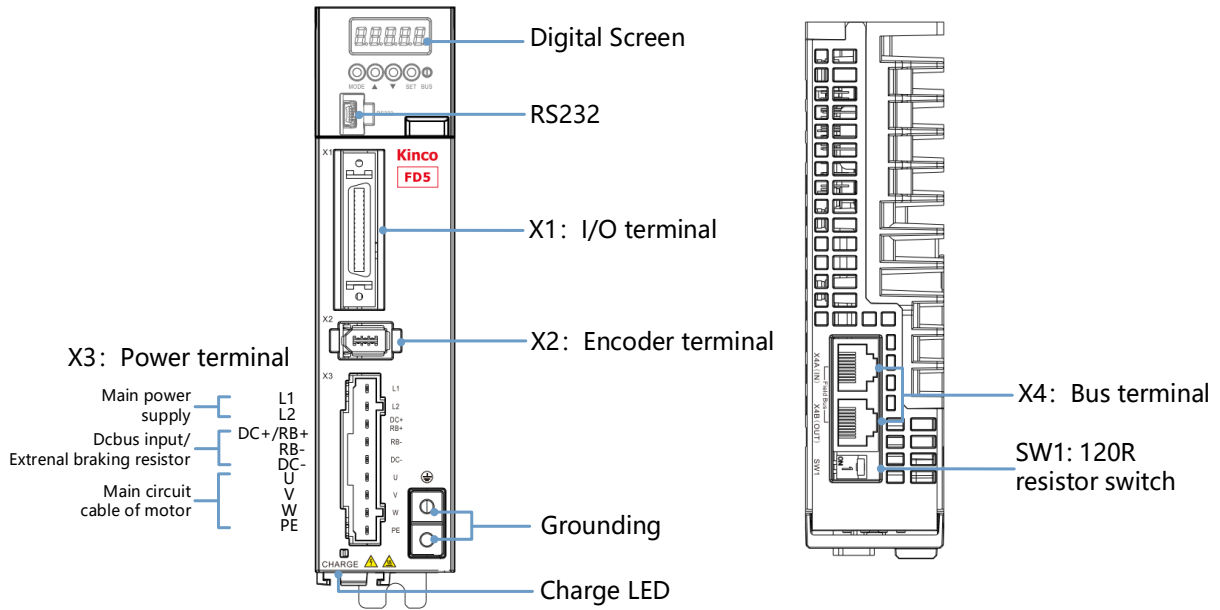


Figure 3-1 FD425 Drive appearance

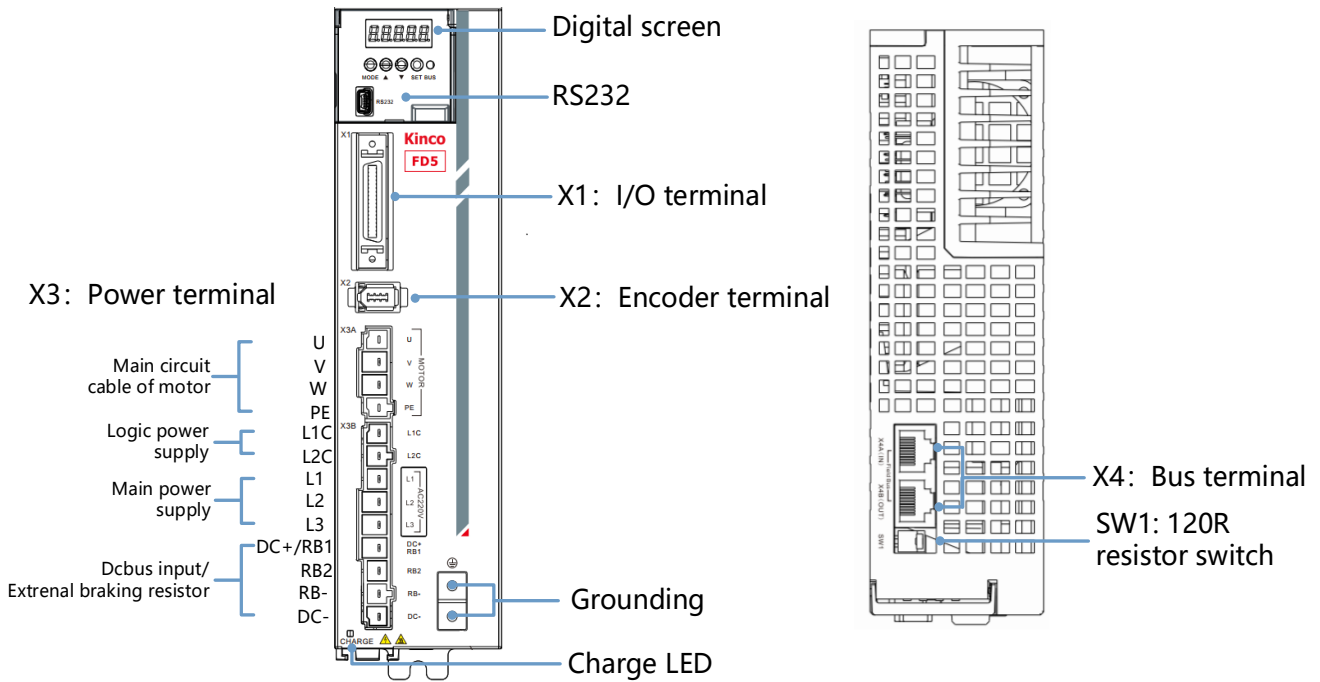


Figure 3-2 FD435/625 Drive appearance

3.2 External system connection

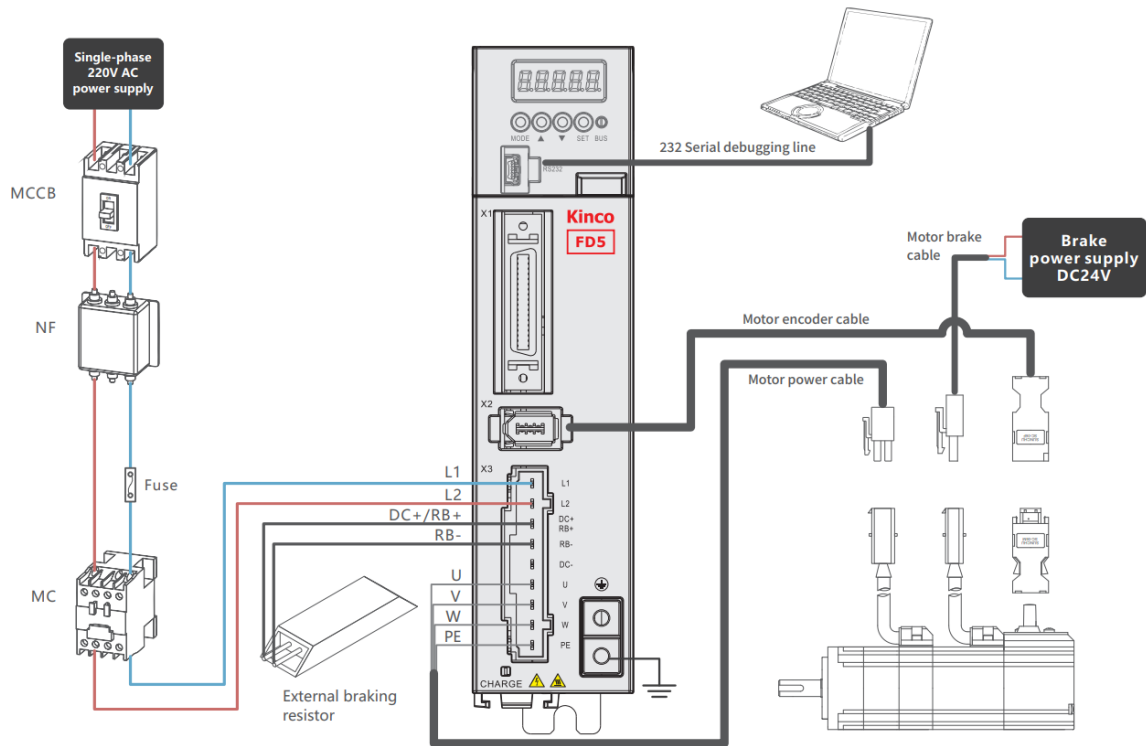


Figure 3-3 FD425 external connection

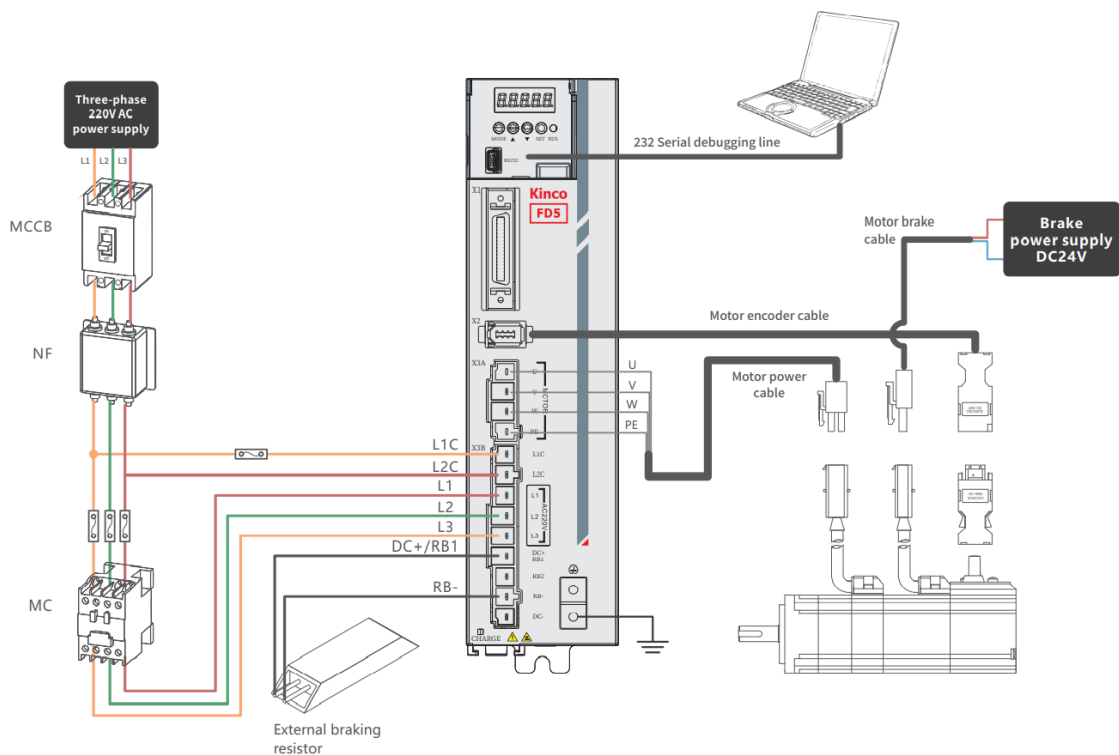


Figure 3-4 FD435 external connection

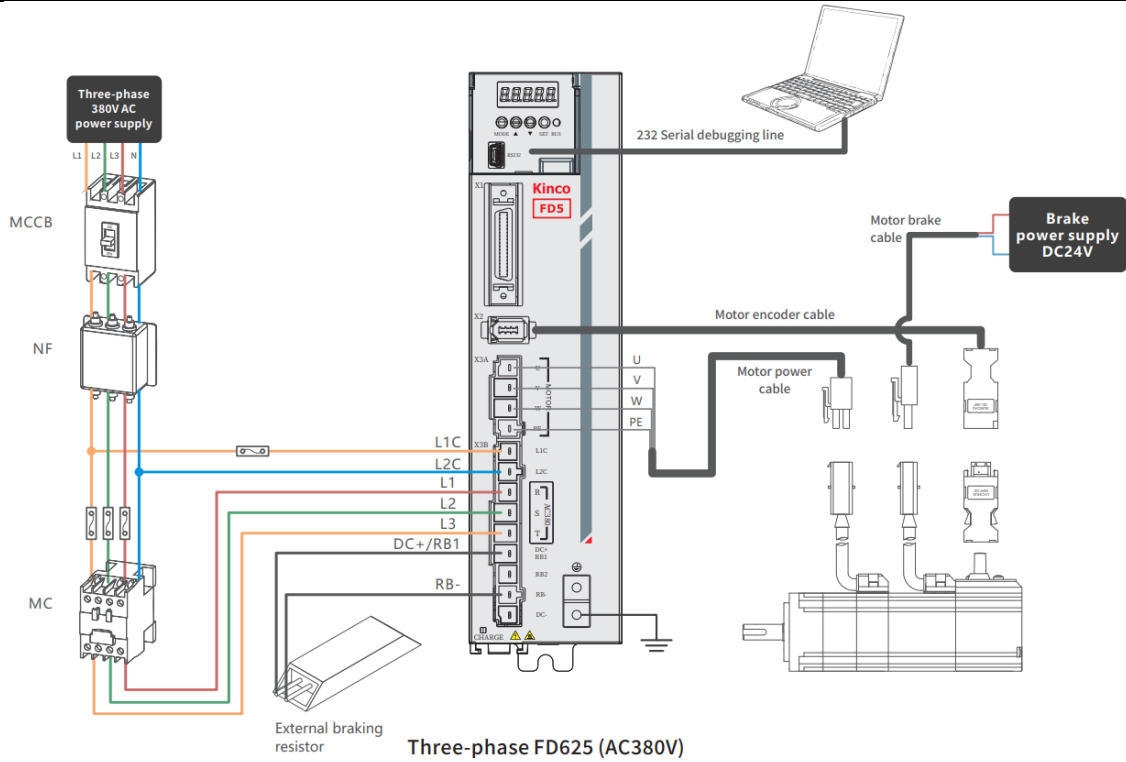


Figure 3-5 FD625 external connection

Table 3-1 External system connect introduce

Electric equipment	Function
Molded case circuit breakers (MCCB)	In the event of overcurrent, short circuit, or undervoltage, the circuit breaker automatically shuts off the power supply, thus protecting the circuit and drive equipment from damage. Note that the protection parameters that match the drive parameters are set.
Noise filter (NF)	Effectively filter out external interference and improve the anti-interference ability of power supply circuit.
Magnetic contactor (MC)	Use the air ac electromagnetic contactor to turn off the power supply and install the surge suppressor recommended by the manufacturer of the electromagnetic contactor to effectively prevent the reverse ELECTRO motive force.
CHARGE	Charging indicator light will not go out immediately after the power is cut off due to the charging capacitor in the internal circuit of the drive. Please make sure that the charging indicator is off or the voltage value of the dc bus voltage of the drive is below 36V before contacting the power terminal

Table 3-2 Recommended breaker model

Servo drive models	Recommended breaker		
	Models	Specifications	Manufacturer
FD425-□A	NXBLE-32-2P-C6	230V~(1P+N、2P), 6A	CHNT
FD425-□F(1000W)	NXBLE-32-2P-C10	230V~(1P+N、2P), 10A	
FD435-□A	NXBLE-32-2P-C20	230V~(1P+N、2P), 20A	
FD625-□A	NXBLE-32-4P-C16	400V~(3P、3P+N、4P), 16A	

Table 3-3 Recommended noise filter

Servo drive models	Recommended noise filter		
	Model	Specifications	Manufacturer
FD425-□A	TY440S-6	Single phase 120/250VAC, 6A	Tyze
FD425-□F(1000W)	TY440S-10	Single phase 120/250VAC, 10A	
FD435-□A	TY440S-16	Single phase 120/250VAC, 16A	
FD625-□A	TY360S-10	Three-phase 250/440VAC, 10A	

Table 3-4 Recommended magnetic contactor

Servo drive models	Drive voltage	Recommended contactor	
		Contactors models	Manufacturer
FD425-□A	220V	CJX2-09	CHNT
FD425-□F(1000W)	220V		
FD435-□A	220V		
FD625-□A	380V		

**Danger!**

- FD435/FD625 drives are factory-configured with short wires connected to DC+/RB- and RB2, indicating the use of internal braking resistors (FD435 built-in 100Ω/20W; FD625 built-in 300Ω/20W). When the braking power exceeds the tolerable range of the internal braking resistor, the drive will alarm the braking resistor to be abnormal and display "0100". When the actual braking power exceeds the limit power, please disconnect the short circuit before connecting the external braking resistor. For the selection of external braking resistor, please refer to Appendix 1.
- It is forbidden to connect the power cable to the UVW terminal, and it is forbidden to connect the external braking resistor to the DC+(RB+) and DC- terminals. Before the drive is powered on, please check again whether the wiring is correct.
- There may be high voltage remaining in the drive after the power is cut off. Please confirm that the CHARGE indicator has gone out ten minutes after the power is cut off before overhauling the drive.
- The drive has a built-in dynamic braking circuit, which provides braking resistance through the internal resistance of the motor, which can effectively shorten the braking distance when the motor stops in an emergency.
- Do not drag the motor to run at high speed under the condition of power cut-off, the back electromotive force generated when the motor rotates will cause damage to the drive or motor.

3.2.1 Wiring connection mode

Servo system connection refer Table 3-2. If the power cable is too long, the wire diameter needs to be increased appropriately.

Table 3-5 power port wiring specification table

Product model	FD425-□A/FD425-□F	FD435-□A	FD625-□A
Power cable diameter	Diameter: 18~14AWG 0.8~2mm ² Stripping length: 8-10mm	Diameter: 14~12AWG 1.75~3.3mm ² Stripping length: 7-8mm	Diameter 15~12AWG 1.5~3.3mm ² Stripping length 7-8mm
IO diameter	Diameter 26~22AWG, 0.13-0.3mm ² , Stripping length 2mm		

In order to ensure the stable and safe use of the product, the following matters should be paid attention to when wiring the drive:

- ◆ Pay attention to the fixation of the cable during the assembly process, and do not apply stress to the connector, otherwise the connector may be damaged.
- ◆ For the motor power line and encoder line, please use the cables provided by the manufacturer, calculate the connection distance of the equipment, and choose the shorter cables as possible.
- ◆ The bending radius of the cable should be more than 5-10 times of the wire diameter to prevent the inner core of the cable from breaking after long-term use. The cable should avoid tension during use, and flexible cables should be considered in some drag chain applications.
- ◆ Usually, the wiring should be 8A/mm² according to the output current of the drive. When the power cable is longer than 30 meters, the wire diameter should be increased.
- ◆ Keep an interval of more than 30cm between power cables and signal cables. Avoid parallel laying as much as possible. Do not lay power cables and signal cables in the same slot or bundle them together.

3.2.2 Drive anti-interference measurements

The high-frequency interference generated by the switching circuit in the drive will cause the failure of sensitive circuits. Configuring a noise filter and earthing can effectively avoid equipment failure caused by noise current, in order to minimize the impact of noise interference. .

(1) Noise filter

- Install a noise filter close to the power input side of the servo drive, and take grounding measurement for the filter;
- The drive and filter are installed in the same metal backplane (electro-galvanized steel sheet) and the metal backplane is well grounded;
- Install surge suppressors on the coils of relays and electromagnetic contactors to prevent damage to equipment from peak current and voltage;
- Please do not share the power supply with welding machines, lasers, etc.

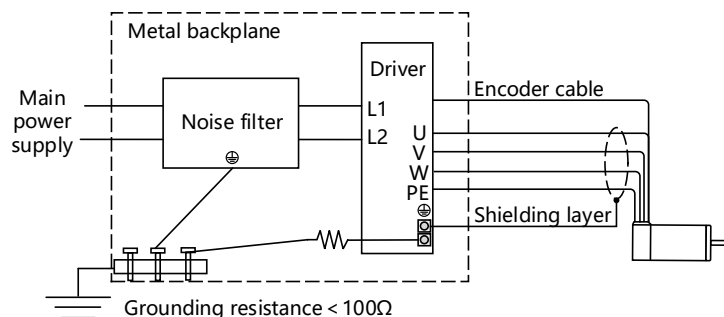


Figure 3-6 noise filter connection

(2) Drive grounding

- Be sure to ground the drive, otherwise there is a risk of electric shock or interference affecting the performance of the drive;

- When using multiple servo drives, do not connect the ground wires of multiple drives in series, and use a single-point grounding method;
- The drive should be grounded with the shortest and thickest possible cable ($>2\text{mm}^2$). If the ground wire is long, the diameter of the ground wire should be increased ($\geq 4\text{mm}^2$) to ensure that the grounding resistance is less than 100Ω ;

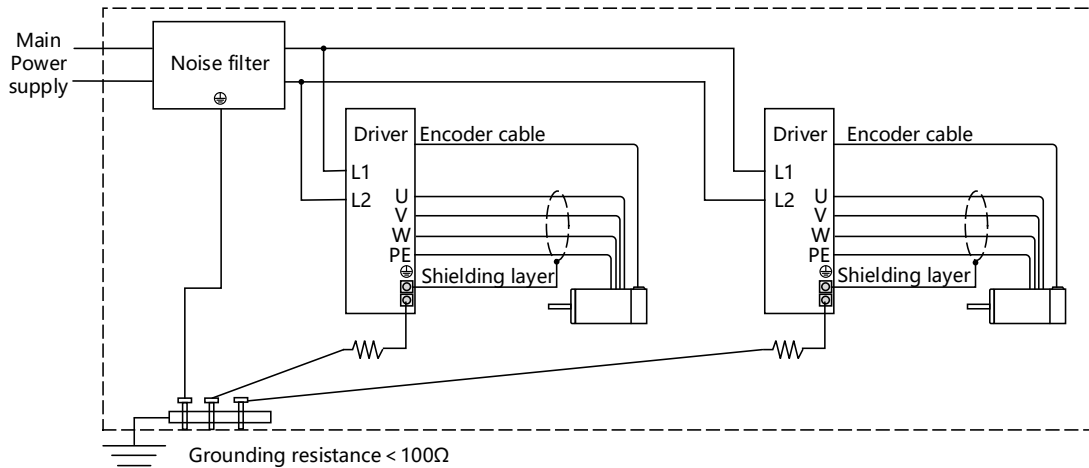


Figure 3-7 Grounding measurement of multiple drives

- In order to suppress interference as much as possible, twisted pair cables with shielded nets can be used for power lines, encoder lines, and IO control lines, but the shielding layer must be properly grounded;

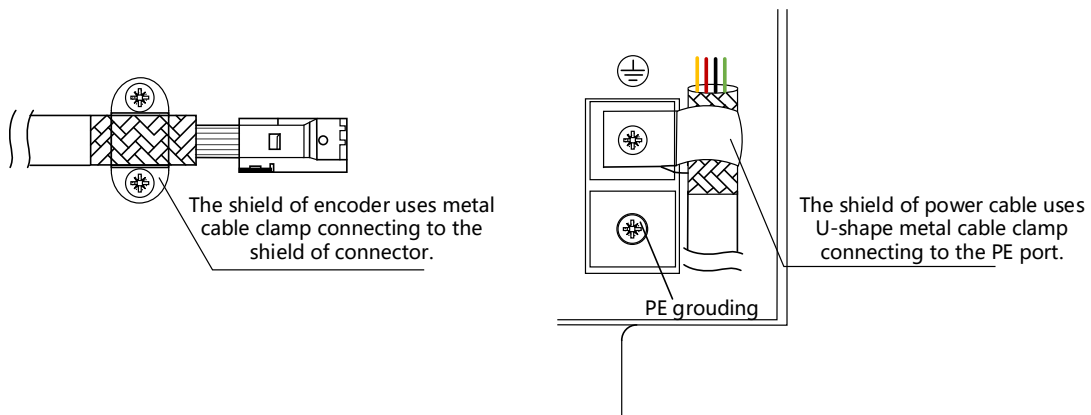


Figure 3-8 Grounding measurement for shield

3.2.3 DC bus

The braking energy generated during motor operation will be fed back to the drive bus capacitors, causing the drive bus voltage to rise. Under the condition that the multi-axis control is asynchronous (part of the motor is electric, part of the motor is braked), the common DC bus can keep the drive bus voltage more stable and realize the full utilization of energy. Note that when using a common DC bus, each drive should still refer to Chapter 3.2 External System Connection for normal wiring.

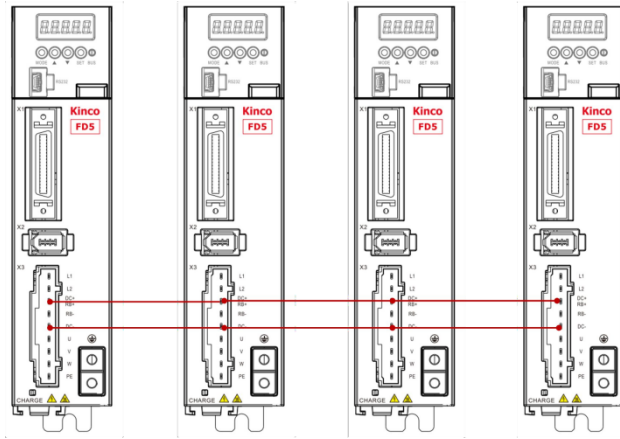


Figure 3-9 FD425 DC bus

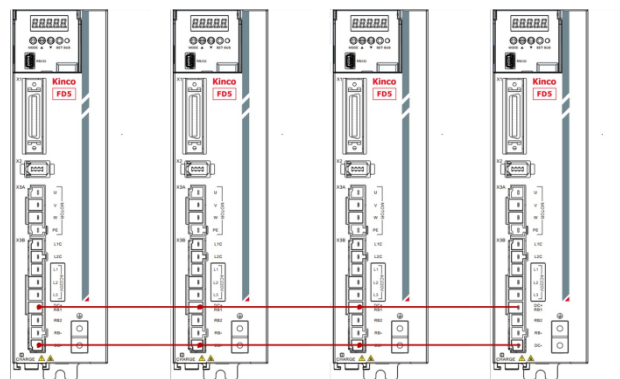


Figure3-10 FD435/FD625 DC bus

3.3 RS232 serial port

Table 3-6 RS232 serial port

	Pin number	Pin definition	Function
	3	TX	Drive sending data
	5	GND	Signal Ground
	2	RX	Drive receives data

Table 3-7 RS232 Communication wiring

Drive RS232 Header pin definition	Drive side pin name	Drive side pin number	PC side signal name	PC side serial port pin number	PC side pin definition
	TX	3	Receive data (RXD)	2	
	RX	2	Send data (TXD)	3	
	GND	5	Signal ground(GND)	5	

Users can purchase the FD5 drive Mini-usb 5p to DB9 female RS232 cable (Kinco order number: PDC-

USB-1(5)) If your computer does not have an RS232 serial port, you will also need to use a USB to DB9 serial cable to connect.



Figure 3-11 FD5 Drive 232 debug cable

i

- Purchase link of Kinco official Tmall store:
<https://detail.tmall.com/item.htm?spm=a212k0.12153887.0.0.4d7c687deB8shy&id=652422874770&skuId=4707119953745>

3.4 External input and output connection (X1)

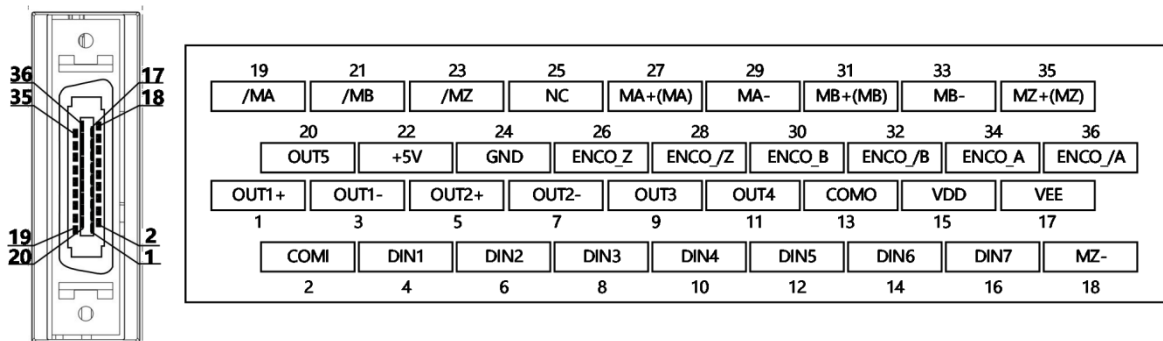


Figure 3-12 FD5-LA/CA drive external input and output terminal pin diagram

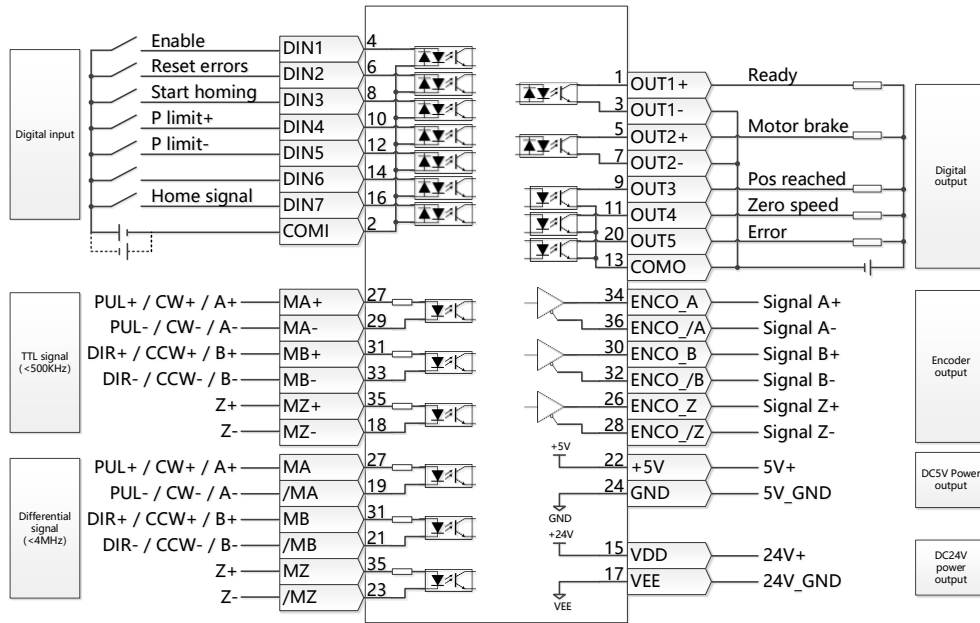


Figure 3-13 FD5-LA/CA Default definition of IO port of FD5-LA/CA drive

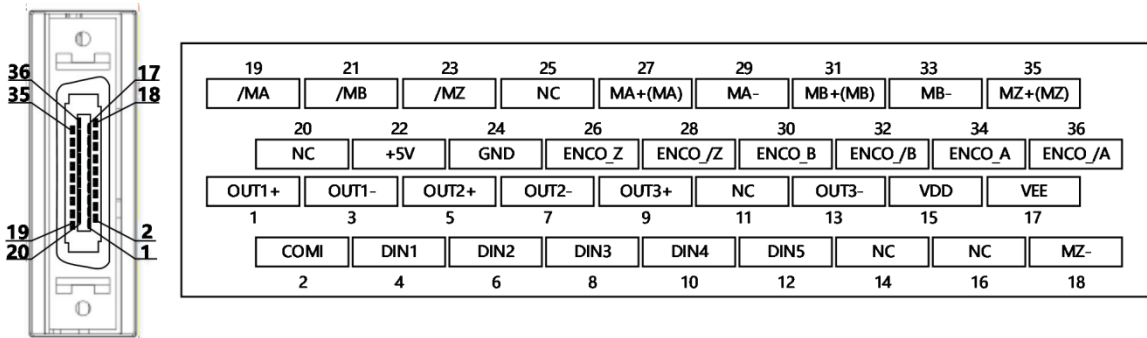


Figure 3-14 FD5-PA drive external input and output terminal pin diagram

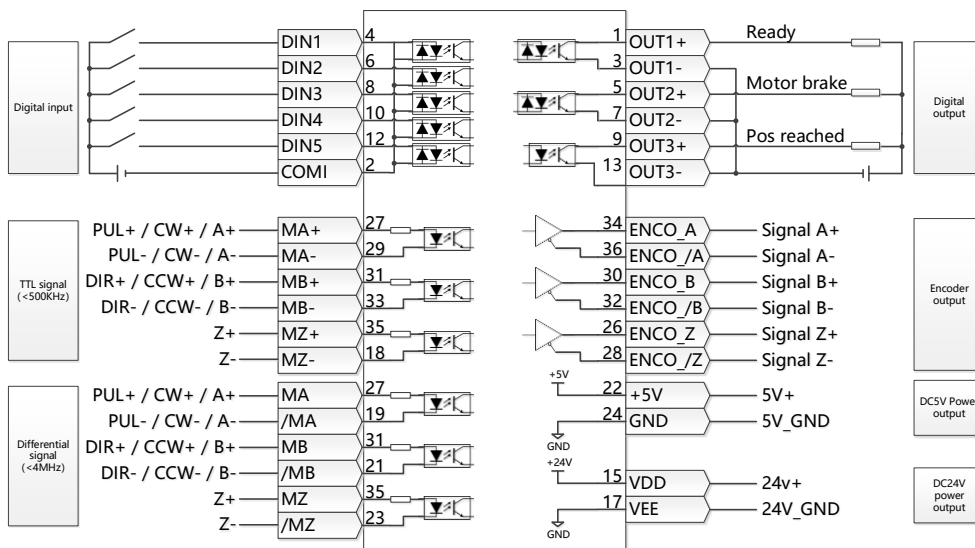


Figure 3-15 FD5-PA Default definition of IO port of FD5-LA/CA drive

**Attention**

- Figure 3-8 shows the X1 wiring of the default IO function of the FD5-LA/CA drive, and Figure 3-10 shows the X1 wiring of the default IO function of the FD5-PA drive. , More IO functions could be set by the digital panel or host computer debugging software. Check Chapter 5 5.5 for details of IO functions.
- Compared with the FD5-LA/CA drive, the FD5-PA drive has fewer IO ports of DIN6 and DIN7, OUT4 and OUT5.

Table 3-8 Pin definition of external IO terminals

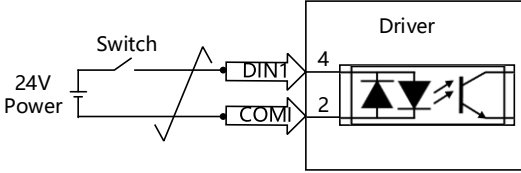
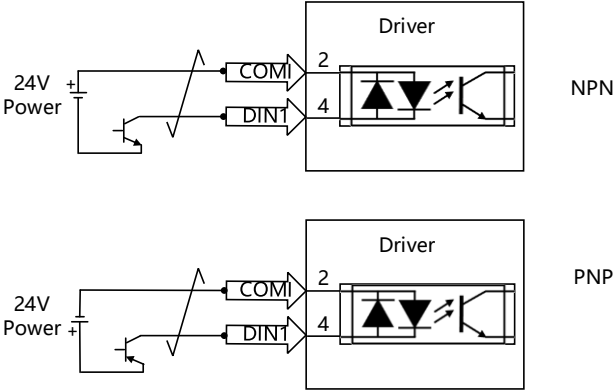
Pin number	Signal ID	Signal name	Specifications
1	OUT1+	Differential output	Open collector output MAX voltage DC30V MAX current 100mA
3	OUT1-		
5	OUT2+		
7	OUT2-		
9	OUT3	Single-ended output	MAX voltage DC30V MAX current 30mA
11	OUT4*		
20	OUT5*		
13	COMO	OUT3, OUT4, OUT5 output port common terminal	Digital output port common terminal
15	VDD	Internal 24V power output	Internal 24V power output Voltage range +/-20%, MAX current 200mA
17	VEE		
2	COMI	Signal input port common terminal	Digital input port common terminal
4	DIN1	Digital signal input	High level: 12.5V-30V Low level: 0-5V MAX input frequency: 1KHz
6	DIN2		
8	DIN3		
10	DIN4		
12	DIN5		
14	DIN6*		
16	DIN7*		
19	/MA	Differential signal: MA,/MA,MB,/MB,MZ,/MZ MAX supported frequency 4MHz, Voltage range DC 3.3-5V	MA, MB, MZ, MA/, MB/, MZ/ RS422 differential signal input that supports 5V, the maximum pulse frequency is 4MHz, and the signal type is optional: ①Pulse+Direction (PLS+DIR) ②Forward and reverse pulses (CW/CCW) ③A+B phase
21	/MB		
23	/MZ		
27	MA+/(MA)	TTL Signal: MA+,MA- MB+,MB-,MZ+,MZ- MAX supported frequency 500KHz, Voltage range DC 3.3-30V	Pulse signal input terminal supports TTL/differential signal. Signal type optional: ①Pulse+Direction (PLS+DIR) ②Forward and reverse pulses (CW/CCW) ③A+B phase
29	MA-		
31	MB+/(MB)		
33	MB-		
35	MZ+/(MZ)		
18	MZ-		
22	+5V	Internal 5V power output	

24	GND	Encoder signal output	Output 5V A, B, Z differential signals, the frequency division output range is 0~65536; for multi-axis synchronization, the maximum output frequency is 5MHz
26	ENCO_Z		
28	ENCO_/Z		
30	ENCO_B		
32	ENCO_/B		
34	ENCO_A		
36	ENCO_/A		

*Note: Compared with FD5-LA/CA drive, the digital signal input port of FD5-PA drive lacks DIN6 and DIN7 (Pin14 and Pin16 are NC), and the digital signal output port lacks OUT4 and OUT5 (Pin11 and Pin20 are NC).

3.4.1 Digital signal input

Table 3-9 Digital input wiring example

<p>Instruction</p>	<p>Max input frequency: 1KHz High level input voltage range: 12.5-30V, Low level input voltage range: 0-5V The drive's internal 24V output can be used as a pull-up power supply</p>	
<p>Digital input wiring example① When the host computer is relay output</p>		
<p>Digital input wiring example② When the host computer is open collector output</p>		

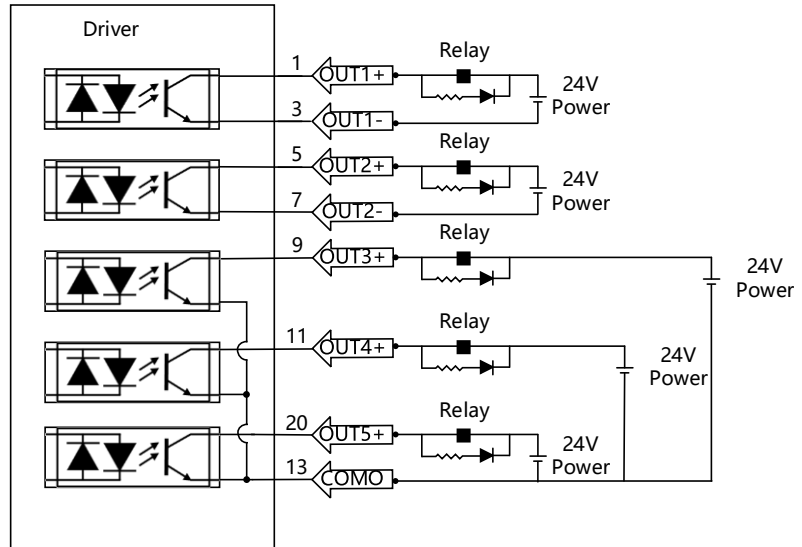
3.4.2 Digital signal output

Table 3-10 Digital output wiring example

<p>Instruction</p>	<p>OUT1/OUT2 is open collector output, MAX voltage DC30V, MAX current 100mA OUT3-OUT5 is single-ended output, MAX voltage DC30V, MAX current 30mA The drive's internal 24V output can be used as a pull-up power supply When OUT3-OUT5 use PNP wiring, only one of them can be used</p>
--------------------	--

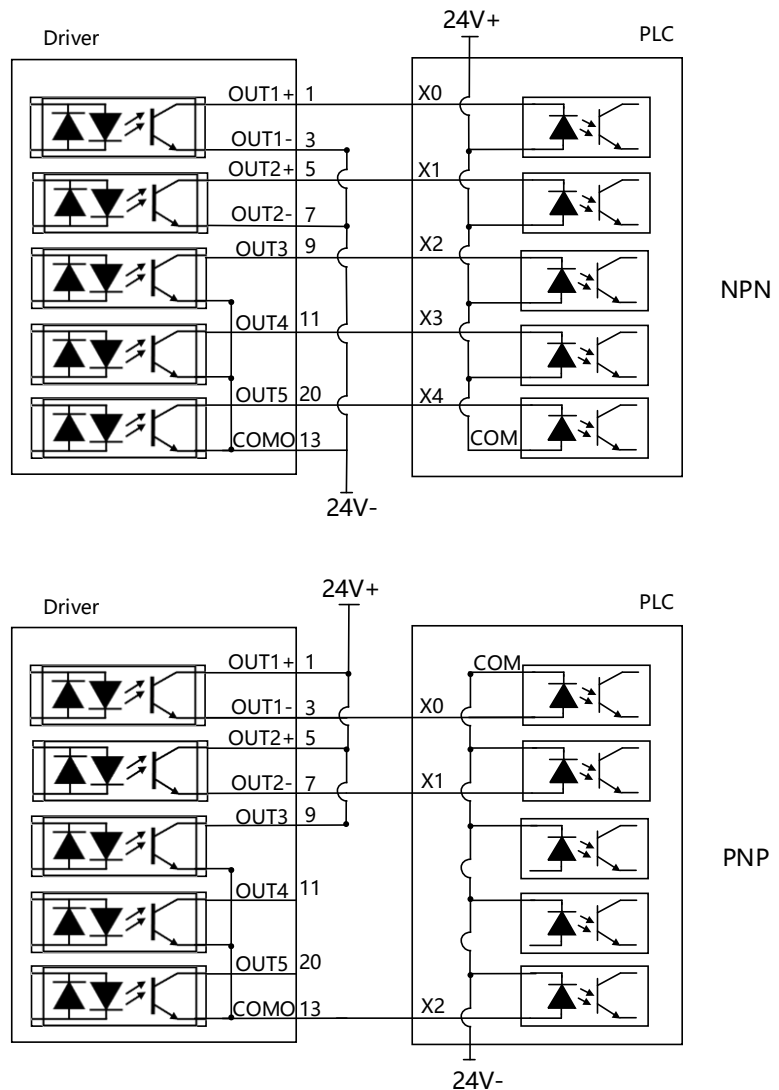
Digital input wiring example①

When the host computer is relay input



Digital output wiring example②

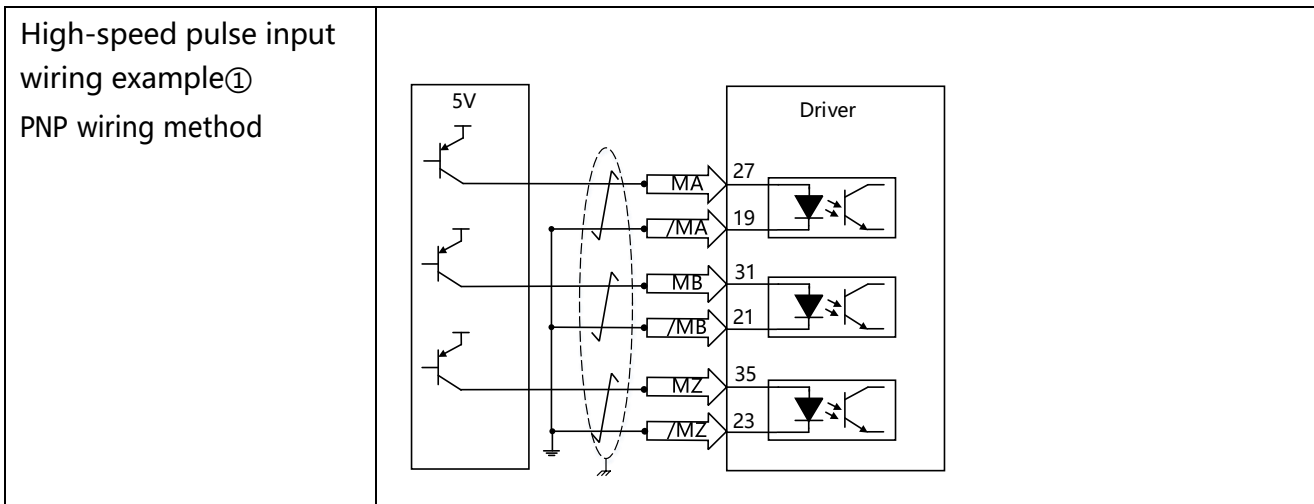
When the host computer is optocoupler input



3.4.3 Pulse command input

Table 3-11 Pulse input wiring example

<p>Instruction</p>	<p>Pulse input is divided into ordinary pulse input channel and high-speed pulse input channel High-speed pulse input channel supports RS422 differential signal, voltage range DC3.3-5V, MAX pulse frequency 4MHz Ordinary pulse input channel supports TTL/differential signal, voltage range DC 3.3-30V, maximum frequency 500KHz</p>
<p>Ordinary pulse input wiring example① NPN Wiring method</p>	
<p>Ordinary pulse input wiring example① PNP Wiring method</p>	
<p>High-speed pulse input wiring example① NPN wiring method</p>	



3.4.4 Brake connection

Table 3-12 Brake connection example

<p>Instruction</p>	<p>By default, OUT2 of the drive is the brake control port. An external relay is required to control the motor brake. The brake coil of the motor has no polarity.</p> <p>The 24V output power of the drive X1 is not enough to control the brake, and an external 24V is required as the brake power supply</p>
<p>Brake connection example</p>	

Table 3-13 Motor holding brake power

Motor model	Motor power(W)	Brake power(W)
SMC60S-0020-30□BK-3LSU	200	7.6
SMC60S-0040-30□BK-3LSU	400	7.6
SMC80S-0075-30□BK-3LSU	750	11.5
SMG130D-0100-20□BK-4LKG	1000	13.2
SMG130D-0150-20□BK-4LKG	1500	
SMG130D-0200-20□BK-4LKG	2000	
SMG130D-0150-20□BK-4HKG	1500	
SMG130D-0200-20□BK-4HKG	2000	
SMG130D-0300-20□BK-4HKG	3000	

*Note: The brake parameters of different encoder motors are the same

**Attention**

The use of the holding brake can ensure that the motor shaft can remain stationary in the state of de-enable or power-off. Please make sure that the holding brake has been opened before the motor runs. In non-emergency situations, do not use the holding brake when the drive controls the motor shaft to run at high speed. Otherwise, the brake performance will be degraded or the brake will be damaged.

3.5 Encoder input (X2)

Table 3-14 Magnetic encoder (MAK) pin definition

	Pin number	Pin name	Pin function
	1	+5V	5V power output positive terminal
	2	GND	5V power output negative terminal
	3	CLOCK+	Clock signal
	4	CLOCK-	
	5	SD	Serial data signal
	6	/SD	

Table 3-15 Optical encoder(YAK/VAK) pin definition

	Pin number	Pin name	Pin function
	1	+5V	5V power output positive terminal
	2	GND	5V Power output negative terminal
	3	-	NC
	4	-	NC
	5	SD	Serial data signal
	6	/SD	

3.6 Power port (X3)

Table 3-16 FD425 Power port instruction

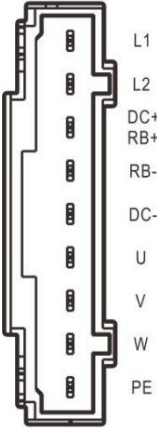
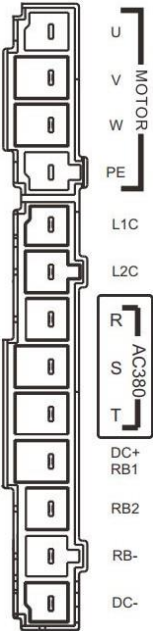
	Port	Pin name	Pin function	
	X3	L1		Drive mains power input Unidirectional line voltage 200 ~ 240VAC ±10% 50 ~ 60Hz ±3Hz, (750W 7A), (200W 3A)
		L2		
		DC+	DC+	DC bus input positive terminal
			/RB+	
		RB-		External braking resistor terminal
		DC-		DC bus input negative terminal
		U/V/W		Servo motor UVW phase line connection
		PE		Motor ground

Table 3-17 FD435 and FD625 Power port instruction

	Port	Pin name	Pin function	
	X3A	U/V/W		Servo motor UVW phase line connection
		PE		Motor ground
	X3B	L1C/L2C		Logic power input Singal-phase 200~240VAC±10%, 50/60Hz±3Hz, 0.5A
		R/S/T		FD435 power supply input: 1PH,3PH,200240VAC±10%,50/60Hz±3 HZ,14.0A FD625 power supply input: 3PH, 380-415VAC±10%,50/60Hz±3HZ,12.0A
		DC+	DC+	DC bus inpurt positive terminal
			/RB1	
		RB2		
		RB-		When using an external braking resistor, first disconnect the short-circuit wire between RB1 and RB2, and connect the external braking resistor to RB1 and RB-
		DC-		DC bus input negative terminal

3.7 Communication port input (X4)

Product model	RS485 Plug pin definition	Drive side pin name	Drive side pin number	Connecting signal to the host computer
FD425-LA-000 FD435-LA-000 FD625-LA-000		485+	5	TX+/A
		485-	4	TX-/B

Table 3-18 RS485 Communication port pin definition

Table 3-19 CAN Communication port pin definition

Product model	CAN Plug pin definition	Drive side pin name	Drive side pin number	Connecting signal to the host computer
FD425-CA-000 FD435-CA-000 FD625-CA-000		CAN_H	1	CAN_H
		CAN_L	2	CAN_L



Attention
 The FD5-LA/CA drive has a built-in terminating resistor. When the SW1 next to the X4 port is turned ON, the terminating resistor is turned on.

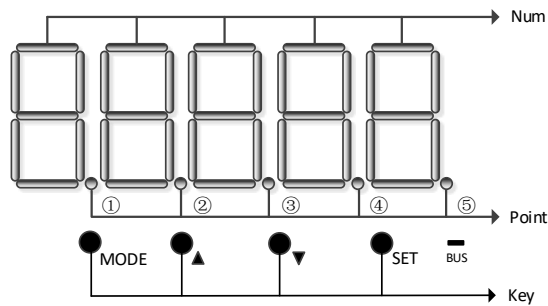
Chapter 4 Controller setup with LED panel

4.1 Panel operation

After the servo system is installed and wired correctly according to the specifications and precautions, the servo drive can be set for specific application scenarios.

Table 4-1 Panel operation instruction

Number/dot /button	Function
Dot ①	None
Dot②	Used to indicate whether the data is positive or negative. Dot2 on refers negative and off refers positive.
Dot③	When setting parameters, it is used to distinguish the current object group from the address data in the object group; When displaying the internal 32-bit data in real time, it is used to display the upper 16 bits of the current 32-bit data; Indicates that the earliest error information in the error history is being displayed when the error history record in F007 appears at the display
Dot④	When displaying and adjusting parameters in real time, it is used to indicate the data display format: HEX data when dot 4 is on and DEC data when dot 4 is off Dot 4 indicates that the latest error information in the error history is being displayed when the error history record in F007 appears at the display.
Dot⑤	Dot 5 on indicates that the data modification is confirmed successful Dot 5 on indicates that the current displayed data is internal data Dot 5 blinking means the power section of the drive is working
MODE	Switch function menu; When setting parameters, press briefly to switch the setting bit, press and hold to return to the last menu.
SET	Enter menu; Check the values of the parameters; Confirm the setting to access the next step; When the internal 32 bit data appears at the display, press and hold to switch high/low 16 bit.
▲	Press briefly increase the value slowly, press and hold increase the value rapidly; Switch data item.



P..L	Positive limit signal active
n..L	Negative limit signal active
Pn.L	Positive and negative limit signal active
FFF.F	The drive is not configured with the motor model
Blinking	Error

→ Attention

Press SET setting determining, If the panel shows **PErr** means failure setting. The reasons could be:

1. The setting value is out of the setting range of the parameter.
2. The drive is in the enabled state, the parameters cannot be changed. You need to cancel the enable state first

4.2 Panel menu structure and navigation

The following flowchart shows the main structure of the panel. The user can select single parameters, modify values and access special functions using this flow.

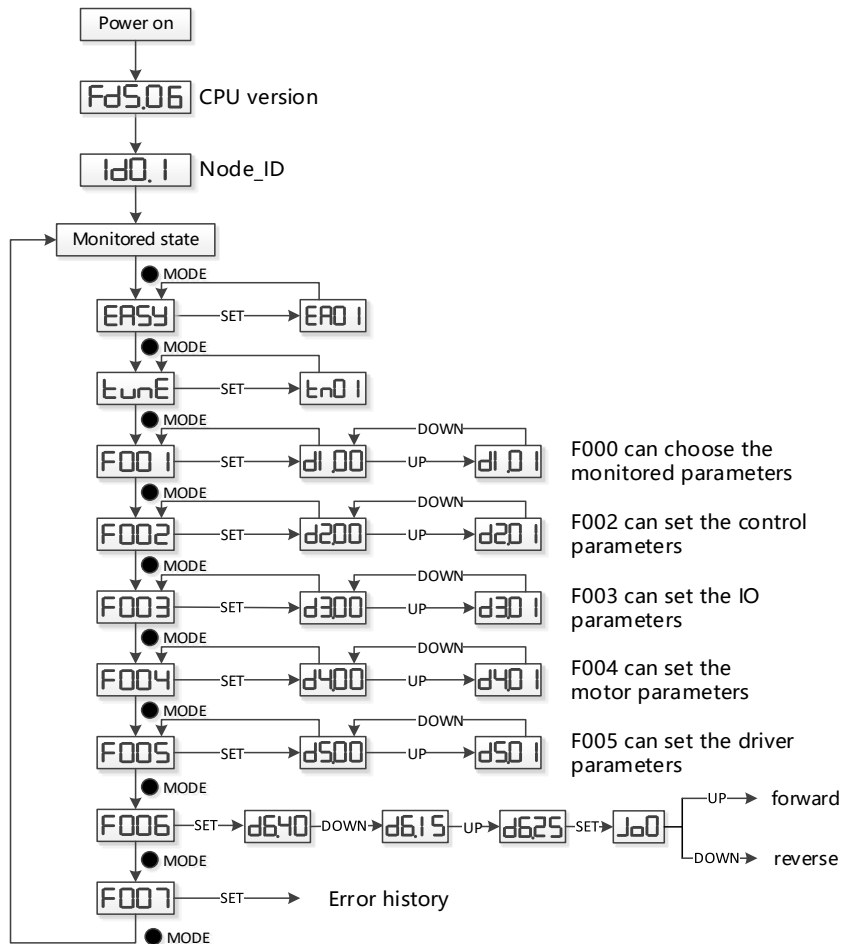


Figure 4-1 Parameters Setting

4.3 Easy Use Function

The Easy Use function helps users set up the CD3 motor controller for the main types of applications in a very short time. The LED panel guides the user step by step through the settings of the few most important parameters in order to prepare the controller for the desired application. The servo control loops of the motor controller are pre-configured to use default settings which are adequate for many applications as they are. A robust auto-tuning function can be used additionally to identify the applied mechanical system more precisely. After that, the user only needs to adjust the controller's servo performance with the stiffness parameter.

4.3.1 Setup process with Easy Use Function

The process for setting up the FD 5 motor controller with the Easy Use function follows a simple procedure.

Step 1: The parameters of the EASY panel menu have to be accessed and confirmed, or set one by one. The auto-recognized motor type can be confirmed, the control interface has to be selected, interface-related main parameters have to be set and the mechanical- and control-application types must be chosen. Afterward, these parameters have to be saved and the controller has to be rebooted. As a result of these settings, the controller is configured for a suitable I/O setting and the servo control loop parameters are set to matching defaults. The controller is ready for use for a wide range of standard applications and can be tested.

Step 2: If the servo control performance of the controller has to be further improved, the tunE panel menu must be accessed. With the help of the functions in this menu, the controller can start an auto-tuning motor run in order to identify motor load conditions and to measure the inertia. After that, the controller calculates the inertia ratio, which is the ratio of the measured inertia and the motor inertia. Depending on the obtained inertia ratio the controller defines a suitable stiffness value for the servo behavior. Using the inertia ratio and the stiffness value the controller tunes the servo loops automatically.

Step 3: Inside the tunE menu the stiffness can be adjusted up/down simply by panel buttons. The stiffness adjustment can be done also during the testing of the application, while the controller is being commanded via the selected command interface. After finding the best value for stiffness the tunE parameters need to be saved and the controller is finally ready for use. If the adjustment of the stiffness does not result in the required performance, the PC software "KincoServo+" can be used for further optimization.

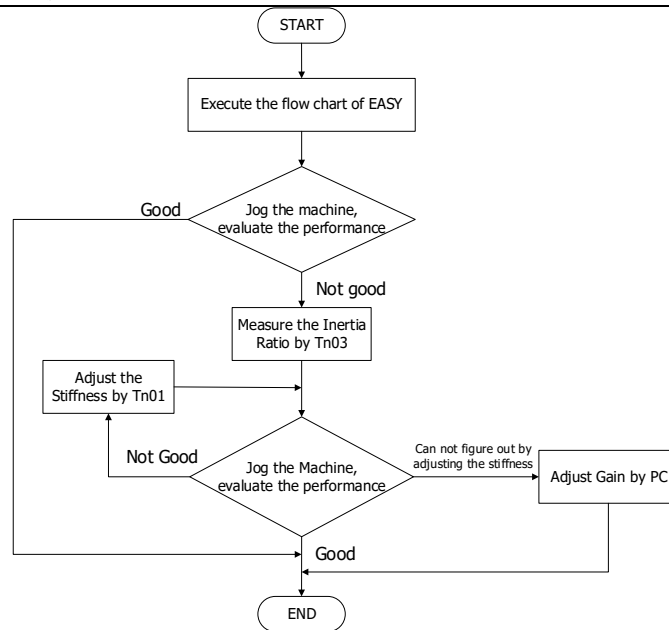


Figure 4-2 Flow chart of the Easy Use Function

Attention

- Inertia measurement may cause the machine to vibrate. Please turn off the power or the drive immediately
- Turning on the inertia measurement will make the motor shaft reciprocate within a small distance, please leave a certain mechanical space..
- After executing the EASY process, it is strongly recommended to perform the tuneE process to measure the inertia and adjust the rigidity level.



4.3.2 Flowchart and description of the EASY menu

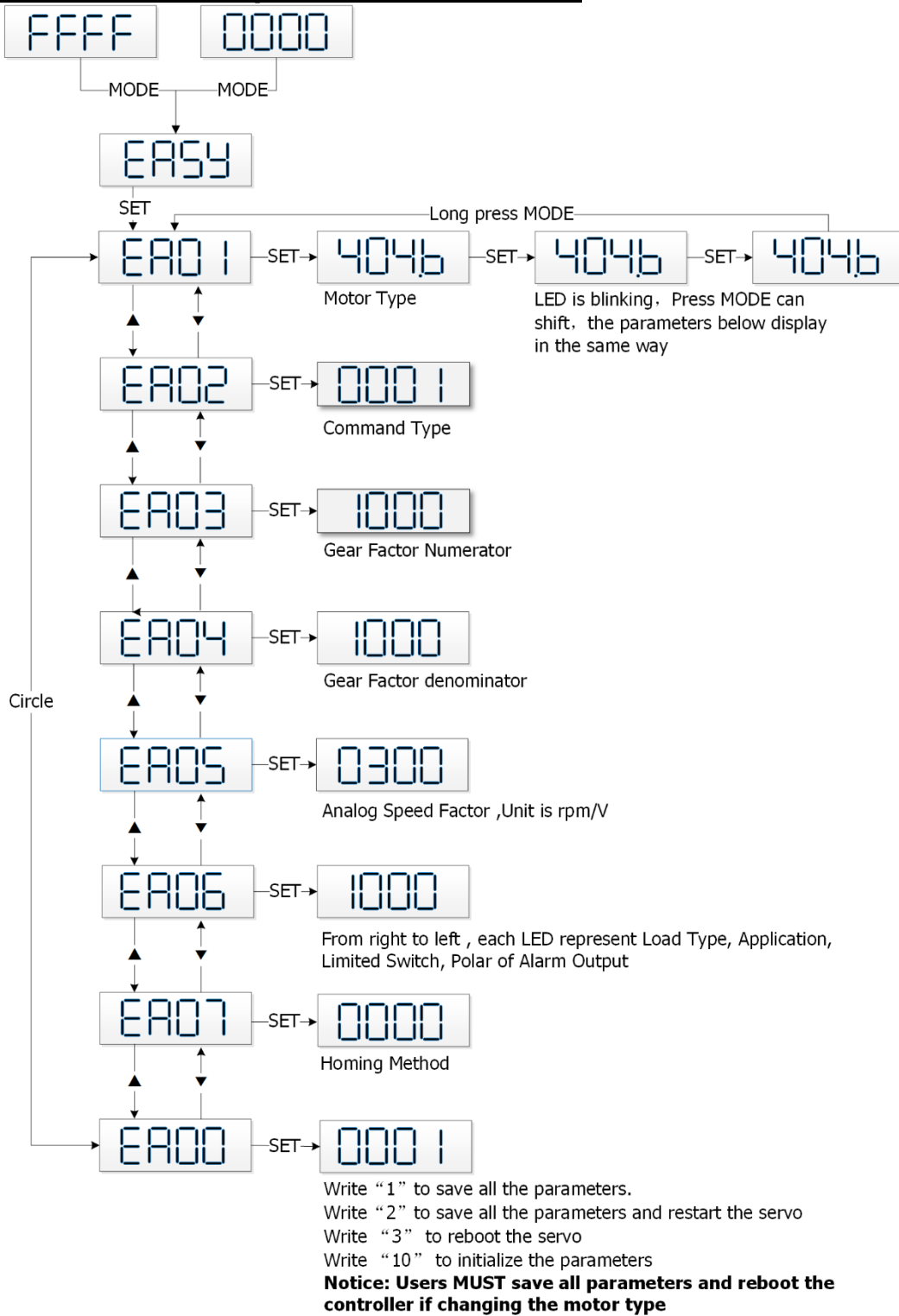


Figure 4-3 EASY Flowchart of the EASY menu



Attention

The menu is exited automatically if there is no operation in 30s, and users have to start again. Entered data is valid immediately but must be saved via EA00.

Table 4-2 Easy menu parameters

LED	Parameter	Description	Default
EA01	Motor type	For a new factory drive, the motor model is 00, and the digital panel displays 3030. If the drive is connected to the correct motor, the motor model will be automatically recognized and saved by the drive. If there is no motor model in the drive, the digital panel will flash FFFF. For the drive that has been used, the drive will judge whether the connected motor is the same as the previous one. If they are not the same, the digital panel will flash and display the FFFF/400.2 fault.	404b
EA02	Command type	The command type affects controller-internal interface setting , the initial operation mode after power on and the default setting for DIN- and OUT functions (refer to table 4-3) 0: CW/CCW pulse train mode operation mode=-4 1: P/D pulse train mode operation mode=-4 2: A/B phase control master/slave mode operation mode=-4 6: Analog velocity mode by AIN1 operation mode=-3 7: Analog velocity mode by AIN2 operation mode=-3 8: Communication 9: Position flow mode operation mode= 1	1
EA03	Gear Factor Numerator	Used when EA02 is set to 0-2 By default, the display shows the values in decimal format. If the number is	1000
EA04	Gear Factor Denominator	greater than 9999, the display is in hexadecimal format	1000
EA06	1. load type 2.applicati on 3. limit switch 4. alarm output polarity	The meaning of each digit of the LED display from right to left. (1) Load type, influences the control loop. 0: No load 1: Belt drive 2: Ball screw (2) Application, influences the control loop. 0: P2P 1: CNC 2: Master / slave mode (3) Limit switch. 0: Controller default 1: Delete the limit switch function (4) Polarity of OUT5 0: Normally closed contacts 1: Normally open contacts	1001
EA07	Homing method	Refer to chapter 6.6	

EA00	Save parameters	<p>Write "1" to save control and motor parameters.</p> <p>Write "2" to save control and motor parameters and reboot the servo.</p> <p>Write "3" to reboot the servo.</p> <p>Write "10" to initialize the control parameters.</p> <p>After saving the parameters, the drive sets the control loop parameters according to the load type and application.</p>	-
------	-----------------	---	---

When EA02 is set to 0, 1 or 2, the default input and output functions are as follows:

Table 4-3 Default IO configuration related to EA02

	Pulse Train			Control via RS232
	CW/CCW	P/D(default)	A/B	
EA02	0	1	2	8
DIN1	Enable	Enable	Enable	
DIN2	Reset errors	Reset errors	Reset errors	
DIN3	Start homing	Start homing	Start homing	
DIN4	P limit+	P limit+	P limit+	P limit+
DIN5	P limit-	P limit-	P limit-	P limit-
DIN6				
DIN7	Home signal	Home signal	Home signal	Home signal
OUT1	Ready	Ready	Ready	Ready
OUT2	Motor brake	Motor brake	Motor brake	Motor brake
OUT3	Pos reached	Pos reached	Pos reached	Pos reached
OUT4	Zero Speed	Zero Speed	Zero Speed	Zero Speed
OUT5	Error	Error	Error	Error
	Work model: -4			Work model: 0



Attention

Changing the EA02 may cause the IO function to change, so the actual IO input may unexpectedly activate the corresponding function of the drive. Therefore, when setting the EASY menu, it is recommended to disconnect the wiring of the X4 interface, or disconnect the power supply of the digital input port.

Pulse train mode configuration, command types 0, 1 or 2 in EA02:

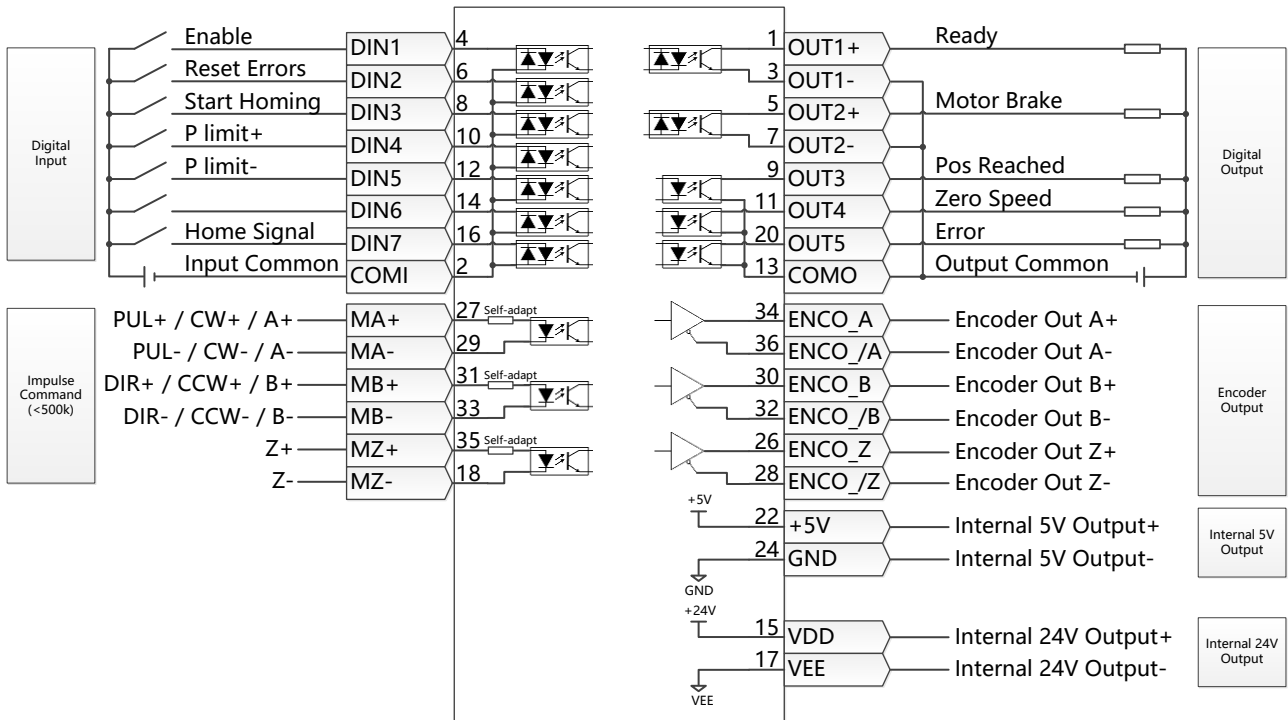


Figure 4-4 wiring in pulse train mode

When EA02 is set to 8, the default input and output functions are as follows :

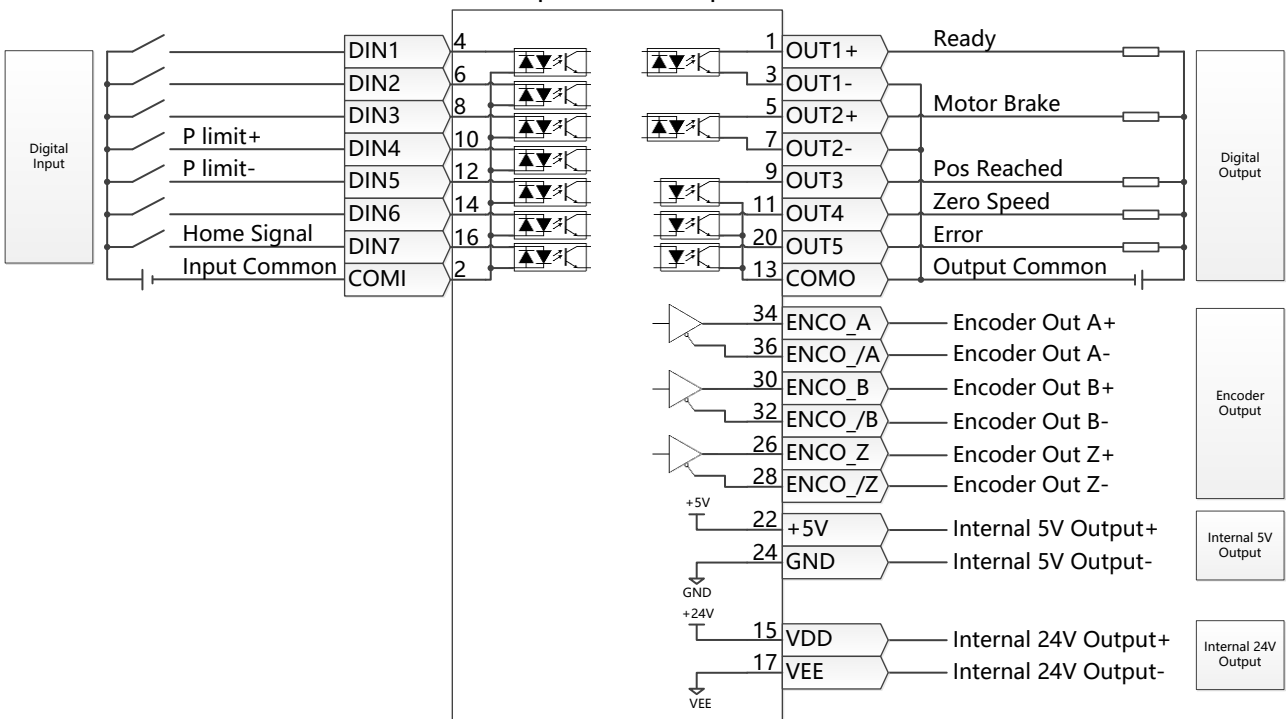


Figure 4-5 RS232 Wiring in Communication control

4.3.3 Flowchart and description of the tunE menu

The tunE panel menu includes parameters and functions for auto-tuning with inertia measurement and servo control loop adjustment via just one parameter, namely stiffness.

After processing the EASY menu, the controller defaults the stiffness value and the inertia_ratio based on reasonably estimated values according to, load type and application settings in EA06.

If the inertia ratio is known based on the machine's mechanical system and the payload, the value can be entered directly in tn02 (see table 4-4). The inertia ratio does not need to be 100% correct to achieve reasonable servo performance by adjustment of stiffness alone. But the more accurate the inertia ratio, the better the tuning algorithm can match the different servo control loops to each other. That's why it is highly advisable to obtain a precise inertia ratio result by means of inertia measurement.

The following flowchart and table explain the procedure for settings in the tunE menu in detail.

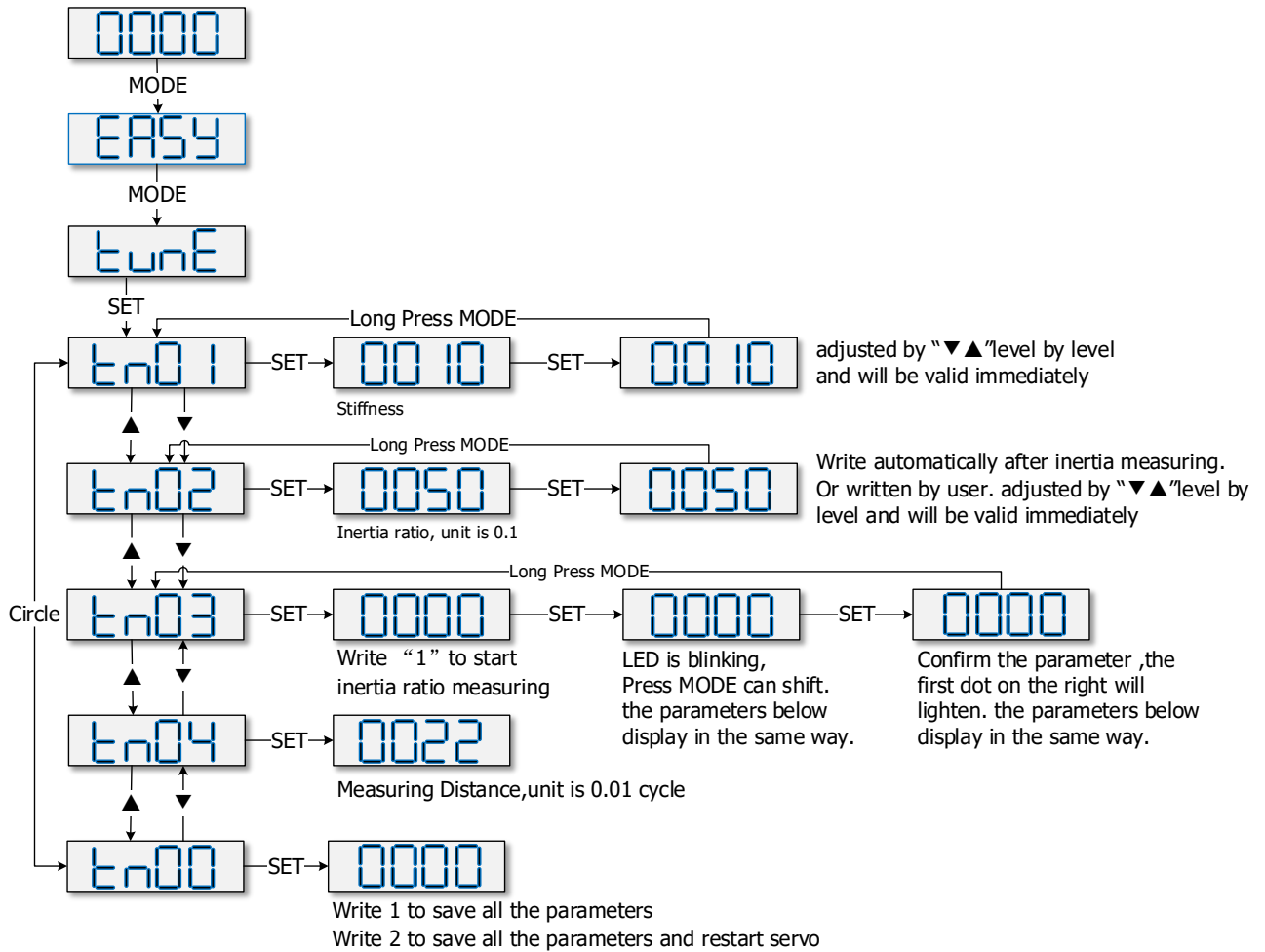




Figure 4-6 tunE Operating procedures

Table 4-4 tunE parameters

LED	Parameter	Description	Default
tn01	Stiffness	<p>level of control stiffness from 0 to31 determines the bandwidth (BW) of the velocity loop and the position loop (see table 4-5). The larger the value, the greater the stiffness. If this parameter is too large, the gain will change excessively and the machine will become unstable.</p> <p>When setting tn01 via the up and down buttons on the panel, entered values are valid immediately, in order to ensure the input of small change steps</p>	<p>Belt: 10</p> <p>Screw : 13</p>
tn02	Inertia_ratio	<p>Ratio of total inertia and motor inertia (unit: 0.1) for example 30 represent an inertia ratio of 3.</p> <p>This value becomes defaulted by the EASY procedure and measured by the inertia measuring function in the tunE menu (tn03).</p> <p>When setting tn02 by the panel up down buttons, the data will be valid immediately, to ensure the input of small change steps.</p>	<p>Belt:50</p> <p>Screw:30</p>
tn03	Tuning_method	<p>Writing 1 starts auto-tuning inertia measurement. The controller is enabled and the motor executes an oscillating motion for less than 1s.</p> <p>If tuning is successful, Tuning Method indicates a value of 1. The measured inertia is used to determine the Inertia Ratio. Stiffness is set to 4 to 12 depending on the inertia ratio. The control loop parameters are set according to Stiffness and Inertia Ratio.</p> <p>If the inertia measurement fails, Tuning Method indicates the fail-reason:</p> <p>0: The controller could not be enabled by any reason.</p> <p>-1: Inertia cannot be measured due to too little motion or too little current.</p> <p>-2: The measured inertia result is outside the valid range.</p> <p>-3: The resulting Inertia Ratio value is greater than 250 (inertia ratio > 25). This is a possible result, but the control loop will not be tuned.</p> <p>-4: The resulting Inertia Ratio value is larger than 500 (inertia ratio > 50). This is an uncertain result.</p> <p>In the cases 0, -1, -2, -4 Inertia Ratio is set to 30, in the case -3 Inertia Ratio is set as measured, Stiffness is set to 7-10</p> <p>In any fail case the control loop parameters are set to Inertia Ratio of 30 and the set Stiffness values. To make the measured Inertia Ratio of case -3 become effective, the value of tn02</p>	

		must be confirmed by SET	
tn04	Safe_Dist	Inertia measuring distance (unit: 0.01 rev), for example 22 represents 0.22 motor revolutions. The maximum is 0.4 revolutions	22
tn00	Saving parameters	Write "1" to save control and motor parameters. Write "2" to save control and motor parameters and reboot the servo. Write "3" to reboot the servo. Write "10" to initialize the control parameters	-

Table 4-5 Tuning result description:

Tuning display	Tuning result description:
	1: The measurement result is correct and the inertia ratio is less than 25:1, the measurement of the inertia ratio result is valid, and the PID automatically adjusts according to the load inertia.
	-1: The speed amplitude is 1/4 of the set value or the current amplitude is less than 10DEC. The tuning result is invalid. It is recommended to increase the load detection operating range or initialize the rigidity re-detection.




	-2: Indicates that the calculated inertia coefficient is too large or too small, and the measurement result is not within the normal range. The integral needs to be adjusted, the limit parameters need to be re-tuned, and the result is invalid.
	-3: The inertia ratio exceeds 25:1. The inertia ratio result is valid but does not automatically set the loop parameters.
	-4: The measured inertia ratio is over 300 times the range. Inertia ratio result is invalid.

Table 4-6 Stiffness and control loop settings

Stiffness	Kpp/[0.0 1Hz]	KVP/[0.1Hz]	Output filter [Hz]	Stiffness	Kpp/[0.0 1Hz]	KVP/[0.1Hz]	Output filter [Hz]
0	70	25	18	16	1945	700	464
1	98	35	24	17	2223	800	568
2	139	50	35	18	2500	900	568
3	195	70	49	19	2778	1000	733
4	264	95	66	20	3334	1200	733
5	334	120	83	21	3889	1400	1032
6	389	140	100	22	4723	1700	1032
7	473	170	118	23	5556	2000	1765
8	556	200	146	24	6389	2300	1765
9	639	230	164	25	7500	2700	1765
10	750	270	189	26	8612	3100	1765
11	889	320	222	27	9445	3400	∞
12	1056	380	268	28	10278	3700	∞
13	1250	450	340	29	11112	4000	∞
14	1500	540	360	30	12500	4500	∞
15	1667	600	392	31	13889	5000	∞



When the setting for the stiffness or inertia ratio results in a Kvp value of greater than 4000, it isn't useful to increase stiffness anymore. For encoders with less than 80000PPR resolution, the maximum rigidity level is 22.

**Attention**

- The EASY procedure must be run first and completed, before tunE may be used
- inertia measurement might cause the machine to oscillate, please be prepared to shut off controller power immediately.
- Provide enough mechanical space for motor oscillation during inertia measurement in order to avoid machine damage.

4.3.4 Reasons for the failure of tuning

1. Incorrect wiring of the CD3 servo system
2. DIN function Pre_Enable is configured but not active

3. Too much friction or external force is applied to the axis to be tuned
4. Too big backlash in the mechanical path between the motor and the load
5. Inertia ratio is too large
6. The mechanical path contains too soft components (very soft belts or couplings)

4.3.5 Tuning case

Rigid connection tuning case operating instructions

- 1、 Enter EA01 through the panel keys, and confirm that the motor model is correct.
- 2、 **Enter EA06 to set the tuning command type to 1002**, which means that the axis operation mode is point-to-point positioning control, the motor adopts rigid transmission structure to connect the load, the positive and negative limits use the current settings, and the OUT2 is normally open.
- 3、 **Enter Tn04 to set the tuning distance**, The default value is 0022, which means 0.22 revolutions of the motor. If the load displacement distance allows, you can set TN04 to 0040, which means that the setting distance is extended to 0.4 revolutions of the motor.
- 4、 **Set Tn03 to 1**, Turn on auto-tuning. After the tuning is completed the tuning result will be Displayed on the panel
- 5、 Perform the next adjustment according to different tuning results. For details of manual adjustment, please refer to Chapter 7.3
 - a. The result is 1: indicates that the tuning is successful and the inertia ratio is valid. The equipment can be run repeatedly by command, and the rigidity level Tn01 can be adjusted step by step. When the response is slow during the operation, the rigidity level Tn01 can be increased.
 - b. The result is -1: Indicates that the inertia is too small and the tuning fails, and the inertia ratio is invalid. You can increase the tuning distance Tn04 and then re-tune. Under this tuning result, the rigidity level Tn01 can also be adjusted to check the running effect. If the adjusted rigidity cannot meet the requirements, please use manual adjustment.
 - c. The result is -2: Indicates that the inertia coefficient is out of range, causing the tuning to fail and the inertia ratio to be invalid. You can modify the speed loop integral limit parameters to re-tune. Under this tuning result, the rigidity level Tn01 can be adjusted to check the running effect. If the adjusted rigidity cannot meet the requirements, please use manual adjustment.
 - d. The result is -3: Indicates that the inertia ratio exceeds 25 times, and the inertia ratio result is valid. After the tuning is completed, run the device, and when the motor vibrates or whistles, please use manual adjustment. The rigidity level Tn01 can be adjusted when the running equipment has no vibration/howling.
 - e. The result is -4: Indicates that the inertia ratio exceeds 300 times, and the inertia ratio result is invalid. After the tuning is completed, run the device, and when the motor vibrates/whistles, please use manual adjustment. The rigidity level Tn01 can be adjusted when the running equipment has no vibration/howling.
- 6、 After the adjustment is completed, enter EA00 to set 1 to store the adjustment result.

Operation instructions for flexible connection setting cases

- 1、Enter EA01 through the panel keys, and confirm that the motor model is correct.
- 2、**Enter EA06 to set the tuning command type to 1001**, which means that the axis operation mode is point-to-point positioning control, the motor adopts a flexible transmission structure to connect the load, the positive and negative limits use the current settings, and the OUT2 is normally open.
- 3、**Enter Tn04 to set the setting distance**. The default value is 0022, which means 0.22 revolutions of the motor. If the load displacement distance allows, you can set TN04 to 0040, which means that the setting distance is extended to 0.4 revolutions of the motor.
- 4、**Set Tn03 to 1**, Turn on auto-tuning. After the tuning is completed, the tuning result mark will be displayed on the panel.
- 5、Perform the next adjustment according to different tuning results. For details of manual adjustment, please refer to Chapter 7.3.
 - a. The result is 1: Indicates that the tuning is successful and the inertia ratio is valid. The equipment can be run repeatedly by using the command, and the rigidity level Tn01 can be adjusted step by step. When the response is slow during the operation, the rigidity level Tn01 can be increased.
 - b. The result is -1: Indicates that the inertia is too small and the tuning fails, and the inertia ratio is invalid. You can increase the tuning distance Tn04 and then re-tune. Under this tuning result, the rigidity level Tn01 can also be adjusted to check the running effect. If the adjusted rigidity cannot meet the requirements, please use manual adjustment
 - c. The result is -2: Indicates that the inertia coefficient is out of range, causing the tuning to fail and the inertia ratio to be invalid. You can modify the speed loop integral limit parameters to re-tune. Under this tuning result, the rigidity level Tn01 can be adjusted to check the running effect. If the adjusted rigidity cannot meet the requirements, please use manual adjustment.
 - d. The result is -3: Indicates that the inertia ratio exceeds 25 times, and the inertia ratio result is valid. After the tuning is completed, run the device, and when the motor vibrates or whistles, please use manual adjustment. The rigidity level Tn01 can be adjusted when the running equipment has no vibration/howling
 - e. The result is -4: Indicates that the inertia ratio exceeds 300 times, and the inertia ratio result is invalid. After the tuning is completed, run the device, and when the motor vibrates/whistles, please use manual adjustment. The rigidity level Tn01 can be adjusted when the running equipment has no vibration/howling
6. After the adjustment is completed, enter EA00 to set 1 to store the adjustment result.

4.4 Jog mode (Test run)

The Jog mode is intended to be used for a motor test run by the buttons of the LED panel without the need for any other command signal. No matter other Operation_Mode and velocity settings, in the Jog mode the controller controls the motor rotating with the velocity set by Jog_RPM(d3.52) in instantaneous velocity mode (Operation_Mode=-3, referred to chapter 6.1).

Steps of Jog operation:

Step 1: Check all wiring is right, ESAY flow has been completed.

Step 2: Enter panel address F003->d3.52, set Jog_RPM.

Step 3: Enter panel menu F006, address d6.40 appears, press ▼ several times until d6.15 appears, press ▲ several times until d6.25 appears (this is a safety procedure to ensure the ▲ and ▼ buttons work properly and do not stick in a pressed state).

Step 4: Press SET and the LED display shows 'Jog' .

Step 5: Press and hold ▲ for positive direction or ▼ for negative direction. The controller will become enabled automatically and the motor shaft will rotate with velocity Jog_RPM. Release ▲ and ▼ , to stop the motor shaft.

If in Step 4 for more than 20 seconds none of▲ or ▼ was pressed, the Jog operation will quit and a new Jog operation needs to be started from Step 1 again.



Attention

- In the JOG mode configured Limit Switch functions are not working, the limit switches will be ignored.
- Be aware of the human reaction time when controlling the motor in Jog mode. Use slow velocity settings for the Jog mode, especially if the motor travel is limited by mechanical blocks.
- If the digital input function Pre_Enable is configured, the Jog mode requires this function active either by the correct DIN signal or by DIN simulation, otherwise the Jog mode will cause a controller error "External enable"

4.5 Error history (F007)

The motor controller stores the last 8 errors in the error history. Enter panel menu F007, press SET, the value of Error_State(2601.00) (see chapter 5.7, table 5-7) will be shown, if it displays 0001 then it' s an extended error, press SET to show the value of Error_State2(2602.00)

Press ▲ or ▼ to go through all error history. On the LED display, from left to right, dot 3 indicates it' s the earliest error, dot 4 indicates it' s the latest error. There' s mask to specify which errors will be stored in the error history, please see chapter 5.5 for more details..

Table 4-6: F007 example

F007 LED display	Meaning
000.1	The latest error is Extended Error. Press "SET" key to see the Error State 2(2602.00) value
02.00	The earliest error is following Error
0100	There was Chop Resistor error, it' s neither the earliest nor the latest error.

Chapter5 KincoServo +, user guide

This chapter contains information about how to use the PC software KincoServo+



Figure 5-1 Main window of KincoServo+


5.1 Getting started

5.1.1 Language

Language can be switched between English and Chinese via menu item Tools->Language.

5.1.2 Open and saving project files

Create a new project file via menu item File->New, or by clicking the  button.

Open an existing project via menu item File->Open, or by clicking the  button and selecting a .kpjt file

Save a project via menu item File->Save, or by clicking the  button and saving as a .kpjt file



Information

Only the windows (object list, scope etc.) are saved-parameters in the controller can't be saved in this way.

5.1.3 Starting communication

Click menu item Communication->Communication settings. The following window appears:

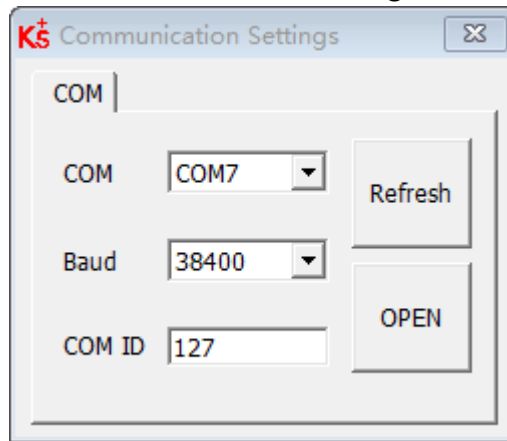



Figure 5-2 Communication setting

Select the right COM port (if it's not shown click the "Refresh" button), baud rate and COM ID (Node ID), and then click the "OPEN" button

Once communication has been established with the controller, communication can be opened or closed by clicking the button .

5.1.4 Node ID and baud rate

If more than one controller is being used in an application, you may need different node ID for different controllers in order to distinguish amongst them.

The controller's Node ID can be changed via menu item Controller->Controller Property.

Table 5-1 node ID and baud rate

Panel address	Internal address	Type	Name	Value	unit
D5.01	100B.00	Uint8	Node_ID	1~127	DEC
D5.02	2FE0.00	Uint16	RS232_baudrate	Panel setting Baudrate 540 19200 270 38400 90 115200	Baud



Attention

Node ID and baud rate setting are not activated until after saving and rebooting

5.1.5 Objects (add, delete, help)

Open any window with an object list, move the mouse pointer to the object item and right click. The following selection window appears:

268000	uint16	Warning_Word	<div style="border: 1px solid gray; padding: 5px; display: inline-block;"> Add Delete Help </div>
606000	int8	Operation_Mode	
604000	uint16	Controlword	
607A00	int32	Target_Position	
608100	uint32	Profile_Speed	
608300	uint32	Profile_Acc	

Click **Add** and double click the required object from the **Object Dictionary**. The selected object is then added to the list.

Click **Delete**. The selected object is removed from the list.

Click **Help** to read a description of the selected object in the **Object Dictionary**.

5.2 Init save reboot

Click Controller->Init Save Reboot. The following window:

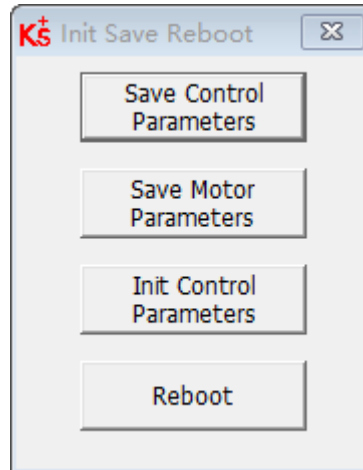


Figure 5-3 Init save reboot

Click the corresponding item to finish the necessary operation.



Attention

After completing the init control parameters, the Save Control Parameters and Reboot buttons must be clicked to load the default control parameters

5.3 Firmware update

A new motor controller is always delivered with the latest firmware version. If the firmware needs to be updated for any reason, load the new firmware via menu item **Controller->Load Firmware**

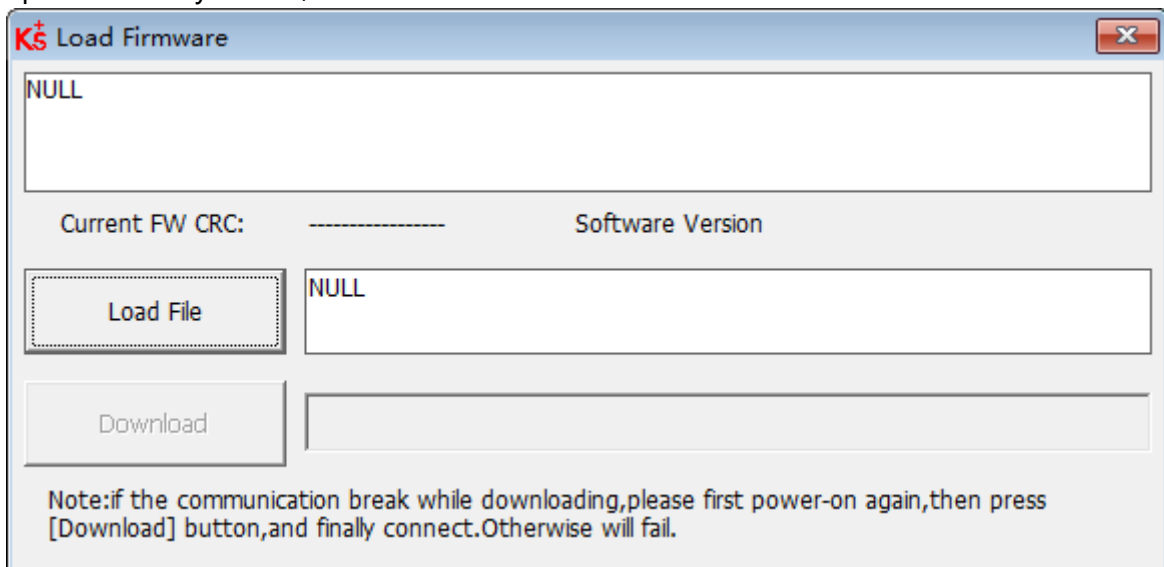


Figure 5-4 Load firmware

Click Load File to select the firmware file (.servo) and then click Download to start loading firmware to the controller.

N	Index	Type	Name	Value	Unit
0*	100000	uint32	Device_Type		HEX
1*	100800	String	Device_Name		String
2*	100900	String	Product_Version		String
3*	100A00	String	Software_Version		String
4*	2FF800	String	Serial_Num		String
5	100B00	uint8	Node_ID		DEC

Figure 5-5 Software version



Attention

Do not switch off the power or disconnect the RS232 cable during firmware loading. If the download process is interrupted, first reset controller power. Then select the firmware file and click the Download button, and finally start RS232 communication.

5.4 Read/write controller configuration

This function can be used to read / write multiple parameters simultaneously for large production lots, in order to avoid setting the controller parameters one by one.

5.4.1 Read setting from controller

Click Tools->R/W Controller Configuration->Read Settings from Controller or click the



button. The following window appears:

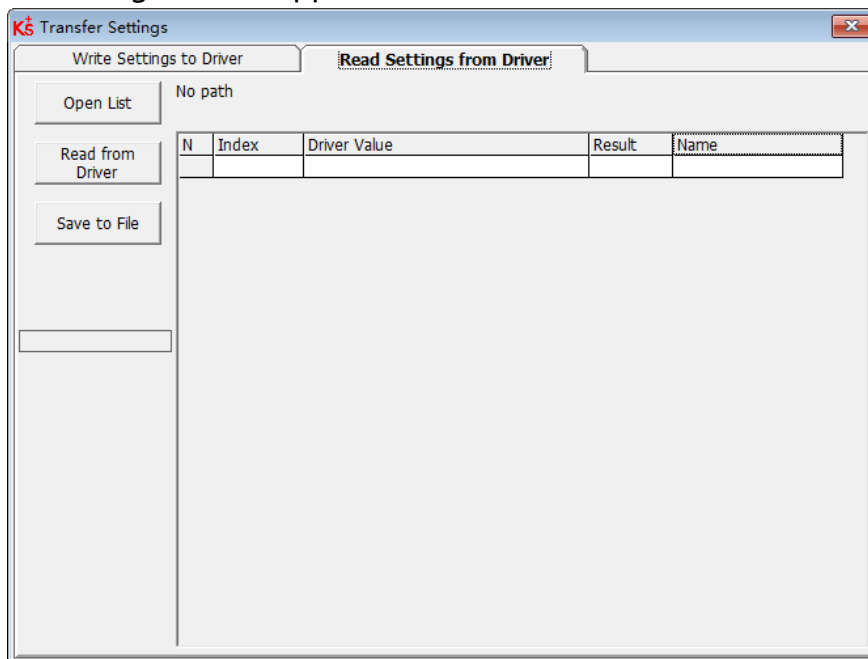


Figure 5-6 Transfer setting

- Click **Open List** to select a parameter list file (.cdo). The parameter appears in the window. Click **Read Settings from Controller** to get the **Drive Value** and **Result**, and then click **Save to File** to save the setting as a .cdi file

➔ **Attention**

- The .cdo file defines which objects will be read out, but if the object doesn't exist in the controller, the result will be "False" (displayed in red).

5.4.2 Write setting to controller

Click Tools->R/W Controller Configuration->Write Settings to Controller or click the button.

The following window appear  button, the following window appears

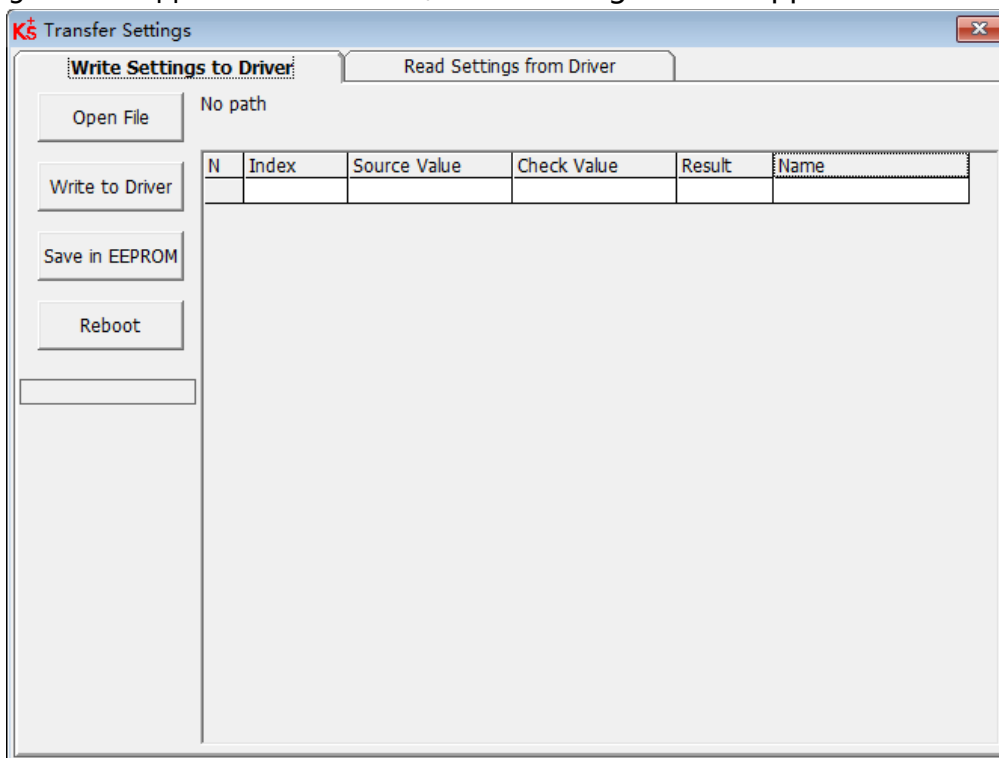


Figure 5-7 Transfer settings


Click Open File to select a parameter settings file (.cdi). The parameter settings appear in the window. The .cdi file contains information including object address, object value and readout result. If readout result is "False" , "Invalid" will appear immediately in red ion the Result fied.

Click Write to Controller to get the Check Value and Result. The "False" Result means the value has not been written successfully, probably because the object doesn't exist in the controller. Click Save in EEPROM and Reboot to activate all parameters.

➔ **Attention**

Before writing the settings to the drive, unenable the drive, if the drive is enabled, some objects cannot be successfully written.

5.5 Digital IO function

Click menu item Controller->Digital IO Functions or click the button . The following window appears. Function and polarity are shown. Shown as default function and polarity.

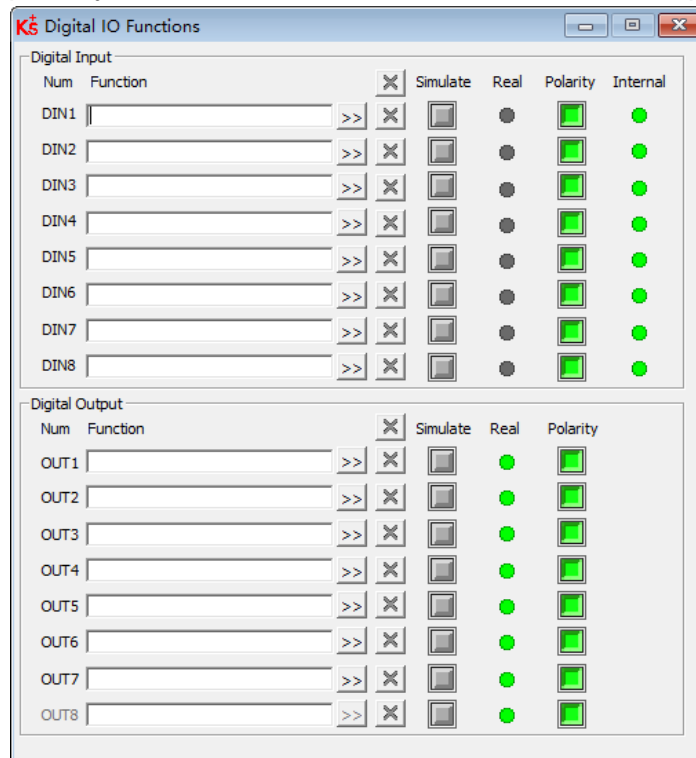


Figure 5-8 Digital IO

5.5.1 Digital Input

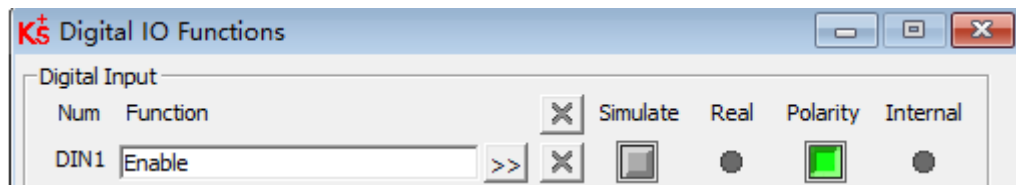






Figure 5-9 Digital input


Function: Click  to select Din function setting click  to delete the DIN function


Real: Shows the real digital input hardware status.

1  means "active", logic status of the digital input is 1.


0  means "inactive", logic status of the digital input is 0.


Simulate: Simulates the digital input active hardware signal.

1  means the digital input is simulated as "active", logic status 1.


0  means no impact on the digital input logic status.

Polarity: Inverts the logic status of the digital input.

1  means Internal is set to 1 by "active" signal.

0  means Internal is set to 1 by "inactive"

Internal: This is the result of Simulate, Real and Polarity via the logic formula: $Internal = (Real \text{ OR } Simulate) \text{ XOR } (NOT \text{ Polarity})$

1  means "active", logic status of the selected function is 1.


0  means "inactive", logic status of the selected function is 0.

Table 5-2 Digital input functions

DIN function	Description
Enable	Controller enabling 1: Enable controller = Din control word selection(2020.0F) 0: Disable controller = 0x06
Reset errors	Set the Controlword to reset errors, active edge (bit7) = 1
Operation mode	Operation_mode selection 1: Operation_mode = EL.Din_Mode1 (2020.0E), Default value=-4 0: Operation_mode = EL.Din_Mode 0 (2020.0D), Default value =-3

Kvi off	1: Velocity control loop integrating gain off 0: Velocity control loop integrating gain has been set. Refer to chapter 7 for more information about Kvi
P limit+	Positive/Negative position limit switch input for “normally closed” limit switches 0: position limit is active, the related direction is blocked
P limit-	
Home signal	Home switch signal for homing
Invert Direction	Inverts command direction in the velocity and torque mode
Din Vel Index0	Din_Speed Index in the DIN speed mode
Din Vel Index1	
Din Vel Index2	
Quick stop	Sets the control word to start quick stop. After quick stop, the control word needs to be set to 0x06 before 0x0F for enabling (if the enable function is configured in Din, just re-enable it)
Start homing	Starts homing. Only makes sense if the controller is enabled. The controller returns to the previous operation mode after homing.
Activate Command	Activates the position command. Controls bit 4 of the Controlword, e.g. Controlword=0x2F>0x3F
Multifunction 0	Gear ratio switch, refer to chapter 5.5.3 for more details
Multifunction 1	
Multifunction 2	
Gain switch 0	PI control gain switch, refer to chapter 5.5.4 for more details
Gain switch 1	
Motor Error	If an external error occurs (such as the temperature of the motor itself is too high), the error signal can be transmitted to the drive through the input port
Fast capture 1	Fast capture, refer to chapter 5.5.5 for more details
Fast capture 2	
Pre enable	For safety reasons, pre enable can serve as a signal for indicating whether or not the entire system is ready, 1: Drive can be enabled; 0: Drive can not be enabled
Postable Cond 0	Position flow condition for position flow mode
Postable cond 1	
Start Postable	Position flow condition for position flow mode
Postable Idx 0	Position flow starting index of position flow mode
Postable Idx 1	
Postable Idx 2	
Abort PosTable	Abort position flow of position flow refer to Chapter 6.4.1
Cleaning pulse	Clear the number of pulses the drive has received but not completed
Pause	1: Pause motor, code: bit8 = 1 0: Motor continues to execute unfinished instructions



Attention
 DIN control word selection (2020.0F) is set to 0x2F by default. For the definition of control word, please refer to Chapter 6.1

5.5.2 Digital outputs

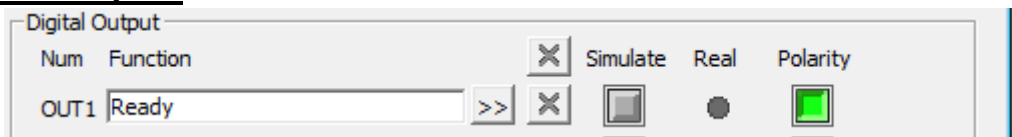


Figure 5-10 Digital

output

Function: Click to select Din function setting click to delete the DIN function

Real: Shows the real digital input hardware status.

1 means "active" , logic status of the digital input is 1

0 means "inactive" , logic status of the digital input is 0.

Simulate: Simulates the digital input active hardware signal.

1 means the digital input is simulated as "active" , logic status 1.

0 means no impact on the digital input logic status.

Polarity: Inverts the logic status of the digital input.

1 means Internal is set to 1 by "active" signal.

0 means Internal is set to 1 by "inactive"

Internal: This is the result of Simulate, Real and Polarity via the logic formula: $Internal = (Real \text{ OR } Simulate) \text{ XOR } (NOT \text{ Polarity})$

1 means "active" , logic status of the selected function is 1.

0 means "inactive" , logic status of the selected function is 0.

Table 5-3 Digital output function

OUT function	Description
Ready	Controller is ready to be enabled

Error	Controller error
Pos reached	Under position mode, position difference between Pos_Actual and Pos_Target<Target_Pos_Window(6067.00),duration>=Position_Window_time(6068.00)
Zero speed	Speed_1ms(60F9.1A) <=Zero_Speed_Window(2010.18) and duration >=Zero_Speed_Time(60F9.14)
Motor Brake	Signal for controlling the motor brake. By this signal an external relay can be controlled, by which the motor brake is controlled. (see chapter 3.2.4)
Speed reached	Speed_Error(60F9.1C) <Target_Speed_Window(60F9.0A)
Enc Index	Encoder position is inside a range around the index position. This range is defined by Index_Window(2030.00).
Speed limit	In torque mode actual speed reached Max_Speed(607F.00)
Drive enabled	Controller enabled
Position limit	Position limit function is active
Home Found	Home found
Torque reaches limit	When the actual torque (60F5.08) reaches the reference (60F5.06) and the duration exceeds the filter time (60F5.07), the output torque reaches the limit, and the torque reaches the reference (60F5.06) is set to 0, indicating that the torque limit detection is not enabled .
PosTable Active	Position flow mode running
Multifunction signal 0	Refers Chapter 6.4.1
Multifunction signal 1	
Multifunction signal 2	

5.5.5 Fast capture

The Fast Capture function is used to capture the Position_Actual(6063.00) when the related DIN edge occurs. Response time is maximum 2ms.

Table 5-6 Fast capture

Internal address	Type	Name	Unit
2010.20	Uint8	Rising_Captured 1	Dec

2010.21	Uint8	Falling_Captured 1	Dec
2010.22	Uint8	Rising_Captured 2	Dec
2010.23	Uint8	Falling_Captured 2	Dec
2010.24	Int32	Raising_Capture_Position 1	Dec
2010.25	Int32	Falling_Capture_Position 1	Dec
2010.26	Int32	Raising_Capture_Position 2	Dec
2010.27	Int32	Falling_Capture_Position 2	Dec

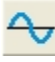
When DIN function Fast_Capture1 is configured to DIN and a rising DIN edge occurs, Rising_Captured1 is changed to 1. At the same moment Pos_Actual is stored to Rising_Capture_Position1. If a falling DIN edge occurs, Falling_Captured1 is to 1. At the same moment Pos_Actual is stored to Falling_Capture_Position1.

Once Rising_Captured1 or Falling_Captured1 is changed to 1, the user needs to reset them to 0 for the next capturing operation, because any further edges after the first one will not be captured.

See Fast_Capture1 concerning DIN function Fast_Capture2.

5.6 Scope

The scope function is for sampling the selected objects' value with a flexible sample cycle (defined by Sample Time) and a flexible total sample number (defined by Samples) During operation, if performance does not meet the requirement or any other unexpected behaviour occurs, it's highly advisable to use the scope function to do the analysis.

Click Controller-->Scope or click to open the scope window  can open the scope window

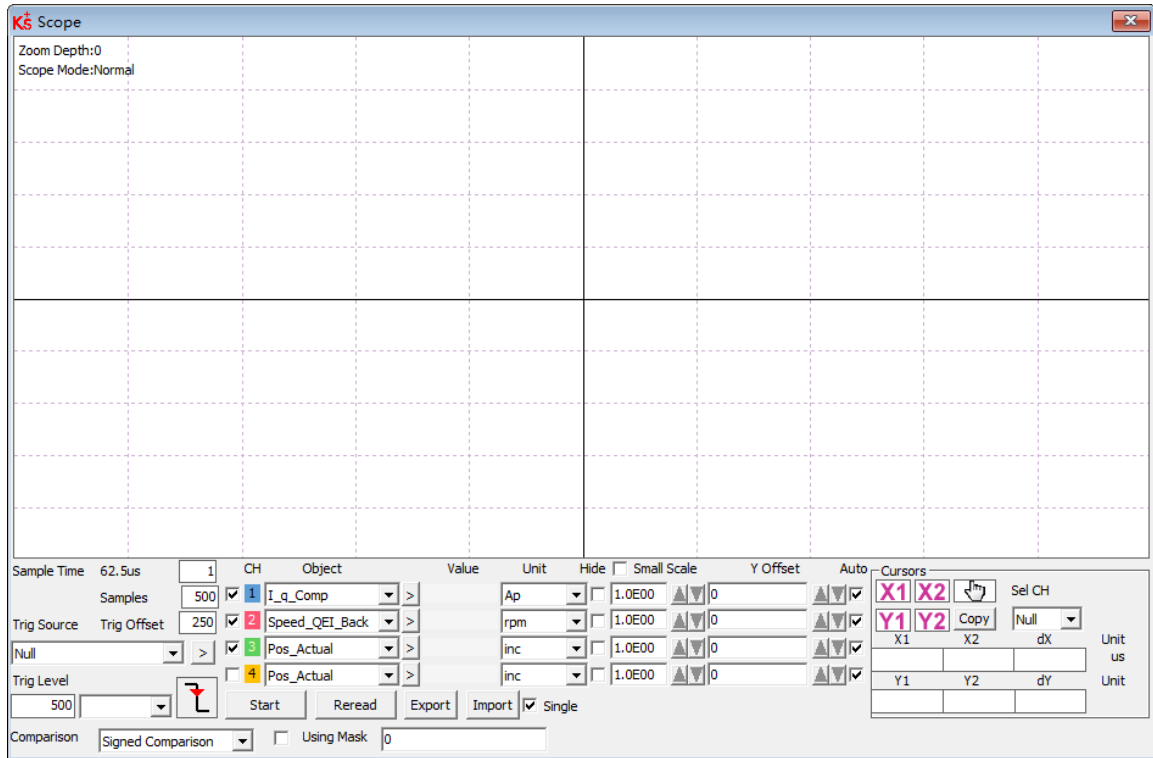






Figure 5-13 Scope window

Trig offset: Number of samples before the trigger event occurs.

Object: Maximum 64-bit length data can be taken in one sample, e.g.: 2 Int32 objects bit or 4 Int16 objects


Samples: The number of samples before the trigger source is triggered.

Trig source and Trig level: The trigger condition is set in Figure 5-13 to start collecting data when the effective target current q rises to 100DEC. DEC is the internal unit and can be switched to the current unit.

Trigger edge:  clicking could change it to rising edge trigger , falling edge trigger  or rising and falling edge trigger .

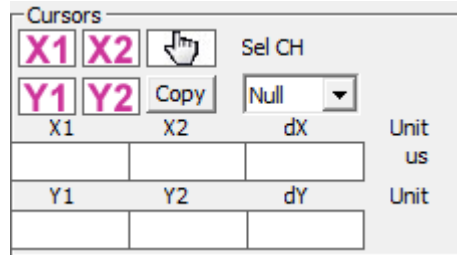
Single: Single means sample for one trigger event only; Single means sample continuously.

Zoom in/ Zoom out the oscillogram: Hold down the right mouse button and drag the mouse down to the right to zoom in, and to the upper left to zoom out.


Cursors: Up to 4 scope cursors can be selected by clicking  button. The scope cursors appear in the oscillogram. Select a channel in the Sel CH list box. Move the mouse pointer to the scope cursor. Press left mouse button and drag the scope cursor to move it. A

sample value and the differences of X1, X2 and Y1, Y2 appear in the

Moving Cursors: Hold down the left mouse button, drag the cursor to move, the sampled data, the difference between X1X2 and Y1Y2 will be displayed in the following area :



Copy: Copy the sampled data to the clipboard, you can open excel and paste the data directly.

Move :  The button turns to yellow means the moving works. You can drag the wave by holding down the left mouse button in the oscilloscope .

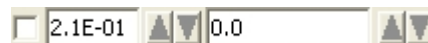
Export: Exports the sampled data as a .scope file.

Import: Imports a .scope file and shows the oscillogram in the scope window.

Reread: Rereads the last scope data out of the controller and shows the oscillogram in the scope window

Auto: If the checkbox Auto is checked, the oscillogram is auto-scaled.

If Auto is not checked, the oscillogram is scaled by scale and offset value in following



Scale and offset value can be increased by pressing the Δ button, and can be reduced by pressing the ∇ button. If Small scale checkbox is checked, scale value changing step is changed to 10% as before.

Oscilloscope mode: On the upper left side of the oscillogram the Scope Mode “normal ” or “import” is shown

-Normal: all buttons are active



-Import: -Import: If the oscillogram is an import from a .scope file, the scope mode will be “Import” , in this mode the Start, Reread button will be inactive. The “Import” mode can be quit by clicking “here” on the hint.

Table 5-7 Oscilloscope group parameters

Internal address	Type	Name	Description	Unit
2300.01~2300.06	Uint32	oscilloscope object 1-6	oscilloscope object 2 address (Format: xxxxyyzz,xxx:index; yy:subindex;zz:datalength) Used to acquire 16-bit data; oscilloscope object 1~6 data bits total length up to 64 bits	Hex
2300.07	Uint8	oscilloscope control	0... The oscilloscope is in an idle state, and the data captured by the oscilloscope can be read at this time 1... The oscilloscope is in the state of acquiring a certain length of data before the trigger event 2~7 The oscilloscope is always collecting data	Dec

			bit 2: 1—use mask (23000E20) , AND gate Note: You can no longer use the up and down arrows on the oscilloscope page to set the trigger edge to prevent conflicts.	
2300.12	UInt32	Trigger source	Oscilloscope Trigger Object	Dec
2300.13	Int32	Trigger level	Oscilloscope Trigger level	Dec

5.7 Error display and error history

Error: Click "Controller" -> "Error display" , or click  button (which turns red  if an error occurs) , The Error Display window appears. It shows the last errors.

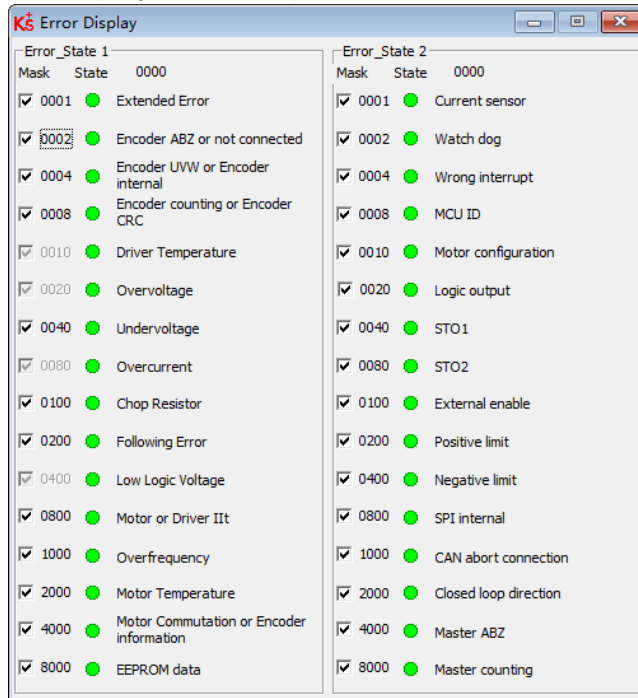


Figure 5-14 Error display window

Error history: Click "Controller" -> "Error history" , The error history window will pop up and display the last 8 error messages, including error word, bus voltage, speed, current, temperature, working mode, and power tube status. The most recent historical failure is displayed on the first line.

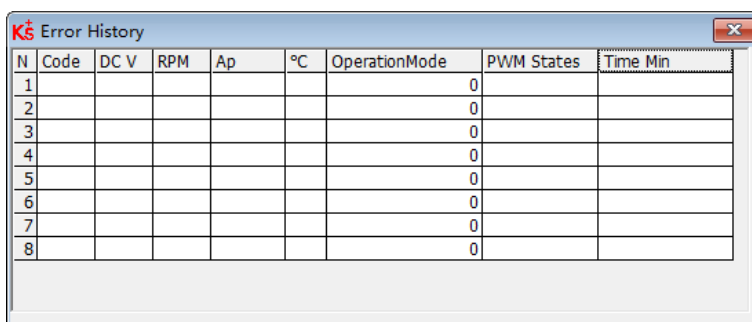


Figure 5-15 error history display window

table 5-8 Error_state (2601.00) information

bit	Error name	Error code	Description
0	Extended Error		Refer to object "Error_State 2" (2602.00)
1	Encoder not connected	0x7331	No communication encoder connected
2	Encoder internal	0x7320	Internal encoder error
3	Encoder CRC	0x7330	Communication with encoder disturbed
4	Controller Temperature	0x4210	Heatsink temperature too high
5	Overvoltage	0x3210	DC bus overvoltage
6	Undervoltage	0x3220	DC bus undervoltage
7	Overcurrent	0x2320	Power stage or motor short circuit
8	Chop Resistor	0x7110	Overload, brake chopper resistor
9	Following Error	0x8611	Max. following error exceeded
10	Low Logic Voltage	0x5112	Logic supply voltage too low
11	Motor or controller Ilt	0x2350	Motor or power stage Ilt error
12	Overfrequency	0x8A80	Pulse input frequency too high
13	Motor Temperature	0x4310	Motor temperature sensor alarm
14	Encoder information	0x7331	No encoder connected or no encoder communication reply
15	EEPROM data	0x6310	EEPROM checksum fault

Table 5-9 Error_state 2 (2602.00) information

bit	Error name	Error code	Description
0	Current sensor	0x5210	Current sensor signal offset or ripple too large
1	Watchdog	0x6010	Software watchdog exception
2	Wrong interrupt	0x6011	Invalid interrupt exception
3	MCU ID	0x7400	Wrong MCU type detected
4	Motor configuration	0x6320	No motor data in EEPROM / motor never configured

5	Reserved		
6	Reserved		
7	Reserved		
8	External enable	0x5443	DIN "pre_enable" function is configured, but the DIN is inactive when the controller is enabled / going to be enabled
9	Positive limit	0x5442	Positive position limit (after homing) – position limit only causes error when Limit_Function (2010.19) is set to 0.
10	Negative limit	0x5441	Negative position limit (after homing) position limit only causes error when Limit_Function(2010.19) is set to 0.
11	SPI internal	0x6012	Internal firmware error in SPI handling
12	Reserved		
13	Closed loop direction	0x8A81	Different direction between motor and position encoder in closed loop operation by a second encoder.
14	Reserved		
15	Master counting	0x7306	Master encoder counting error



Information

There's a mask checkbox beside every error item, all are defaulted to be checked, means it can be unchecked, means it can't be unchecked. An unchecked item mean the related error will be ignored. The error mask can be set in Error_Mask(2605.01) and Error_Mask(2605.04) also (see table 5-9)

Table 5-10 Error extension (2605.07) information

Bit	Error name	Error code	Description
0	Origin record error	0x5210	Current sensor signal drift or ripple is too large
1	Internal braking resistor overtemperature	0x7111	The actual power of the internal braking resistor is too high
2	Internal braking resistor short circuit	0x7112	Internal braking unit damaged, braking circuit short circuit
3	Motor phase loss	0x6321	A phase in the motor power line UVW is not connected

4	ADC sampling saturation	0x2321	Current sampling ADC reaches limit, current runaway
12	service timeout	0x81FF	Communication Bus Error Extension

Table 5-11 Error mask

Internal address	Type	Name	Meaning (Bit meaning please see table5-7 and table 5-8)	Default
2605.01	Uint16	Error_Mask	Mask of Error_State(2601.00). Bit = 0 means related error will be ignored.	0xFFFF
2605.02	Uint16	Store_Mask_ON	Error mask for Error_History of Error_State(2601.00) when controller is enabled. Bit = 0 means related error won't be stored in the Error_History	0xFBFF
2605.03	Uint16	Store_Mask_OFF	Error mask for Error_History of Error_State(2601.00) when controller is not enabled. Bit = 0 means related error won't be stored in the Error_History	0x0000
2605.04	Uint16	Error_Mask2	Mask of Error_State2(2602.00). bit = 0 means related error will be ignored	0xFFFF
2605.05	Uint16	Store_Mask_ON2	Error mask for Error_History of Error_State2(2602.00) when controller is enabled. Bit = 0 means related error won't be stored in the Error_History	0xF1FF
2605.06	Uint16	Store_Mask_OFF2	Error mask for Error_History of Error_State2(2602.00) when controller is not enabled. Bit = 0 means related error won't be stored in the Error_History	0x003F

Chapter 6 Operation modes and control modes

Controller parameters can be set via the control panel or the RS232 port with host computer software. In the following introduction, both the panel address (if it' s available) and the internal address will be shown in the object tables.

6.1 General steps for starting a control mode

Step1: wiring

Make sure that the necessary wiring for the application is done correctly (refer to chapter 3);

Step 2: IO function configuration

See chapter 5.5 concerning meanings of the IO function and polarity

Table 6-1 Digital input function

Panel address	Internal address	Type	Name	Value (hex): description
d3.01	2010.03	Uint16	Din1_Function	0001: Enable 0002: Reset Errors 0004: Operation Mode sel
d3.02	2010.04	Uint16	Din2_Function	0008: Kvi Off 0010: P limit+ 0020: P limit-
d3.03	2010.05	Uint16	Din3_Function	0040: Homing Signal 0080: Invert Direction 0100: Din Vel Index0
d3.04	2010.06	Uint16	Din4_Function	0200: Din Vel Index1 1000: Quick Stop 2000: Start Homing
d3.05	2010.07	Uint16	Din5_Function	4000: Activate Command 8001: Din Vel Index2 8004: Multifunction0
d3.06	2010.08	Uint16	Din6_Function	8008: Multifunction1 8010: Multifunction2 8020: Gain Switch 0 8040: Gain Switch 1
d3.07	2010.09	Uint16	Din7_Function	8100: Motor Error 8200: Pre Enable 8400: Fast_Capture1 8800: Fast_Capture2 9001: PosTable Cond0 9002: PosTable Cond1 9004: Start PosTable 9008: PosTable Idx0 9010: PosTable Idx1 9020: PosTable Idx2 9040: Abort PosTable A001:Clear pulse A002:pause

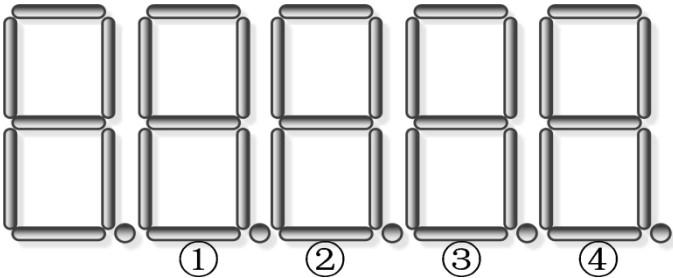
Table 6-2 Digital function output

Panel address	Internal address	Type	Name	Value (hex): description
d3.11	2010.0F	Uint16	Dout1_Function	0001: Ready 0002: Error
d3.12	2010.10	Uint16	Dout2_Function	0004: Pos Reached
d3.13	2010.11	Uint16	Dout3_Function	0008: Zero Speed 0010: Motor Brake
d3.14	2010.12	Uint16	Dout4_Function	0020: Speed Reached 0040: Enc Index
d3.15	2010.13	Uint16	Dout5_Function	0200: Speed Limit 0400: Drive Enable 0800: Position Limit 0400: Home Found 8002: Enc Warning 9001: PosTable Active

table 6-3 Polarity setting

Panel address	Internal address	Type	Name	Description
D3.08	2FF0.0D	10	Simplified IO Polarity	Set IO polarity
D3.09	2FF0.09	10	IO simulation	Used to simulate the input signal and force the output of a valid signal

Table 6-4 Digital input and output signal polarity and simulation setting method



	①	②	③	④
Polarity setting D3.08	input/output port 0: output 1: input	Channel input: 1-7 output: 1-5	keep	0: input and output ports are normally closed 1: input and output ports are normally closed Other than 0 or 1: check the current situation.
Simulation setting D3.09	Input/output port 0: output 1: input	Channel input: 1-7 output: 1-5	keep	0: no simulate signals, it will not force output of valid signal 1: simulate signals, it will force output of valid signal Other than 0 or 1: check the current situation.

example: setting d3.08 to "110.0" means that the DIN1 input port is a normally closed point, and setting d3.08 to "110.1" means that the DIN1 input port is a normally open point. Setting d3.09 to "110.0" means not to simulate the DIN1 input signal, and setting d3.09 to "110.1" means to simulate the DIN1 input signal.

Switch On Auto (expert only)

If the Enable function is not configured to DIN, the controller can be auto-enabled at power-on or reboot, with the following setting:

table 6-5 Switch_on_Auto

Panel address	Internal address	Type	Name	Value
D3.10	2000.00	unit8	Switch_on_Auto	1

→ Attention
This method is not recommended. Please consider all risks and related safety measures before using

Step 3: Set necessary parameters

The user can access a basic operating parameters list by clicking Controller->Basic Operation. For more parameters, please add according to the introduction in chapter 5.1.5. The following pages in this chapter introduce the operating parameters. Refer to chapter 7 concerning performance adjustment.

Table 6-6 basic parameters

Panel address	Internal address	Type	Name	Description
D0.00	6060.00	8	Operation_mode	-3 : Immediate speed mode 3 : Speed mode with acceleration and deceleration 1: position mode

				-4: Pulse mode 4: Torque Mode
D0.01	6040.00	10	Controlword	0x0F/0x2F: Used when operation_mode is -3, 3, -4, 4 and position flow mode 0x2F->0x3F: Activate the absolute position command, the absolute positioning command will not be executed immediately according to the change of the target position, it is used when the operation_mode is 1 0x4F->0x5F: Activate the relative position command, used when the operation_mode is 1 0x103F: Immediately execute the absolute positioning command according to the target position change, used when the operation_mode is 1 0x0F->0x1F: Used when starting to find the origin in 6 mode 0x06->0x86: Used when resetting drive faults 0x06: Loosen the shaft, turn off the drive enable
	607A.00	20	Target location	target absolute/relative position
	6081.00	20	trapezoidal velocity	Contour velocity in position mode
	6083.00	20	Profile_Acc	Profile acceleration, profile deceleration, for Operation_Mode 1 and 3
	6084.00	20	Profile_Dec	
	60FF.00	20	Target speed	Target speed in 3 operation_mode and -3 operation_mode
	6071.00	10	Target torque %	Target torque as a percentage of rated torque
	6073.00	10	Target current limit	Drive output current limit
D3.16	2020.0D	8	Din_Mode0	If Operation Mode Sel function is configured to DIN, Operation_Mode(6060.00)=Din_Mode0 when Din_Internal=0; Operation_Mode=Din_Mode1 when Din_Internal=1
D3.17	2020.0E	8	Din_Mode1	

D0.07	2690.00	8	Communication encoder data reset	<p>Since the absolute value encoder data is saved by the battery, when the device runs for the first time, it is necessary to clear the multi-turn data at the origin position. After clearing the encoder status and multi-turn data, restart/reset the drive.</p> <p>Communication encoder command write:</p> <p>1: clear encoder status 2: read fault word 3: Clear encoder status and multi-turn data 8; reset the status flag 9: Clear multi-lap data 10: Equivalent to 8 + 9 12: Clear lap data (requires factory password)</p> <p>Read:</p> <p>bit 0: 1 = Command can be entered bit 1: 1 = Last command execution completed</p>
-------	---------	---	----------------------------------	--



Attention

When the value directly written in the Operation_mode through the basic operation interface cannot be saved after power off and restart, the Operation_mode can be saved by configuring the Operation_mode control function on the input port of the drive, but it should be noted that the Operation_mode is selected 0 first. Set it with the value of operation mode selection 1, and then store the control parameters.

Step 4: Save and reboot

See Chapter 5

Step 5: Start operation

Start operation via DIN or PC software.



Attention

The DIN function has highest priority – the object value can not be modified manually anymore if it's configured in DIN, e.g. if the enable function is configured, Controlword(6040.00) cannot be modified manually via PC software.

6.2 Velocity mode (-3, 3)

There are 2 kinds of velocity mode: -3 and 3. The velocity command can be specified via Target_Speed or analog input (analog speed mode), or via digital input (DIN speed mode).

Table 6-7 Description of velocity mode's parameters

Panel address	Internal address	Type	Name	Description	Value
D0.00	6060.00	8	Operation_Mode	-3: The velocity command is specified directly by Target_Speed. Only the velocity control loop is active. 3: The velocity command is specified by Target_Speed with profile acceleration and profile deceleration. Velocity- and position control loops are active.	-3 or 3
	60FF.00	20	Target_Speed	Target velocity	User defined
	6040.00	10	Controlword	See table 6-5	0x0F, 0x06
D2.16	607E.00	8	Speed position direction control	run polarity reversal 0: Counterclockwise is the positive direction (default value) 1: Clockwise is the positive direction	0, 1



Attention

The speed position direction control cannot be modified in the enabled state.

6.2.2 DIN Speed mode

The Din_Speed object window in PC software can be accessed from menu item Controller->Control

Modes->DIN Speed Mode

Table 6-9 DIN Speed mode

Panel address	Internal address	Type	Name	Description	Value
D3.18	2020.05	20	Din_Speed[0]	The velocity command is specified via Din_Speed[x]. x is the BCD code of Bit 0: Din Vel Index0 Bit 1: Din Vel Index1 Bit 2: Din Vel Index2 A bit which is not configured means 0.	User defined
D3.19	2020.06	20	Din_Speed[1]		
D3.20	2020.07	20	Din_Speed[2]		
D3.21	2020.08	20	Din_Speed[3]		
D3.44	2020.14	20	Din_Speed[4]		
D3.45	2020.15	20	Din_Speed[5]		
D3.46	2020.16	20	Din_Speed[6]		
D3.47	2020.17	20	Din_Speed[7]		
	6083.00	20	trapezoidal acceleration	When the operation_mode is 3 mode, the trapezoidal acceleration and trapezoidal deceleration must be set, otherwise the response speed segment will not be executed.	
	6084.00	20	Trapezoidal deceleration		

Table 6-10 DIN Speed setting

DIN speed index 0	DIN speed index 1	DIN speed index 2	Speed	Value
0	0	0	Din_Speed[0]	User define
1	0	0	Din_Speed[1]	
0	1	0	Din_Speed[2]	
1	1	0	Din_Speed[3]	
0	0	1	Din_Speed[4]	
1	0	1	Din_Speed[5]	
0	1	1	Din_Speed[6]	
1	1	1	Din_Speed[7]	

0 means the signal is off, 1 means the signal is on.

The following points need to be noted when activating DIN speed mode:

1. DIN speed mode is only available in 3 or -3 operation_mode, invalid in other working modes.

2. Analog-speed control (250207) is 0, close the analog-speed channel.

3. At least one of DIN speed index 0, DIN speed index 1 and DIN speed index 2 is defined in the digital input DIN as the switching signal of the speed segment.

6.3 Torque mode(4)

In the torque mode, the CD3 motor controller causes the motor to rotate with a specified torque value.

Table 6-11 Torque mode

Panel address	Internal address	Type	Name	Description	Value
	6060.00	8	Operation_Mode	Set operation_mode to Torque mode	4
	6071.00	10	Target_Torque%	Target torque, percentage of rated torque	User defined
	6040.00	10	Controlword	Enable drive	0x0F、0x06
	607F.00	20	MAX speed limit	Motor running maximum speed limit	User defined
	60F5.06	10	Torque reaches benchmark	The limit value, the actual torque exceeds the reference data and the duration exceeds the filter time, the output torque of the Dout port reaches the setting, the unit is Ap	User defined
	60F5.07	10	Torque Reach Filter Time	When the actual torque reaches the reference value and the duration exceeds the filter time, Dout output torque reaches the setting, the unit is ms, the maximum is 32767	User defined
	60F5.08	10	Reach actual torque	Monitors the actual torque, the unit in Ap	/



Attention

The torque reach setting function of Dout can be used in any working mode.

6.4 Position mode(1)

In the position mode, the CD3 motor controller causes the motor to rotate to an absolute or relative position. The position / velocity command is specified via Target_Position / Profile_Speed or via position flow.

Table 6-13 Position mode

Panel address	Internal address	Type	Name	Description	Value
D0.00	6060.00	8	Operation_Mode	Set the working mode to absolute/relative position mode	1
	607A.00	20	Target_Position	Target absolute / relative position	User defined
	6081.00	20	Profile_Speed	Profile speed for positioning	User defined

	6083.00	20	Profile_ acceleration	Profile acceleration for positioning	User defined
	6084.00	20	Profile_ deceleration	Profile deceleration for positioning	User defined
	6040.00	10	Controlword	<p>0x2F->0x3F: Activate the absolute position command. The absolute positioning command will not be executed immediately according to the change of the target position. It is used when the operation mode is 1.</p> <p>0x4F->0x5F: Activate relative position command, used when the operation mode is 1.</p> <p>0x103F: Immediately execute absolute positioning instructions according to target position changes, used when the operation mode is 1.</p> <p>0x0F Location table mode</p>	<p>0x2F->0x3F</p> <p>0x4F->0x5F</p> <p>0x0F</p> <p>0x06</p> <p>0x103F</p>

6.4.1 DIN introduction to Location Position

First, when using the DIN position mode, at least one of the DIN position index 0, DIN position index 1, and DIN position index 2 must be defined in the I/O configuration as a switch signal for the position segment.

DIN position section can be opened through the drive -> control mode > DIN position mode in the upper computer software menu bar.

Table 6-14 DIN position mode instruction

Digital tube key address	Home address	Bits	Name	Description	Setting
	2020.01	20	Din_pos[0]	<p>The speed instruction of the drive is specified by DIN speed [x], where x is a BCD code consisting of the following signals:</p> <p>位 0: Din_pos[0];</p> <p>位 1: Din_pos[1] ;</p> <p>位 2: Din_pos[2];</p> <p>The case where the digits are all 0 cannot occur:</p>	User define
	2020.02	20	Din_pos[1]		
	2020.03	20	Din_pos[2]		
	2020.04	20	Din_pos[3]		
	2020.10	20	Din_pos[4]		
	2020.11	20	Din_pos[5]		
	2020.12	20	Din_pos[6]		

	2020.13	20	Din_pos[7]	
D3.40	2FF1.01	8	Din_position_selectL	Select the position segment L to be set (L range is 0-7, corresponding to the internal position segment 0-7 in turn)
D3.41	2FF1.02	10	Din_position_M	Number of pulses set in position segment (L) =M*10000+N
D3.42	2FF1.03	10	Din_position_n	

For example

The configuration interface of I/O is shown in the following figure:

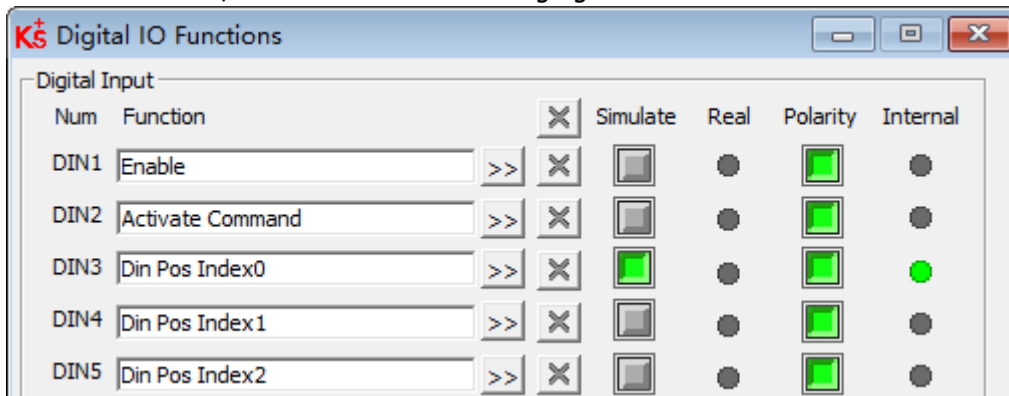


Figure 6-2: DIN Configuration window

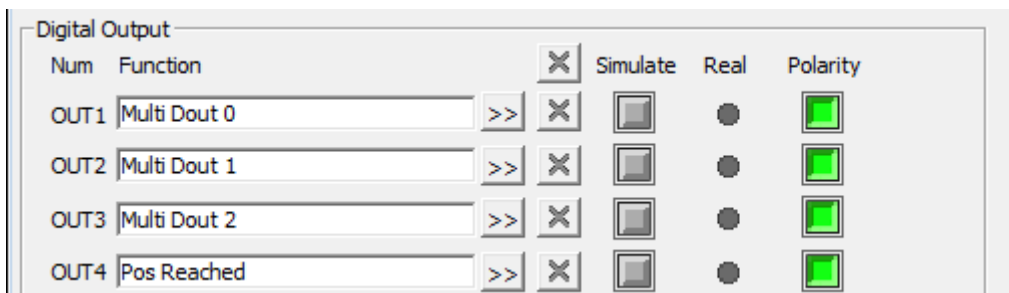


Figure 6-3 DOUT Configuration window

Table 6-15 DIN Location mode setting

Digital tube key address	Home address	Bits	Name	Description
D3.17	2020.0E	Operation mode choose 1	1	
	2020.02	Din Position [1]	User define	DEC
	2020.06	Din Speed [1]	User define	rpm
	6083.00	Profile_acceleration	User define	rps/s
	6084.00	Profile_deceleration	User define	rps/s

After enabling, select the position segment to go, the simulation command is activated, the drive executes the program of the selected position segment, and outputs the multi-function signal 0 after reaching the Din position [1].



- In the multi-segment position mode, the position-to-signal of the 1-7 segment of the Din position is represented by the BCD code composed of the multi-function signal 0-2.
- The command activation can set the bit4 of the control word to activate the position command. The level change of the DIN position index 0~2 can also activate the position command. However, when the first segment is positioned as DIN position 0 after enabling, there is no index signal. The level change cannot activate the DIN position 0, so the DIN input port definition command is required to activate.

6.4.2 Position flow mode

The position flow mode is used to run a positioning flow with up to 32 tasks in the position mode. Each task includes information about target position, velocity, acceleration, deceleration, next task stop / go, next task index, condition to go to next index, total loops and etc.

The Start PosTable function must be configured to a DIN in order to make the position flow mode available. Other position flow functions are optional.

Table 6-16 Input port function of PosTable mode

Name	Description
PosTable Cond0	If Cond0 ON, Condition0 = PosTable Cond0 (refer to introduction concerning Cond0 ON)
PosTable Cond1	If Cond1 ON, Condition1 = PosTable Cond1 (refer to introduction concerning Cond1 ON)
Start PosTable	Start position flow
PosTable Idx0	Entry index of position flow, bit0: PosTable Idx0; bit1: PosTable Idx1; bit2: PosTable Idx2. A bit which is not configured to DIN means 0.
PosTable Idx1	
PosTable Idx2	
Abort PosTable	Abort position flow

Table 6-17 OUT functions of the position flow mode

Name	Description
PosTable Active	Position flow mode running

In the PC software, click menu item Controller->Control Modes->Position flow Mode in order to enter position flow parameter settings.

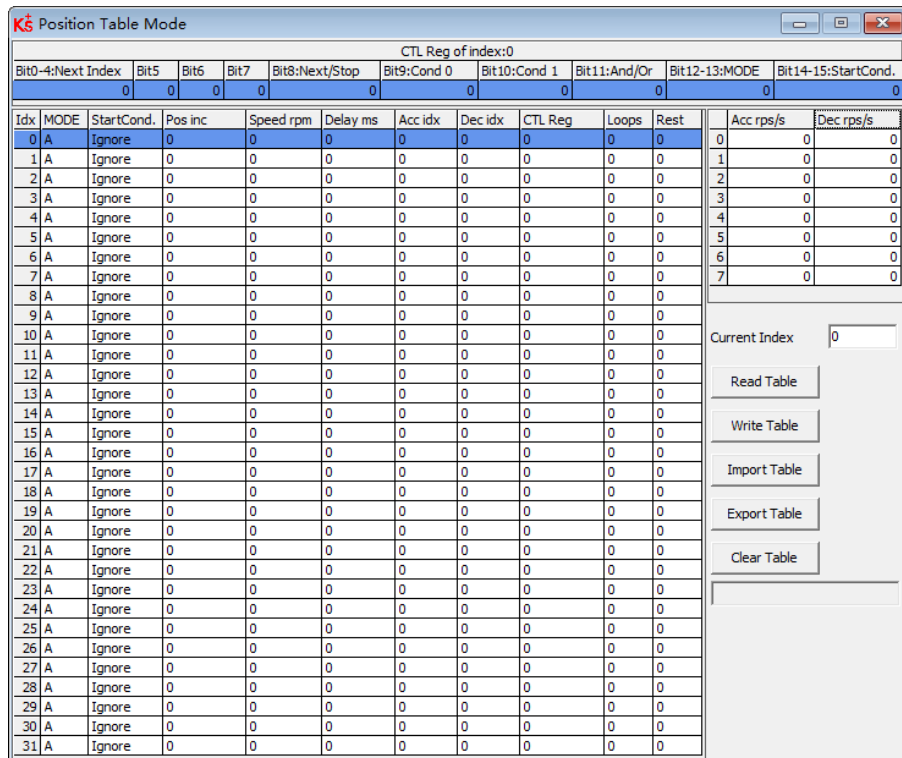


Figure 6-2 Position flow mode window

The DIN Start PosTable signal (rising edge) triggers the entry index (specified via the DIN function) task, but whether or not the task is executed depends on the start condition (CTL reg bit14-15). After one task is finished, it goes to the next index (CTL reg bit0-4) or stops, depending on Next / Stop (CTL reg bit 8), Condition (CTL reg bit 9-11) and Loops. The current index box shows the index of the task which is being executed.

Up to 32 position control tasks can be set, and each task contains the following items:

Idx: Index of task, range: 0-31

Posinc: Position command

Speed rpm: Speed command during positioning

Delay ms: Delay time before going next index(unit: ms).

Accidx, Dec idx: Range: 0-7, index of profile acceleration, deceleration during positioning, related acc / dec value is set in following area fields:

	Acc rps/s	Dec rps/s
0	0	0
1	0	0
2	0	0
3	0	0
4	0	0
5	0	0
6	0	0
7	0	0

Figure 6-3 Acceleration and deceleration table

CTL Reg: Contains following bits:

Bits 0-4: Next index, defines the index of the next position control task

Bits 5-7: reserved

Bit 8: Next / stop,

1: Next; go to next task if condition (see bit9-11) = 1 and loops checking is OK (see Loops) after current positioning task is finished.

0: Stop; stop after current positioning task is finished

Bit9: Cond0 ON,

1: Cond0 ON; condition0 means Logic status of DIN function PosTable Cond0.

0: Cond0 OFF

Bit 10: Cond1 ON,

1: Cond1 ON; condition1 = Rising edge of DIN function PosTable Cond1.

0: Cond1 OFF

Bit 11: and / or; only on case of both Cond0 and Cond1 is ON,

1: AND; Condition = (Condition0&&Condition1).

0: OR; Condition = (Condition0||Condition1).

**Attention**

Condition = 1 if neither Cond0 nor Cond1 is ON

Condition = Condition0 if only Cond0 is ON

Condition = Condition1 if only Cond1 is ON

Bits 12-13: MODE, mode of the position command,

0 (A): Posinc is the absolute position.

1 (RN): Posinc is the position relative to current target position.

2 (RA): Posinc is the position relative to the actual position.

Bits 14-15: StartCond, start condition. If this task is triggered by the Start PosTable signal, normally the controller will execute it immediately, but if there' s a positioning task still running:

0 (ignore): ignore.

1 (wait): execute this command after current task is finished (without delay).

2 (interrupt): interrupt the current task, execute this command immediately.

For convenience, all CTL_Reg bits can be set in the following fields:

CTL Reg of index:0									
Bit0-4:Next Index	Bit5	Bit6	Bit7	Bit8:Next/Stop	Bit9:Cond 0	Bit10:Cond 1	Bit11:And/Or	Bit12-13:MODE	Bit14-15:StartCond.
0	0	0	0	0	0	0	0	0	0

Figure 6-4 CTL Reg edit

Loops

- Defines loop limit for the task which is running in loops;
 - 0: no limit,
 - ≥ 1: position flow stops when loop count = loops, or if the next index' s loop count = next index' s loops.

Remaining

- The remaining number of times the task can be executed , invalid when the Loops is 0.

The data is imported from the loop when the position flow is started. Each time a task is executed, the remaining number of times is reduced by one. When the remaining number of times is reduced to 0, the corresponding task will exit the execution.

Copy and paste

- The task information of the location table can be copied to another row. Right-click on the task of any row selected, and the following window will appear. Click Copy Row, then select another row, and click Paste Row.

Idx	MODE	StartCond.	Pos inc	Speed rpm	Delay
0	A	Ignore	0	0	0
1	A	Ignore	0	0	0
2	A	Ignore	0	0	0
3	A	Ignore	0	0	0
4	A	Ignore	0	0	0
5	A	Ignore	0	0	0
6	A	Ignore	0	0	0

Figure 6-5 Position flow copy

Activate position flow

- After the setting of position flow , click button to write it into drive.
- Start the table via DIN with the Start PosTable function. The entry index task is triggered and position flow is started (via StartCond rule).
- The DIN AbortPosTable signal (rising edge) or deleting the Start PosTable function configuration in DIN aborts a running position flow after the currently running task is finished.
- Position flow is aborted immediately if an error occurs or if the Operation_Mode is changed.

➔ **Attention** ⏪

The table in the window is not written to the controller automatically. The button has to be clicked. The table can be read out of the controller and into the window by clicking the button. A table can be imported from an existing .pft file to the window by clicking , and it can be exported from the window to a .pft file by clicking . ⏪

6.5 Pulse mode (-4)

In the pulse mode, the target velocity command is specified via the pulse input with gear ratio , Please refer to Figure 4-4 in Chapter 4.3.2 for the wiring method in pulse mode. It can be debugged by expanding the relevant parameters in the software.

Table 6-18 Pulse Mode

Panel address	Internal address	Type	Name	Description	Value
	6060.00	8	Operation_Mode	Setting operation mode	-4
D3.34	2508.01	10	Gear_Factor[0]	Gear_ratio=Gear_Factor/Gear_Divider	用户定义
D3.35	2508.02	10	Gear_Divider[0]		
	6040.00	10	Controlword	Enable drive	0x2F:
D3.36	2508.03	8	PD_CW	Pulse train mode 0: CW / CCW 1: Pulse / direction 2: A / B (incremental encoder)	0, 1, 2

D1.21	2508.04	20	Gear Pre-pulse data	The main encoder port counts before inputting pulse electronic gear	
D1.22	2508.05	20	Gear Post-pulse data	The main encoder port counts after inputting pulse electronic gear	
D1.23	2508.0C	10	Gear Pre-pulse frequency	Pulse speed of spindle input(pulse/ms)	
D1.24	2508.0D	10	Gear post-pulse frequency	Speed after spindle input pulse gear ratio (pulse/ms)	
D3.37	2508.06	10	PD_Filter	Pulse filter (ms)	
D3.38	2508.08	10	Frequency_Check	Frequency limit (inc/ms), if pulse count (in 1 ms) is greater than Frequency_Check, over frequency error occurs.	Users define
	2507.01	20	Position fine-tuning	Position fine-tuning is used to set the position data to be fine-tuned in pulse mode, the unit is inc, the default value is 0	
	2507.02	20	Speed Fine tuning	Speed fine-tuning is used to set the speed when performing position fine-tuning, the unit is inc/ms, the default value is 0	
	3046.00	08	CPLD Pulse Filter Configuration	CPLD internal filter is used for pulse input port, only for pulse signal with 50% duty cycle, the filter frequency is: 0: 4MHz 1: 3.2MHz 2: 2MHz 3: 1.6MHz 4: 500KHz(Default) 5: 330KHz 6: 250KHz 7: 125KHz Note: The filter frequency must be higher than the Gear pre-pulse frequency	Users define

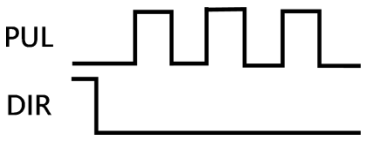
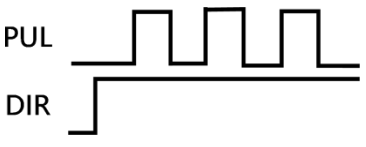
6.5.1 Pulse mode setting steps









Step1: Confirm pulse mode

Select the pulse mode according to the type of external input pulse signal, After the pulse mode is

modified, it needs to be saved and restarted to take effect.

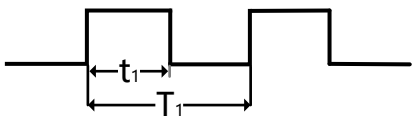
Table 6-16 Pulse input supported by the drive

Pulse mode	Forward	Reverse
P/D	 <p>PUL</p> <p>DIR</p>	 <p>PUL</p> <p>DIR</p>

<p>CW/CCW</p>	<p>PUL </p> <p>DIR </p>	<p>PUL </p> <p>DIR </p>
<p>A/B</p>	<p>PUL </p> <p>DIR </p>	<p>PUL </p> <p>DIR </p>

Step2: Confirm CPLD Pulse Filter Setting

The CPLD filter inside the drive is used to filter the high-frequency clutter at the pulse input port to prevent pulse interference. This filter is only valid for pulsed signals with a 50% duty cycle. It should be noted that the filter frequency must be greater than the pulse frequency before the gear, otherwise the effective pulse signal will be filtered.

<p>50% Pulse duty cycle</p>	<p style="text-align: center;">50% duty cycle = $(t_1/T_1) \times 100\%$</p> <p style="text-align: center;">Pulse signal </p>
-----------------------------	--

Step3: Confirm the electronic gear ratio

Electronic gear numerator/ Electronic gear denominator = 65536 / number of external input pulses
 Example: If the number of external input pulses is 10000 to make the motor rotate once, the electronic gear ratio should be 65536:10000, the numerator of the electronic gear should be set to 4096, and the denominator of the electronic gear should be set to 625.

Step4: Basic parameter settings before running

After setting the parameters of the first three steps, you can check whether there is data in the pre-gear pulse data, and whether the pre-gear pulse frequency is consistent with the pulse frequency sent by the host device. After confirmation, the working mode and the control word can be set to run the motor. The running direction of the motor can be adjusted by modifying the speed, position and direction control.

6.5.2 Other function

Pulse filter coefficient: Set the filter coefficient so that the externally input pulse command can be smoothly input to the drive. Adjusting this parameter can reduce the motor vibration caused by the high electronic gear ratio setting or the lack of acceleration and deceleration of the pulse command. If the coefficient is set too high, the motor response may be slowed down. The filter coefficient can only be adjusted when the motor is stopped

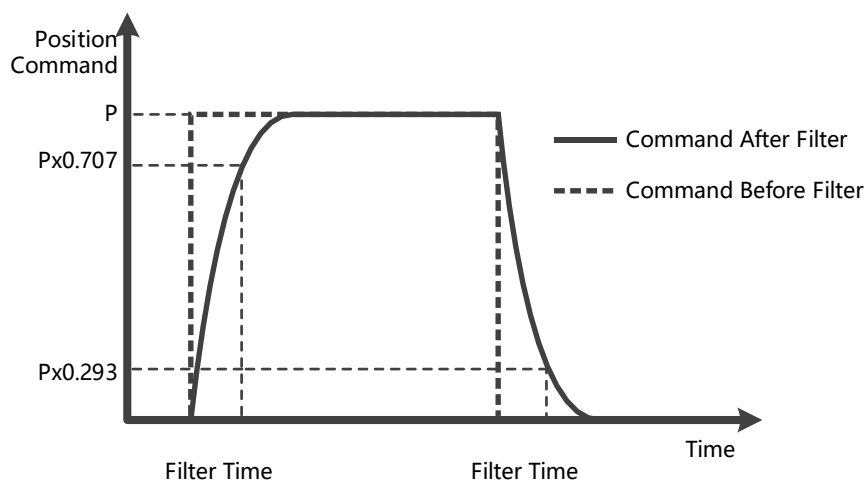


Figure 6-6 Pulse filter principle

Clear pulse: The clear pulse function in DIN can clear the number of pulses that the drive has received but not completed, and the deviation pulse can be adjusted during operation. When DIN defines a clear pulse and the actual input changes from 0 to 1, use the rising edge to clear the deviation between the pre-gear pulse data and the post-gear pulse data.

Position fine-tuning: Position fine-tuning is used to set the position data to be fine-tuned in pulse mode, speed fine-tuning is used to set the speed of fine-tuning during position fine-tuning, and the fine-tuning function can be used during pulse positioning operation. When the position fine-tuning and speed fine-tuning are 0, it means that the fine-tuning function is not enabled.

6.5.3 Electronic gear ratio switching (expert mode)

This function can only be used by expert!

The drive supports 8 sets of electronic gear ratio settings, these settings are only valid in pulse mode (Refers to Chapter 6.5) .

Table 5-4 Electronic gear ratio switching

Internal address	type	name	默认值	单位
2508.01	Int16	gear molecule [0]	1000	Dec
2508.02	UInt16	gear denominator [0]	1000	Dec
2509.01	Int16	gear molecule [1]	1000	Dec
2509.02	UInt16	gear denominator [1]	1000	Dec
2509.03	Int16	gear molecule [2]	1000	Dec
2509.04	UInt16	gear denominator [2]	1000	Dec
2509.05	Int16	gear molecule [3]	1000	Dec
2509.06	UInt16	gear denominator [3]	1000	Dec
2509.07	Int16	gear molecule [4]	1000	Dec
2509.08	UInt16	gear denominator [4]	1000	Dec
2509.09	Int16	gear molecule [5]	1000	Dec
2509.0A	UInt16	gear denominator [5]	1000	Dec
2509.0B	Int16	gear molecule [6]	1000	Dec

2509.0C	Uint16	gear denominator [6]	1000	Dec
2509.0D	Int16	gear molecule [7]	1000	Dec
2509.0E	Uint16	gear denominator [7]	1000	Dec

The actual electronic gear ratio used is the electronic gear numerator [x], electronic gear denominator [x], x is a BCD code composed of multi-function input:

Bit0: muti-function input 0

Bit1: muti-function input 1

Bit2: muti-function input 2

Undefined bit is 0

Example:



Figure 5-11 Multi-function define

Muti-function input 0 = 0, Muti-function input 1 = 1, Muti-function input 2 = 2, so x = 6, The actual electronic gear ratio used is the electronic gear numerator [6] gear denominator [6].



Attention

After the electronic gear ratio is switched, the deviation of the pulse data after the gear is a normal phenomenon. Please use this function with caution.

6.5.4 Master-slave mode

The master-slave mode is a type of pulse train mode – PD_CW = 2. The pulse input for the slave controller comes from an external incremental encoder or the encoder output of the master controller.

Encoder output (ENCO) signal resolution of the master controller is specified via Encoder_Out_Res.

Table 6-17 Master-slave mode

Drive	Internal address	Bit	Name	Description	value
Master drive	2340.0F	20	Encoder crossover resolution	It can be used to set the number of encoder pulses output by the drive after the motor rotates once	User define
Slave drive	2508.03	8	Pulse mode	Slave drive is set to incremental encoder mode	2

Wiring:

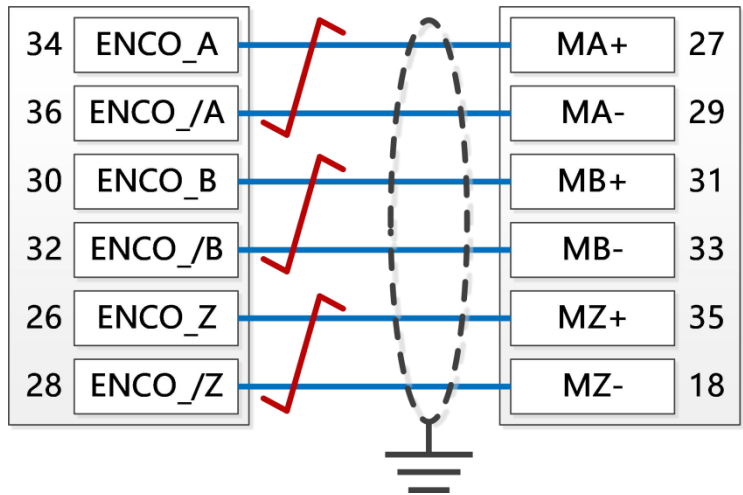


Figure 6-6 Master slave wiring



Attention

Forward rotation means positive position counting, the default is CCW direction, you can set the speed position direction control (607E.00) = 1, change the rotation direction of the motor shaft

6.6 Full closed loop mode

The servo drive is connected to the encoder/grating ruler feedback signal at the mechanical end for more accurate closed-loop control, which avoids positioning errors due to the mechanical system.

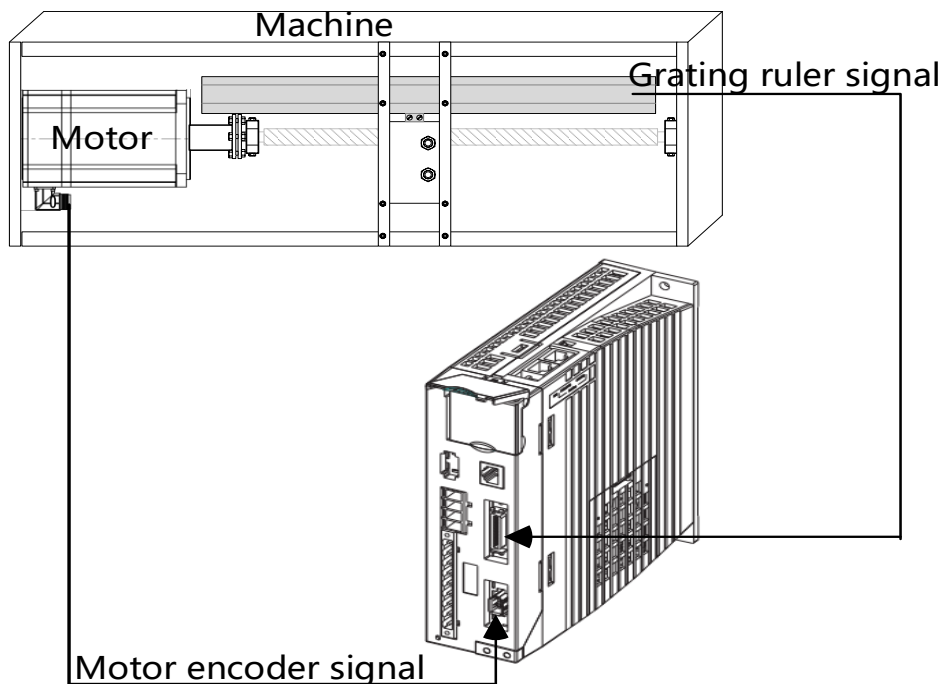


Figure 6-7 Full Closed Loop Application Case

Figure 6-18 full closed loop mode

Internal address	Type	Attribute	Name	Description	Units
250A01	20	RW	Master_Enc_Period	Fill in the resolution of the external encoder	inc
250A02	08	RW	Closed_Loop_Control	0: normal mode 1: closed position mode 2: closed velocity&position mode	DEC
250A03	08	RW	Master_Enc_Direction	1: direction by wiring 0: reverse direction	DEC

250A04	10	RW	Closed_Loop_Err_Filter	master encoder and motor encoder counting direction checking time, Unit: ms. If the direction is different and lasting time \geq Closed_Loop_Err_Filter, would create error, otherwise motor shaft would rotate at Max speed.	ms
250A05	10	RW	Check_Master	When the absolute value of the spindle speed is less than the total closed-loop	DEC
250A06	10	RW	Check_Slave	spindle inspection data, if the absolute value of the slave shaft speed is greater than the total closed-loop slave shaft inspection, the full closed-loop fault will be reported. When either of these values is 0, the check is not turned on. master encoder absolute position	DEC
250A07	20	R	Pos_Abs_Master		inc
250A08	10	R	Master_Speed_VL	master encoder speed, unit: inc/250 μ s	inc/250 μ s
250804	20	RW	Gear front pulse data	The main encoder port input pulse electronic gear front count	DEC
250803	08	RW	Master_Speed_VL	0: CW/CCW, Double pulse mode1: P/D, Pulse direction mode (factory default) 2: A/B, Orthogonal (incremental encoder) mode	DEC
250A09	08	RW	Check_Rate	The full closed-loop main encoder and motor speed fluctuation ratio detection can appropriately increase the ratio when the inevitable flexible connection slip occurs between the main shaft and the main shaft.	%

The full closed-loop control wiring is shown in the figure below:

① Use the regular pulse interface to connect the external encoder signal, the output frequency of the external encoder is required to be below 500KHz, and the signal voltage range is 3.3-30VDC.

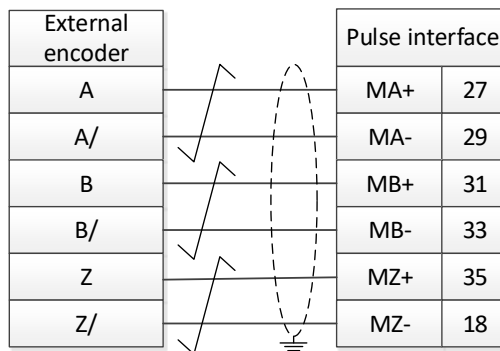


Figure 6-7 Fully closed loop control connection to regular pulse interface

②Use the high-speed pulse interface to connect the external encoder signal, the output frequency of the external encoder is required to be below 4MHz, and the signal voltage range is 3.3-5VDC.

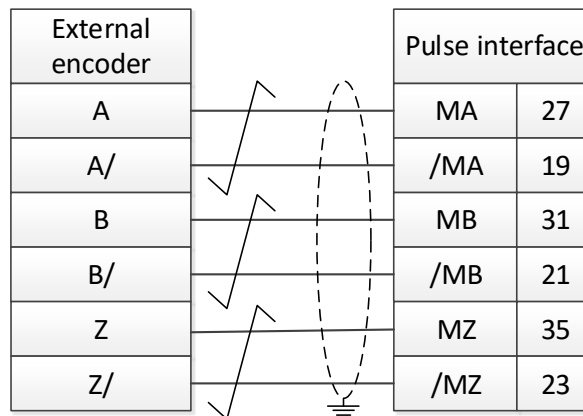


Figure 6-8 Full closed-loop control to connect high-speed pulse interface



Attention

The full closed-loop control function occupies the pulse input port, and the drive cannot use the pulse mode after using this mode to control.

6.6.1 Full closed loop control operation steps

Step 1: Add the full closed loop parameters

All the control parameters of the full closed loop need to be added to the window by the user. The control parameters of the full closed loop are in group 250A of the object dictionary. You can add full closed-loop parameters from the object dictionary to a window by right-clicking on any window in the software and selecting Add. The added software window interface can be saved as.kpj file through the file F -- save in the software menu bar for subsequent debugging..

N	Index	Type	Name	Value	Unit
0	25080C	int16	Master_Speed	0	DEC
1	250801	int16	Gear_Factor[0]	1000	DEC
2	250A02	uint8	Closed_Loop_Control	0	DEC
3	250A03	uint8	Master_Enc_Direction	1	DEC
4	250A04	uint16	Closed_Loop_Err_Filter	10.00	ms
5	250A05	int16	Check_Master	0	DEC
6	250A06	int16	Check_Slave	0	DEC
7	250A07	int32	Pos_Abs_Master	0	DEC
8	250A08	int16	Master_Speed_VL	0.00	inc/250us
9	250A09	uint8	Check_Rate	2.34	%

Figure 6-9 Close loop setting window

Step 2: confirm pulse mode

Wiring according to the out signal of the external encoder and confirm the pulse mode according to the signal type of the external encoder. Rotate the external encoder and you can see the continuous change of the front pulse data of the gear.

When the external encoder moves a fixed distance and feeds back the same gear pre-pulse data, you can enter the next step, otherwise, please check the external encoder installation, hardware wiring and pulse mode again.



Attention

After the change of pulse mode (2508.03) the control parameter need to be saved and it will effect after reboot drive.

Step 3: Set the main encoder cycle

The main encoder cycle needs to fill in the number of AB-phase pulses between two adjacent Z-phase signals of the external encoder. If the rotary encoder has 1 Z-phase signal per revolution, the main encoder period is equal to the resolution of the external encoder. Setting the main encoder cycle to 0 means not to detect the number of pulses between adjacent Z signals.

Step 4: Sets the main encoder counting direction

When the counting direction of the main encoder and the motor encoder is inconsistent, the full closed-loop fault alarm will appear when the full closed-loop control is turned on, which can be adjusted by the counting direction of the main encoder (0x250A03).

Main encoder count the default value is 1, rotate the motor shaft and observe its absolute position and the main direction of the change of the absolute position encoder, if change the position of the two objects in the same direction you do not need to modify the master the direction of the encoder count number, if two position changes direction is not consistent the direction should be the main encoder count is set to 0. Note: All above operations are done with loose shafts.

Step 5: Set up full-closed-loop master check and full-closed-loop slave check

These two parameters are mainly used to prevent the external encoder from skidding during the full closed-loop operation. When the running speed of the main encoder and the running speed of the motor are not within the ratio range of the full closed-loop spindle inspection/the full closed-loop slave-shaft inspection, the full closed-loop fault and internal error of the drive will be reported. The values could not be set too large, otherwise it may cause the motor fly.

The calculation method of the master-slave axis ratio is as follows: Firstly, the full closed-loop control is set to 0 and the mechanical connection between the motor and the main encoder is intact and non-skid. Clear the gear front pulse data and remember the actual position value (such as 150231), manually rotate the motor to drive the main encoder to operate for a certain distance, then observe the gear front pulse data and the actual position, and confirm the ratio according to the difference between the two positions. As shown in the table below, according to the final results, the full closed-loop spindle check = 1586 and the full closed-loop slave shaft check = 1000 are calculated.

Table 6-19 Calculation method of master-slave shaft inspection

	Gear Pre-pulse data	The actual position of motor
initial value	0	150231
End value	50677	182179
D-value	50677	31948
Proportion	$50677/31948=1.586$	

Step 6: Set up full closed-loop proportional detection

The operating speed of the full closed-loop main encoder and motor fluctuates within the range, and the default value is 2.34%. If the flexible connection of the master and slave shafts slips seriously, the proportion can be increased appropriately.

6.7 Homing mode(6)

or some applications, the system needs to start from the same position every time after power on. In the homing mode, the user can specify the system's home position and a zero (starting) position.

Click menu item Controller->Control Modes->Homing definition, and the following window appears:

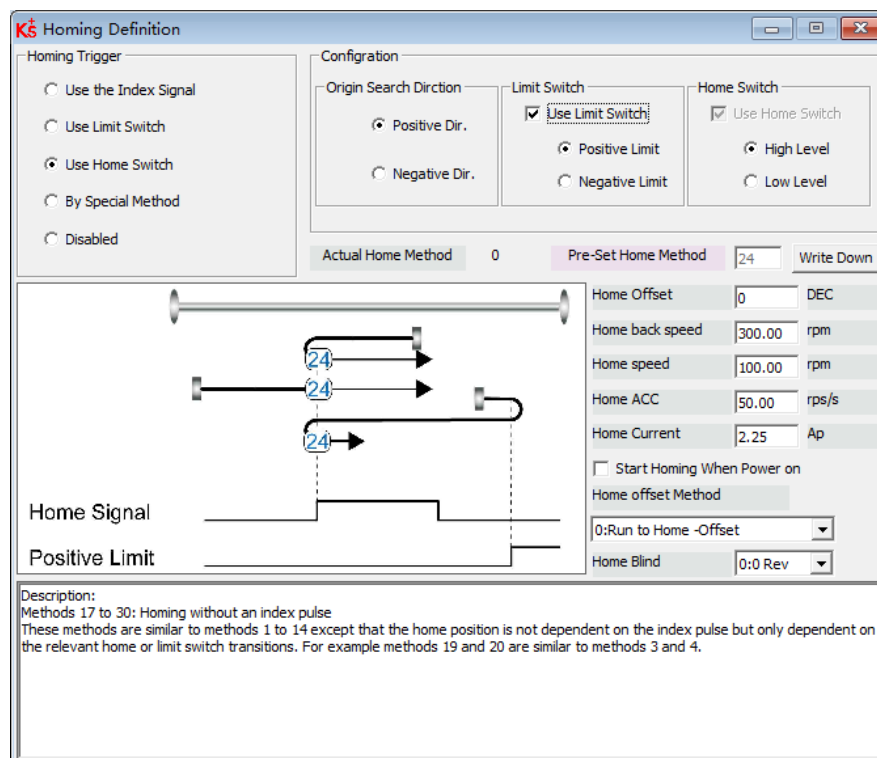


Figure 6-10 Homing setting

Select a home trigger under Homing Trigger. The related items appear in the configuration area. Select a suitable item according to mechanical design and wiring. The appropriate homing_method then appears in the Pre-Set Home Method box. If Disabled is selected under homing trigger, you enter a number directly to the Pre-Set Home Method field. Click

Write Down

to set it to the controller. The corresponding diagram of the Pre-Set Home method appears in the description in the middle area. All homing mode objects are listed in following table:

Table 6-19 Homing mode

Internal address	name	bit	Value	Description
607C.00	Home_Offset	20	User defined	Zero position offset to the home position
6098.00	Homing_Method	8	User defined	Chose the homing method
6099.02	Homing_Speed_Zero	20	User defined	Velocity for finding home position and zero position
6099.03	Homing_Power_On	8	0, 1, 2	0: Default, turn off the Homing_Power_On。 1: Start homing after power on or reboot and first controller enable 2: Automatically save the origin position of the multi-turn absolute encoder motor
609A.00	Homing_Accelaration	20	User defined	Profile deceleration and acceleration during homing
6099.01	Homing_Speed_Switch	20	User defined	Velocity for searching position limit switch / home switch signal
6099.04	Homing_Current	10	User defined	Max. current during homing
6099.05	Home_Offset_Mode	8	0, 1	0: Go to the homing offset point. The actual position will be 0. 1: Go to the home trigger point. The actual position will be -homing offset.
6099.06	Home_N_Blind	8	0, 1	Home blind window
6060.00	Operation_Mode	8	6	Operation mode of drive
6040.00	Controlword	10	0x0F->0x1F	Enable drive

**Attention**

Homing_Power_On=1 causes the motor to start rotating as soon as the controller is enabled after power on or reboot. Consider all safety issues before using.

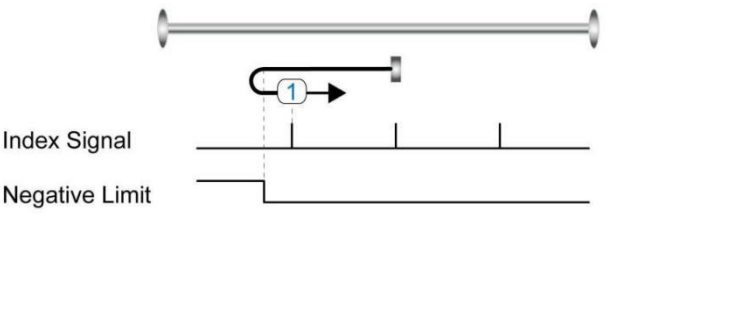
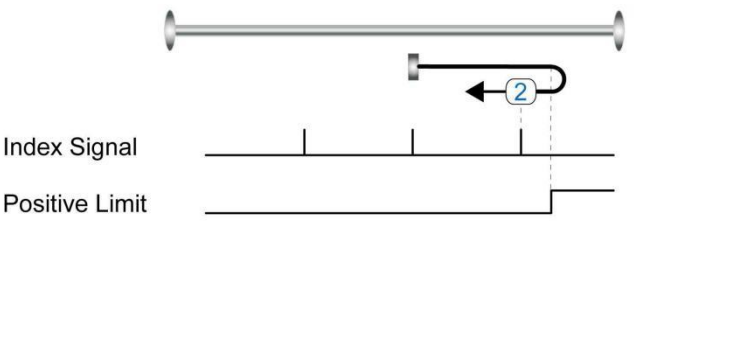
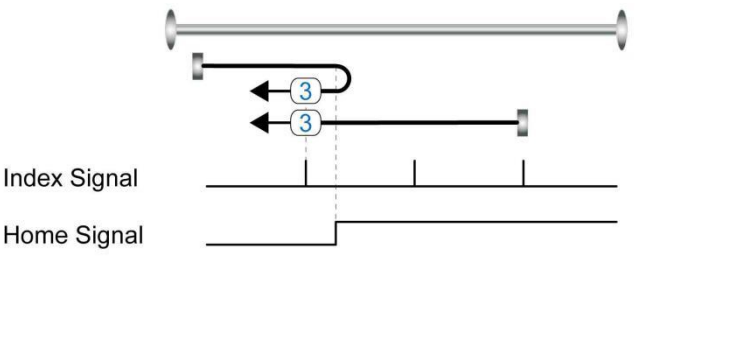
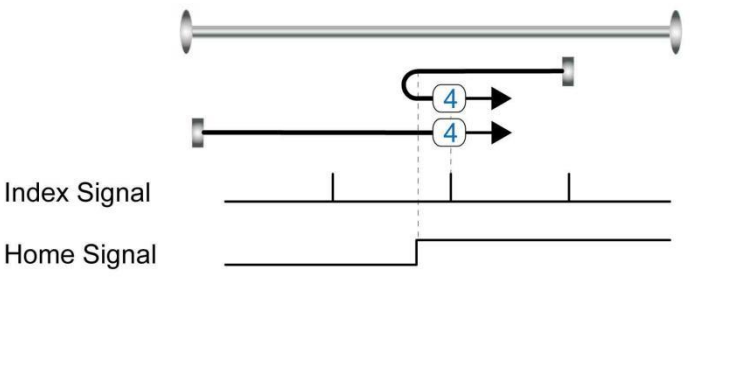
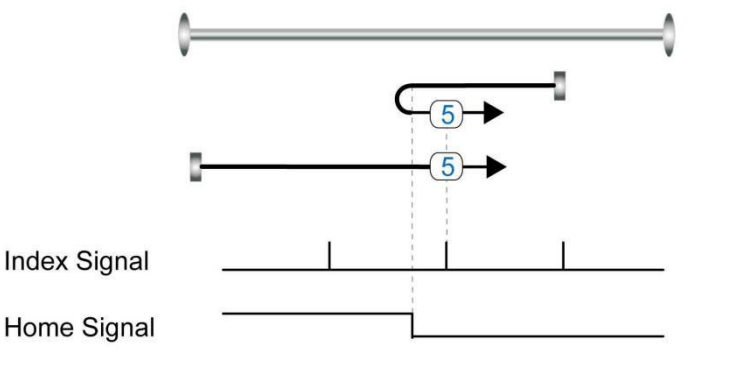
Home N Blind:

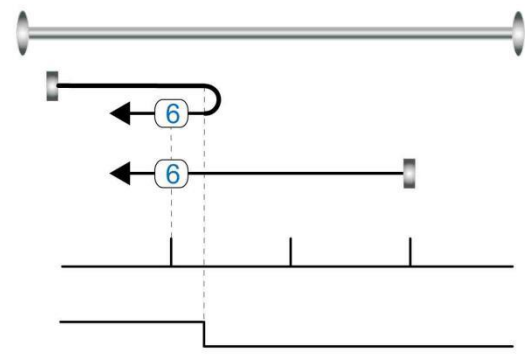
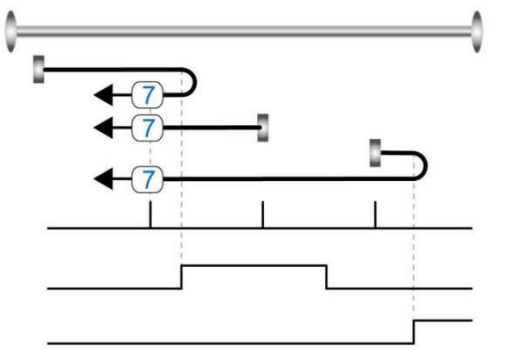
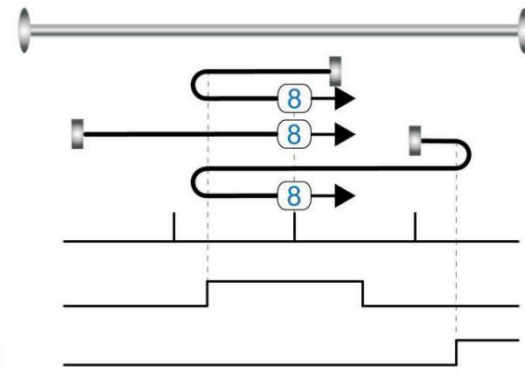
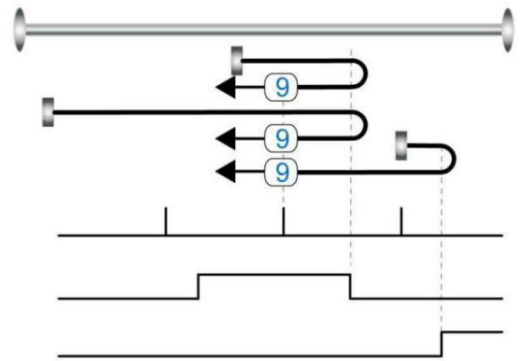
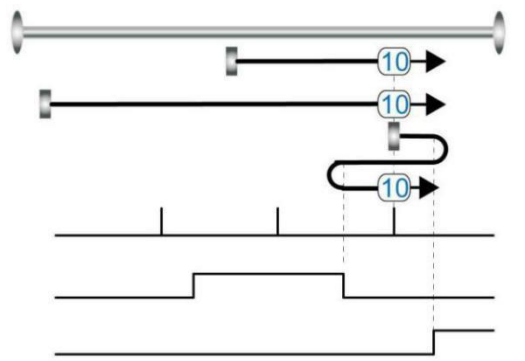
If the homing_method needs home signal (position limit / home switch) and index signal, Home_N_Blind function can avoid the homing result being different with the same mechanics, when the Index signal is very close to the home signal. By setting to 1 before homing, the controller detects a suitable blind window for homing automatically. It can be used to assure that homing results are always the same.

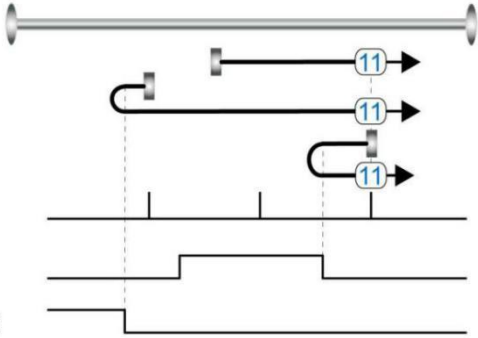
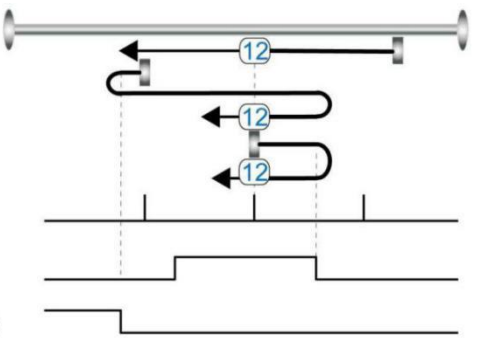
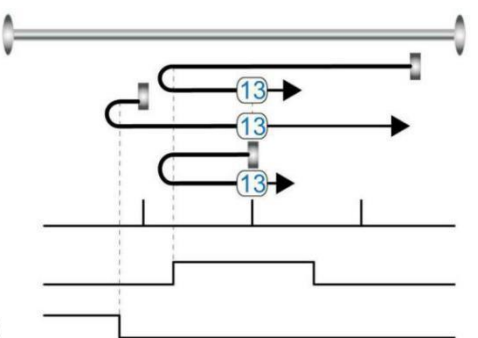
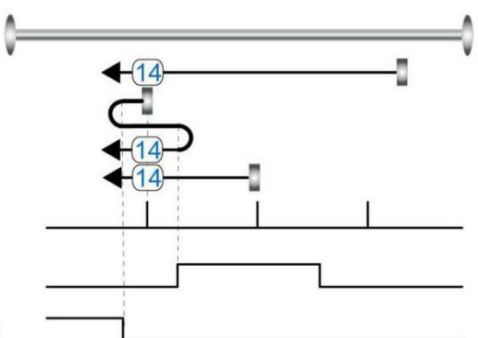
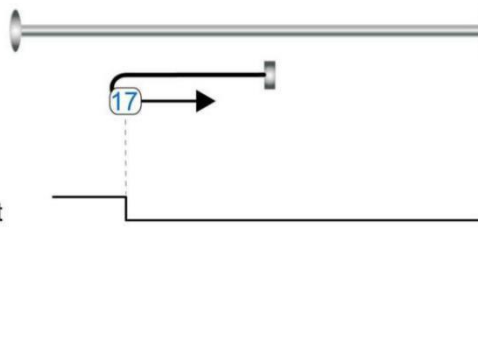
During homing, the index signal inside this blind window is ignored after the home signal is found. Home_N_Blind (0:0rev;1:0.25rev;2:0.5rev) is defaulted to 0. If it's set to 1, it's changed to 0 or 2 after homing depending on the index signal position relative to the homing signal. This parameter needs to be saved. If the mechanical assembly is changed or the motor has been replaced, just set it to 1 again for initial homing.

Table 6-20 Introduction to the homing method

Homing_Metho	Description	Schematic

d		
1	Homing with negative position limit switch and index pulse	
2	Homing with positive position limit switch and index pulse	
3	Homing with home switch and index pulse	
4	Homing with home switch and index pulse	
5	Homing with home switch and index pulse	

<p>6</p>	<p>Homing with home switch and index pulse</p>	 <p>Index Signal</p> <p>Home Signal</p>
<p>7</p>	<p>Homing with positive position limit switch, home switch and index pulse</p>	 <p>Index Signal</p> <p>Home Signal</p> <p>Positive Limit</p>
<p>8</p>	<p>Homing with positive position limit switch, home switch and index pulse</p>	 <p>Index Signal</p> <p>Home Signal</p> <p>Positive Limit</p>
<p>9</p>	<p>Homing with positive position limit switch, home switch and index pulse</p>	 <p>Index Signal</p> <p>Home Signal</p> <p>Positive Limit</p>
<p>10</p>	<p>Homing with positive position limit switch, home switch and index pulse</p>	 <p>Index Signal</p> <p>Home Signal</p> <p>Positive Limit</p>

<p>11</p>	<p>Homing with negative position limit switch, home switch and index pulse</p>	 <p>Index Signal</p> <p>Home Signal</p> <p>Negative Limit</p>
<p>12</p>	<p>Homing with negative position limit switch, home switch and index pulse</p>	 <p>Index Signal</p> <p>Home Signal</p> <p>Negative Limit</p>
<p>13</p>	<p>Homing with negative position limit switch, home switch and index pulse</p>	 <p>Index Signal</p> <p>Home Signal</p> <p>Negative Limit</p>
<p>14</p>	<p>Homing with negative position limit switch, home switch and index pulse</p>	 <p>Index Signal</p> <p>Home Signal</p> <p>Negative Limit</p>
<p>17</p>	<p>Homing with negative position limit switch</p>	 <p>Negative Limit</p>

<p>18</p>	<p>Homing with positive position limit switch</p>	
<p>19</p>	<p>Homing with home switch</p>	
<p>20</p>	<p>Homing with home switch</p>	
<p>21</p>	<p>Homing with home switch</p>	
<p>22</p>	<p>Homing with home switch</p>	

<p>23</p>	<p>Homing with positive position limit switch and home switch</p>	<p>Home Signal</p> <p>Positive Limit</p>
<p>24</p>	<p>Homing with positive position limit switch and home switch</p>	<p>Home Signal</p> <p>Positive Limit</p>
<p>25</p>	<p>Homing with positive position limit switch and home switch</p>	<p>Home Signal</p> <p>Positive Limit</p>
<p>26</p>	<p>Homing with positive position limit switch and home switch</p>	<p>Home Signal</p> <p>Positive Limit</p>
<p>27</p>	<p>Homing with negative position limit switch and home switch</p>	<p>Home Signal</p> <p>Negative Limit</p>

<p>28</p>	<p>Homing with negative position limit switch and home switch</p>	
<p>29</p>	<p>Homing with negative position limit switch and home switch</p>	
<p>30</p>	<p>Homing with negative position limit switch and home switch</p>	
<p>33, 34</p>	<p>Homing with index pulse</p>	
<p>35</p>	<p>Homing to actual position</p>	
<p>-17, -18</p>	<p>Homing via mechanical limit</p>	

6.8 Other functions

6.8.1 Limit function

In order to ensure that the motor runs within the stroke range allowed by the mechanical structure, the motor can be prevented from overtravel running by inputting the limit signal.

Table 6-21 Limit setting

Panel address	Internal address	Bit	Name	Description
D3.04	2010.06	16	DIN4 Function	Define digital input DIN 4。 Default value 0010, Indicates the definition of the positive limit function
D3.05	2010.07	16	DIN5 Function	Define digital input DIN5。 Default value 0020, Indicates the definition of the negative limit function
	2010.1B	32	Positive limit position	Actual position when the digital input signal triggers the positive limit
	2010.1C	32	Negative limit position	Actual position when the digital input signal triggers the negative limit
	2010.19	8	Limit function define	The function of defining whether to alarm after the limit signal occurs 0: If the limit signal appears after homing, it will alarm 1: it will not alarm when the limit signal appears after homing
	607D.01	32	Positive setting of soft limit	Soft limit positive polarity data setting

	607D.02	32	Soft limit negative setting	Soft limit negative data setting, the negative data must be less than the positive data, otherwise the soft limit will not work
	6085.00	32	Quick stop deceleration	Stop deceleration after the limit signal takes effect

(1) Digital input limit digital

By installing the sensor in the machine and connecting the external sensor signal to the digital input signal port of the drive, when the sensor level changes, the positive and negative limit signals take effect, and the motor stops. For safety reasons, the positive/negative limit signals are normally closed. When the valid input is 1 (the valid input is green), the limit function is invalid. When the valid input is 0 (the valid input is gray), it means that the limit is activated and the corresponding movement direction is prohibited.

(2) Soft limit position

To prevent overtravel by setting the position of the software limit, it should be noted that the position of the software limit only takes effect after homing. When the actual position reaches the set software limit position, the motor stops.

6.8.2 Motor brake control

In order to ensure that the motor will not rotate under the influence of gravity or other external forces after the power is turned off, the load equipment needs to use a brake motor. Please refer 3.4.4 Brake connection for motor brake wiring, The default brake control port is OUT2. If you want to control the motor brake through other ports, you need to define the corresponding digital output signal function as motor brake.

Table 6-22 Brake control related objects

Panel address	Internal address	Bit	Name	Description
D4.21	6410.17	8	Motor accessories	Whether the motor has a brake accessory 0: Motor without brake 1: The motor has a holding brake, and the drive needs to wait for a period of time (holding brake delay) to fully open/close the holding brake
	6410.11	16	Brake duty cycle	The duty cycle of the brake signal
	6410.12	16	Brake delay	The delay time of the brake signal, the default value is 150ms
	605A.00	16	Quick stop mode	0: Uncontrolled stop 1: Curve stop 2: Quick stop deceleration stop 5: The curve stops, and finally stops in the rapid stop state 6: Rapid deceleration stop, and finally stop in rapid stop state 18: Use the motor's own resistance to brake, even if there is a problem with the encoder Factory default is uncontrolled stop mode
	6085.00	32	Quick stop deceleration	Deceleration when quick stop mode is 2

After the control word is written into the enable command, the servo motor is energized to lock the shaft, and the driver outputs 24V DC to the brake after the relay pull-in delay for a certain period of time (brake delay) to make the brake open as soon as possible. After the delay, the speed command takes effect and the motor starts to run.

When the stop enable command is written in the control word, the control of the holding brake is related to the set quick stop mode.

When the quick stop mode is 0 (uncontrolled stop), the drive will automatically switch to the immediate speed mode (-3) and set the target speed to 0 internally to make the motor stop as soon as possible, in the uncontrolled stop mode After the drive changes the target speed, it will immediately cut off the 24V power supply to the brake. After the brake power is cut off and lasts for a certain period of time (the brake delay), the drive actually enters the disabled state, and the motor is powered off and the shaft is released.



Figure 6-11 Motor holding brake sequence when quick stop mode is 0

When the quick stop mode is 2 (quick stop deceleration stop), the drive automatically switches to speed mode (3) and decelerates to stop at quick stop deceleration (60850020) when it is disabled. Only after the drive judges that the effective target speed is zero speed , the drive will cut off the 24V brake power supply. After the brake power supply has been cut off for a certain period of time (the brake delay time), the drive will enter the disabled state, and the motor will be disconnected from the power supply.

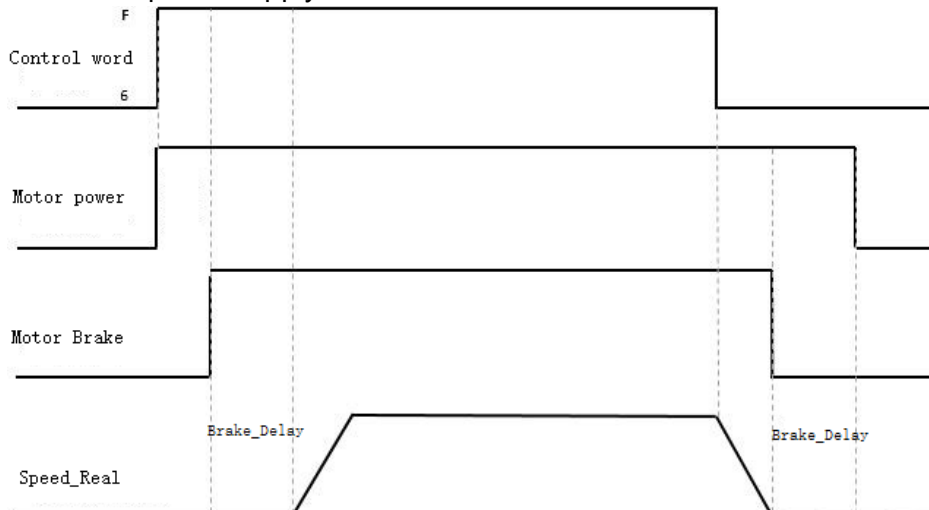


Figure 6-12 Motor brake sequence when quick stop mode is 2

**Attention**

After the motor accessory is set to 1, the load drop will be disabled, and the brake delay can be appropriately increased. If adjusting the brake delay cannot improve the problem, check whether the brake torque meets the load demand.

6.8.2 Stop Mode Control

The motor can be stopped in the following ways:

0, uncontrolled stop; the motor will directly cut off the power to loosen the shaft without any control, and stop naturally by friction. After the stop is completed, the motor loosens the shaft. The uncontrolled stop mode has a longer deceleration time, but less mechanical impact.

1. The curve stops; it stops according to the trapezoidal deceleration (60840020) curve, and the motor loosens the shaft after the stop is completed.

2. Quick stop deceleration stop; stop according to the quick stop deceleration (60850020), and the motor loosens the shaft after the stop is completed.

18, Short-circuit braking stop mode, use the motor's own resistance to stop. After the stop is completed, the motor keeps the shaft locked and stops in the fast stop state. It can be enabled after the control word sends 0x06 to exit the fast stop state. A stop mode that can quickly complete a stop even in the event of an encoder failure.

5, Stop according to the trapezoidal deceleration (60840020). After the stop is completed, the motor keeps the axis locked and stops in the fast stop state. It can be enabled after the control word 0x06 is issued to exit the fast stop state.

6, Stop according to the quick stop deceleration (60850020). After the stop is completed, the motor keeps the axis locked and stops in the quick stop state. It can be enabled only after the control word sends 0x06 to exit the quick stop state.

Table 6-22 Stop control objects

Panel address	Internal address	Bit	Name	Description
	605A.00	16	Quick stop mode	Quick stop mode Stop mode when bit2 in the control word is set to 0. For example: the control word is switched from 0x0F to 0x0B 0: Uncontrolled stop 1: Curve stop 2: Quick stop deceleration stop 5: The curve stops, and finally stops in the fast stop state 6: Rapid deceleration stop, and finally stop in rapid stop state 18: Use the motor's own resistance to brake, even if there is a problem with the encoder
				Shutdown mode When the control word is switched to 0x06, the stop mode when the motor switches from the

	605D.00	16	Pause mode	<p>Pause mode</p> <p>Pause mode when bit8 in the control word is set to 1. For example: the control word is switched from 0x0F to 0x10F</p> <p>1: Decelerate and stop at the current deceleration</p> <p>2: Decelerate to stop at emergency stop deceleration</p>
	605E.00	16	Error stop mode	<p>Error emergency stop mode</p> <p>Error stop mode will be activated after an alarm in the motor shaft lock state.</p> <p>0: stop immediately</p> <p>1: Decelerate to stop</p> <p>2: Use emergency stop deceleration to stop</p> <p>18: Use the motor's own resistance to brake, even if there is a problem with the encoder</p>
	6084.00	32	Trapezoidal deceleration	Curve stop deceleration
	6085.00	32	Quick stop deceleration	Emergency stop deceleration
	2340.01	08	Step stop mode	<p>Step Mode Stop Enable</p> <p>It only takes effect under position control. When the position reaches the signal output, the motor uses the stepping method to lock the shaft (that is, the driver applies DC power to the motor to keep the motor in the locked shaft state), and the shaft locking current is set by the step stop current (2340.02). .</p> <p>0: Do not use step mode stop enable</p> <p>1: Use step mode to stop enable</p>
	2340.02	16	Step stop current	Stop current after step stop mode is turned on

6.8.3 Multi-tune encoder Setting

Table 6-23 multi-turn encoder parameters

Panel address	Internal address	Bit	Name	Description	Default
D0.07	2690.00	8	Communication encoder data reset	<p>Communication encoder command</p> <p>Write:</p> <p>1: clear encoder status</p> <p>2: Read the fault word, the fault status can be viewed at 0x30510110</p> <p>3: Clear encoder status and multi-turn data</p> <p>8 Reset the status flag of the encoder</p> <p>9 Clear multi-lap data</p> <p>10 Reset encoder status flag and clear multi-turn data operation</p> <p>12 Clear the single-turn data (requires the manufacturer's password)</p> <p>Read:</p> <p>bit 0: 1 = Command can be entered</p> <p>bit 1: 1 = Last command execution completed</p> <p>Note: Clearing the single-turn data will cause the motor phase error. It is forbidden to clear the single-turn data when the motor can run normally!</p>	1

	2680.00	10	Warning status word	Encoder alarm status word bit 0: battery alarm bit 1: Hybrid alarm (overspeed, overtemperature) bit 2: Encoder busy (motor speed too high at power-on) Note: When the drive has warning data, the panel will flash the warning status, and the warning status will not stop the operation of the drive.	0
	2340.0E	8	Encoder multi-turn prohibited	0: default 1: Use the multi-turn encoder as a single-turn encoder	0
	3051.01	10	Encoder warning message	help:encoder warning messages Nikon internal error of encoder .Bit0: BATT Bit1: MTERR Bit2: 0 Bit3: OVSPD Bit4: MEMERR Bit5: STERR Bit6: PSERR Bit7: BUSY Bit8: MEMBUSY Bit9: OVTEMP	0

6.8.3.1 Multi-turn motor power-on configuration

YAK/YBK When the absolute encoder motor is connected to the drive for the first time, the drive will generate the 000.4 encoder UVW fault or communication fault alarm. The encoder alarm can be cleared by resetting the encoder status mark. The operation steps are as follows:

- Using Kinco servo+ debugging software, write 10 through the communication encoder data reset (0x269000) of the basic operation interface to clear the multi-turn data and reset the encoder status flag.
- Enter the F000 group d0.07 through the drive panel operation to set the communication encoder data reset.



Attention

- After the communication encoder data is reset, the drive alarm will not be cleared directly. It is necessary to clear the drive alarm through the control word or restart the drive.
- After clearing the multi-turn fault, if the connection between the encoder wire and the motor end is disconnected, the drive will have fault 000.4 again, and the encoder state needs to be reset.
- After clearing the multi-turn data through the communication encoder data reset, the actual position single-turn data will not be cleared at this time. To reset the actual position, you need to use the 35 homing mode to return to the origin.

6.8.3.2 多Multi-turn data range

YAK/YBK absolute encoder motor single-turn resolution 8388608 (23bit), multi-turn number 65536, the actual position value after the positive multi-turn data overflow changes from 2147418112 to -2147418112, the negative multi-turn data overflow after the actual position value Changed from -2147483648 to 2147483648, the motor rotation direction remains unchanged after overflow.

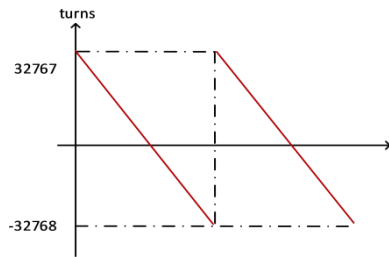


Figure 6-12 Multi-turn data range

6.8.3.3 Multi-turn prohibition

Set encoder multi-turn disable (0x23400E) to 1, absolute encoder can be used as incremental encoder without connecting battery. However, it should be noted that when the multi-turn prohibition is turned on, the position of the encoder cannot be saved after the power is turned off.

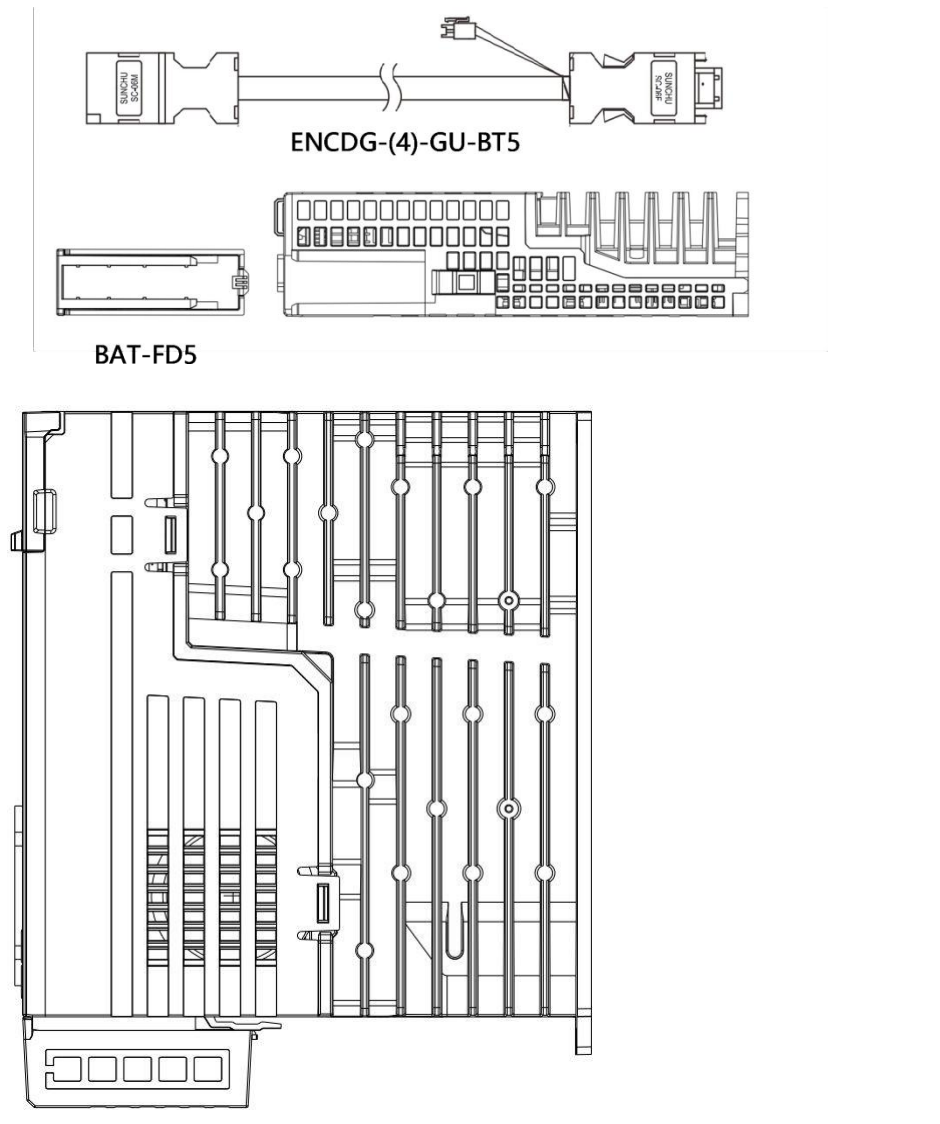
6.8.3.4 How to use the battery

To install the battery box to the bottom of the drive, optional cables ENCDG-(4)-GU-BT5 and battery box BAT-FD5 are required. You can also choose to purchase the integrated battery cable ENCDG-(4)-GU-BT, and you can choose one of the two battery options.

Table 6-24 Selection and installation of battery box

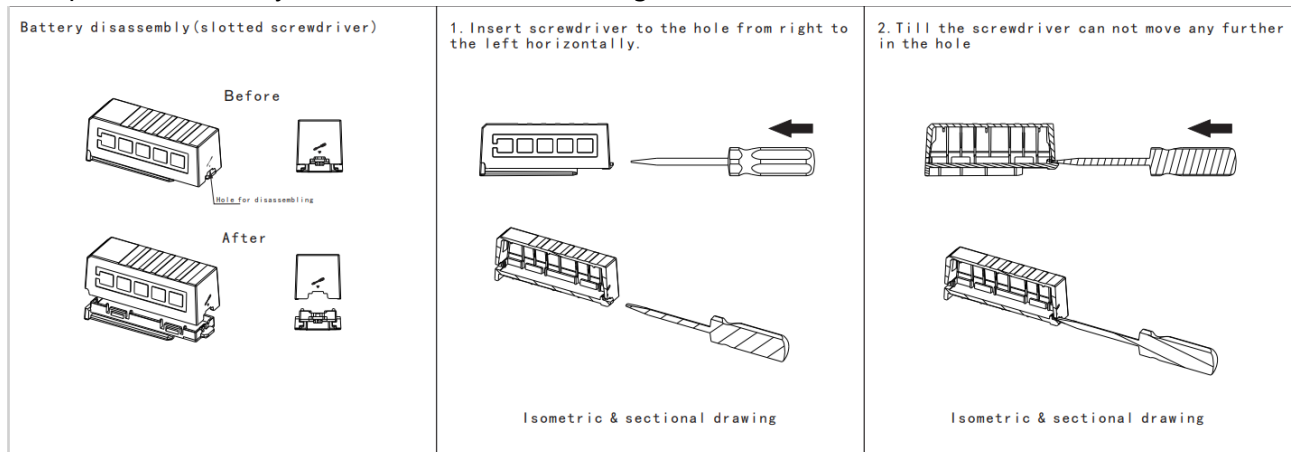
Installation Notes	Figure
<p>Option one: Integrated battery cable ENCDG-(4)-GU-BT. When using the integrated battery cable, you need to pay attention to fixing the cable so as not to cause an alarm due to the loose connector connector.</p>	<p style="text-align: center;">ENCDG-(4)-GU-BT</p>

Option 2: Purchase ENCDG-(4)- GU-BT5 cable plus BAT-FD5 battery box accessory, the battery box can be installed and fixed on the bottom of the drive.



When the battery voltage is lower than 3.1V, the drive will display the warning status word 0001, and the panel will flash 000.1, but the drive will not alarm and stop at this time. Under the condition that the drive remains powered on normally and the encoder cable is well connected, replacing the battery will not cause loss of multi-turn data.

When the battery voltage is lower than 2.5V, the drive has an encoder UVW fault or an internal fault (fault code 000.4), the motor stops running, and the multi-turn data is lost. It is necessary to replace the battery and re-initialize and configure the absolute encoder.



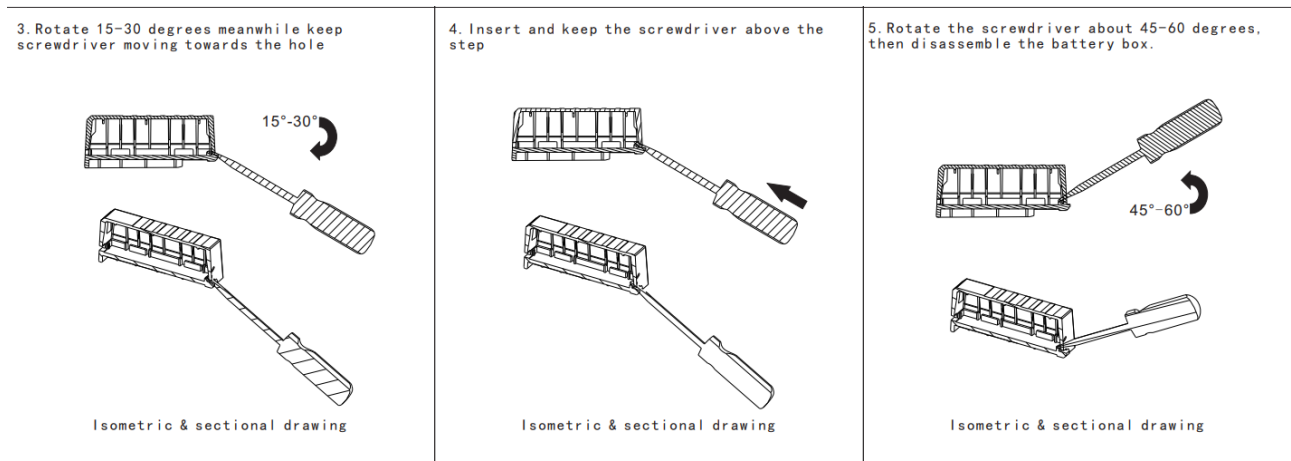


Figure 6-13 How to remove the battery box



Attention

- The battery must be used within a limited temperature range, away from high temperature and high humidity environments, and without dust or inflammable and explosive substances.
- During transportation and assembly, be careful not to impact and squeeze the battery, so as not to damage the battery.
- Before using a battery that has been placed for a long time, check whether the battery is swollen or not.
- Do not short-circuit the positive and negative poles of the battery, otherwise the battery may burst.
- The battery is a one-time item, do not charge the battery..
- Please dispose of batteries according to local regulations.

Table 6-13 Battery Specifications

battery name	datasheet
Kinco Specifications	Maxell ER6C WK P
Standard Voltage	3.6V
Standard capacity	1800mH
Maximum output current	100uA
weight	14.5g
ambient temperature	-20°C~85°C

Chapter7:Tuning of the servo system control

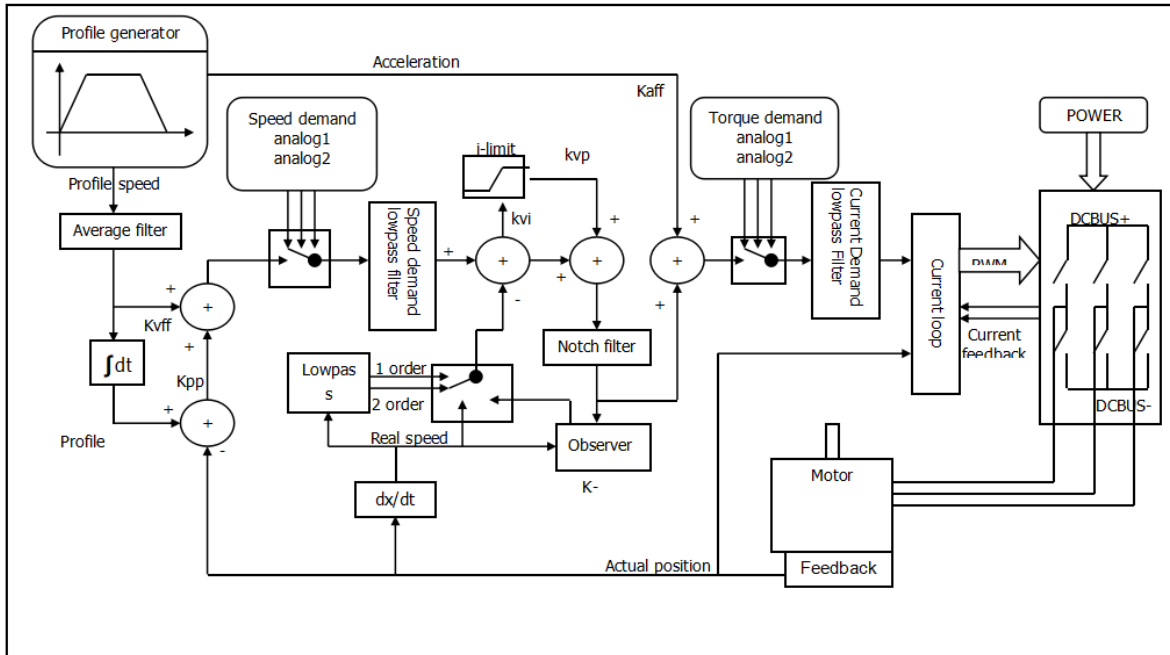


Figure 7-1 Servo system control block diagram

Figure 7.1 shows the servo system control block diagram. It can be seen from the figure that the servo system generally includes three control loops: current loop, velocity loop and position loop. The adjustment process of a servo system is used to set loop gain and filters to match the mechanical characteristics, and finally to prevent the entire system from oscillating, to permit it to follow commands quickly and to eliminate abnormal noise..



- kaff: Position loop acceleration feedforward
- kvff: Position loop speed feedforward
- kvp: Velocity loop proportional gain
- kvi: Velocity loop integral gain
- kpp: Position loop proportional gain

7.1 Auto-tuning

The auto-tuning function will try to stimulate the motor and load system by some motions and get the inertia of the load. If auto-tuning is successful, stiffness will be auto-set according to the inertia ratio.

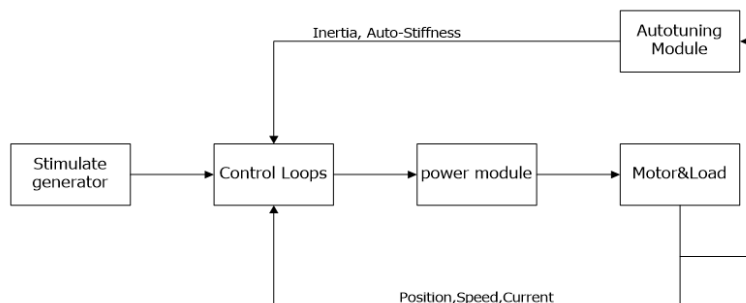


Figure 7-2 Auto-tuning

7.2 Auto-tuning test operation method

When inertia auto-tuning is opened, motor shaft will reciprocate in a very short distance. So please keep some mechanical space before using.

7.2.1 Parameters for auto-tuning

Table 7-1 Auto-tuning function parameters

Panel address	Object index	Name	Description	Default	Range	R: read W: write S: save
tn01	0x304008	Stiffness	Stiffness of the load	12	0-31	RWS
tn02	0x30400B	Inertia_Ratio	$Inertia_Ratio = (J_Load + J_Motor) * 10 / J_Motor$	30	10-500	RWS
tn03	0x304001	Tuning-method	Start auto-tuning after write 1 in.			RW
tn04	0x304006	Safe_Dist	Unit:0.01 Set the possible motion range during inertia measurement	22	0-40	RWS

7.2.2 Start of auto-tuning

1. Via the LED panel

Open the tunE menu in the LED panel and go to tn03.

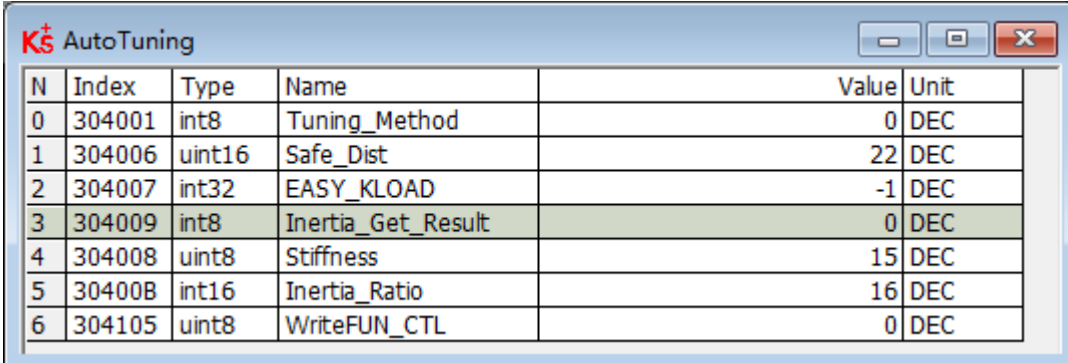
Write 1 to tn03. The motor oscillates with a small amplitude, the oscillation lasts less than 1s.

If tn03 remains at 1 after auto-tuning is done, auto-tuning has been successful.

Otherwise it has failed.

2. Via PC software

Click upper computer menu item Controller->Operation Modes->Auto-tuning.



N	Index	Type	Name	Value	Unit
0	304001	int8	Tuning_Method	0	DEC
1	304006	uint16	Safe_Dist	22	DEC
2	304007	int32	EASY_KLOAD	-1	DEC
3	304009	int8	Inertia_Get_Result	0	DEC
4	304008	uint8	Stiffness	15	DEC
5	30400B	int16	Inertia_Ratio	16	DEC
6	304105	uint8	WriteFUN_CTL	0	DEC

Figure 7-3 auto-tuning window

Write 1 to TUN CTL (3041.05), and then write 1 to Tuning Method (3040.01). The motor oscillates for less than 1s and the results appear. If Inertia_Get_Result(3040.09) = 1 the tuning process was able to obtain a valid Inertia_Ratio(3040.0B). Otherwise the tuning process has failed, see 7.1.3 for hints. Write 1 to the Tuning_Method(3041.01) again to check that the Inertia_Ratio result is reproducible. If not, carefully increase Safe_Dist(3040.06) to get more precise results. If the machine shakes too much, reduce Safe_Dist to reduce oscillation.

7.2.3 Problems and adjustments with auto-tuning

If the tuning process has failed, the error result of tn03 tells the fail-reason:

- 0: The controller could not be enabled by any reason.
- 1: Inertia cannot be measured due to too little motion or too little current.
- 2: The measured inertia result is outside the valid range.
- 3: The resulting Inertia_Ratio value is greater than 250 (inertia ratio > 250). This is a possible result, but the control loop will not be tuned.
- 4: The resulting Inertia_Ratio value is larger than 500 (inertia ratio > 500). This is an uncertain result.

In the cases 0, -1, -2, -4 Inertia_Ratio is set to 30, in the case -3 Inertia_Ratio is set as measured, Stiffness is set to 7-10.

In any fail case the control loop parameters are set to Inertia_Ratio of 30 and the set Stiffness values. To make the measured Inertia_Ratio of case -3 become effective, the value of tn02 must be confirmed by SET.

Reasons for the failure of auto-tuning:

1. Incorrect wiring of the servo system;
2. DIN function Pre_Enable is configured but not active;
3. Too much friction or external force is applied to the axis to be tuned;
4. Too big backlash in the mechanical path between the motor and the load;
5. The mechanical path contains too soft components (soft belts or couplings);
6. Inertia ratio is too large

Adjustment:

1. Try to increase the value of the "Safe_dist" parameter to perform auto-tuning again;
2. If it still fails, manually adjust the performance.

7.2.4 Adjustment after auto-tuning

After auto-tuning the stiffness is set to a certain value. The greater the inertia ratio, the smaller the stiffness value will be. The range of parameter after auto-tuning is shown below.

Stiffness	Kpp/[0.01HZ]	Kvp/[0.1Hz]	Output filter[Hz]	Stiffness	Kpp/[0.01HZ]	Kvp/[0.1Hz]	Output filter[Hz]
0	70	25	18	16	1945	700	464
1	98	35	24	17	2223	800	568
2	139	50	35	18	2500	900	568
3	195	70	49	19	2778	1000	733
4	264	95	66	20	3334	1200	733
5	334	120	83	21	3889	1400	1032
6	389	140	100	22	4723	1700	1032
7	473	170	118	23	5556	2000	1765
8	556	200	146	24	6389	2300	1765
9	639	230	164	25	7500	2700	1765
10	750	270	189	26	8612	3100	1765
11	889	320	222	27	9445	3400	∞
12	1056	380	268	28	10278	3700	∞
13	1250	450	340	29	11112	4000	∞
14	1500	540	360	30	12500	4500	∞
15	1667	600	392	31	13889	5000	∞

Table 7-2 Stiffn

**Attention**

When the stiffness setting or the inertia ratio increases Kvp to a value of greater than 4000, it's not useful to increase stiffness any more, and bandwidth will be decreased if the inertia ratio is further increased. If changing stiffness via communication, WriteFUN_CTL(3041.05) must be set to 1 first, and be set back to 0 after stiffness has been changed.

The adjustment of stiffness according to actual needs

If response is too slow → increase stiffness. If oscillation or noise increases → reduce stiffness.

If the command from the controller (e.g. PLC) is unreasonable or inappropriate for the machine, some filters should be modified in order to reduce oscillation (see chapter 7.3 manual tuning)

7.3 Manual tuning

If the auto-tuning function does not support the actual application, or if the application has a gap, inertia changes or a very soft connection, manual tuning is the right choice.

The manual tuning process makes use of test motion. Match the controller to the actual application on the basis of experience with the application and a given scope of data by changing loop gain and filter settings.

Since current loop parameters are calculated internally based on the motor parameters, there is normally no need to set current loop parameters manually.

Manual tuning needs to cooperate with the oscilloscope, please refer Chapter 5.6 for the guide of using oscilloscope.

7.3.1 Tuning of the velocity loop

Table 7-3 Velocity loop parameter

Panel address	Internal address	Name	Description	Default	Range
	60F901	kvp[0]	Setting reaction speed of Velocity loop	/	1-32767
d2.01	2FF00A	Velocity_BW	Changing this parameter changes kvp[0] by the inertia ratio	/	1-700
	60F902	Kvi[0]	Integral velocity loop gain	/	0-1023
d2.02	60F907	Kvi/32	It is 1/32 of Kvi, used for high resolution encoder.	/	0-32767
	2FF019	Kvi_Mix	The value of this parameter is 0x60F902 cross 32 plus 0x60F907. Writing this parameter sets 0x60F902 to 0, and the value is 0x60F907	/	0-16384

d2.05	60F905	Speed_Fb_N	Used to set Velocity feedback filter bandwidth. Filter bandwidth=100+Speed_Fb_N*20	7	0-45
d2.06	60F906	Speed_mode	Used to set the velocity feedback mode 0: 2nd order FB LPF 1: Directly feedback the original velocity 2: Velocity feedback after velocity observer 4: Velocity feedback after 1st order LPF 10: Velocity feedback after 2nd order LPF and the velocity command is filtered by a 1st order LPF. Both filters have the same bandwidth. 11: The velocity command is filtered by a 1st order LPF 12: Velocity feedback after velocity observer, the velocity command is filtered by a 1st order LPF 14: Velocity feedback after 1st order LPF and the velocity command is filtered by a 1st order LPF. Both filters have the same bandwidth Bit7: 1: Use 8K Velocity loop sampling frequency and 2K position loop sampling frequency (for 23-bit encoders) 0: Use 4K Velocity loop sampling frequency and 1K position loop sampling frequency	0	/
	60F915	Output_Filter_N	A 1st order lowpass filter in the forward path of the velocity loop	1	100-1370
	60F908	Kvi_Sum_Limit	Integral output limit of the velocity loop	/	0-2 ¹⁵

Steps required for adjustment of the velocity loop:

Step 1: Adjustment for Kvp

Increasing Kvp can improve the bandwidth of the velocity loop and make the velocity response ability faster. To calculate the Kvp, please refer the following formula.

$$k_{vp} = \frac{1.853358080 \cdot 10^5 \cdot J \pi^2 \cdot Fbw}{I_{Max} \cdot kt \cdot encoder}$$

Kt Motor torque constant, unit N.m/Arms*100

J inertia, unit kg*m²*10⁶B

B Velocity loop bandwidth unit: Hz

I_{max} MAX motor current(6510.03), unit: DEC
Encoder Resolution of the encoder

Because the -3 of Operation_mode has no acceleration and deceleration and does not participating the velocity loop control, the -3 mode and automatic flip mode can be used to run the motor when adjusting the velocity loop parameters. During the reciprocating motion, the responsiveness of the servo can be monitored by collecting the speed step curve

If the Kvp too low, the bandwidth of the velocity loop and the position loop will not match, which will lead to oscillation. If the Kvp is too high, it will cause the speed to overshoot and cause the speed loop to oscillate. In some rigid connection loads (such as ball screw, rack and pinion, etc.) The Kvp should be as high as possible. By comparing the oscillograms under different Kvp, find the optimal curve – the actual speed curve should be tight follows the target command and does not have velocity oscillations.

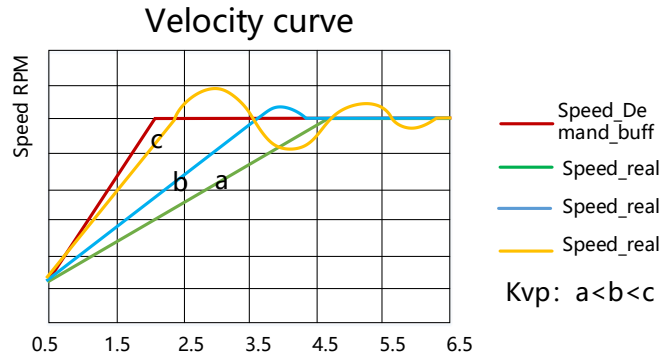


Figure 7-4 Speed step curve after Kvp adjustment



- Speed step curve: Curve that shows rise/fall changes.
- The vibration and noise of the motor can be felt by hand touch and listening

Step 2 : Adjustment for Kvi

Kvi is designed to eliminate static errors. It can strengthen the low frequency gain of the velocity loop, and a large Kvi can reduce the response ability from low-frequency disturbance, thereby improving the anti-disturbance capability in low-frequency.

When Kvi is too small, The integral time will be long. The error adjustment will be slow, and it will take longer time to make the system entering steady state. When the integral gain of the speed loop is too large, the error will appear and in severe cases, the motor may oscillate. Kvi should be adjusted to the servo eliminating the error and enter a stable state efficiently.

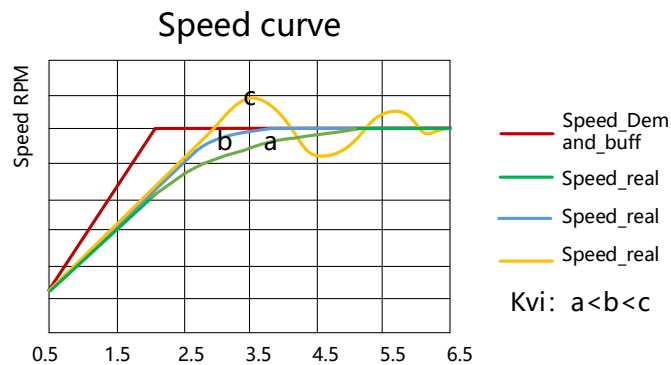


Figure 7-5 Speed step curve after Kvi adjustment

Generally, if the machine has more friction, the kvi should be set larger. If the entire system needs to respond quickly, kvi should be set as small as possible or even 0. If you need to dynamically close kvi during operation, you can use the kvi close in Din function.

- $Kvi32=1/32$ of $Kvi[0]$, In high resolution encoder, directly increasing the data in the $kvi[0]$ will lead to overshoot. At this time, you can reduce the data in $kvi[0]$, and fine-tune it in the $kvi32$
- Generally, the parameters of kpp and kvi are relative. When the kpp data is adjusted to be much larger than the factory value, the kvi should also be appropriately increased on the basis of the factory value.



Step 3: Adjustment of Kvi_Sum_Limit

The Kvi_sum_Limit is the maximum current limit when performing adjustment. Usually the default value can satisfy most applications. However, if the application system has a large resistance or the acceleration is too large, so that the actual current has reached the Kvi_sum_limit current, and at the same time, the actual speed is far less than the target speed. The value of this parameter should be increased. If the output current is prone to saturation, but the saturated output current will cause low frequency oscillations, this parameter should be reduced.

The Kvi_sum_limit should be as small as possible on the basis of satisfying the application. The smaller the Kvi_sum_limit value, the shorter the adjustment time.

Step 4: Adjustment for Speed_fb_N

Feedback filter can reduce noise from the feedback path, eg, encoder resolution noise.

For different applications, the speed feedback filter can be converted to 1st and 2nd order by Speed_Mode

1st order can reduce more noise, but produce less phase shift, allowing the higher Kvi or Kvp. 2nd order filter reduces more noise, but also provide more phase shift, which can limit the Kvi or Kvp.

Usually, if the machine and the load use soft connection, it is recommended to use a 1st order low-pass feedback filter or turn off the feedback filter. If the rigid connection is used or the load is too heavy, the 2nd order low-pass feedback filter could be used. Factory default is a 2nd order low-pass feedback filter, which is suitable for most applications

If the motor noise is too loud when adjusting the Kvi or Kvp, you can appropriately reduce the speed feedback filter parameter(60F9.05). However, the velocity loop feedback filter bandwidth F must be greater than 2 times of the velocity loop bandwidth. Otherwise, oscillation may result. Speed feedback filter bandwidth F = speed feedback filter*20+100 [HZ]

Step 5: Adjustment of output filter

The output filter is a first order low pass torque filter. It can reduce the high-frequency torque order output by the speed control loop, so as to achieve the purpose of suppressing the resonance of the entire system.

When the output filter is set to 2546Hz (1DEC), it means to close the output filter control. When the system has resonance, the user can try to adjust the DEC value of the output filter setting from small to large to reduce noise.

The filter bandwidth can be calculated by the following formula:

$$B_Output_Filter = \frac{1}{2} \times \frac{\ln\left(1 - \frac{1}{Output_Filter_N}\right)}{62.5\pi}$$

Output_Filter_N Output filter setting(60F9.15), Unit Hz

B_Output_Filter Filter bandwidth



- The larger the DEC value set by the output filter, the stronger the filtering effect.。
- Output filter settings [Hz]=2546/[DEC]
Output filter settings [DEC]=2546/[Hz]

Step 6: Notch Filter Adjustment

A notch filter can suppress the resonance frequency by reducing the gain near the mechanical resonance.

If the resonant frequency is unknown, it can be obtained by flowing method:

Adjust the load so that the system runs in the resonance region, monitor the actual current at resonance on the oscilloscope, and then adjust the notch filter to observe whether the resonance disappears. When the current data at resonance is collected on the software oscilloscope, the period value of adjacent harmonics can be measured by the cursor to calculate the resonance frequency. After collecting multiple sets of harmonic cycles to calculate the average value of the cycles, the resonant frequency can be calculated using the average value of the cycles.

Table 7-4 Notch filter parameter

d2.03	60F903	Notch filter	Used to set the frequency of the internal notch filter to eliminate the mechanical resonance that occurs when the motor drives the machine	550	0-90
	250B01	Notch filter 1			

	250B02	Notch filter 2			
	250B03	Notch filter 3			
d2.04	60F904	Notch filter control	<p>Notch filter control of Speed loop Bit0~1: The BCD code composed of two bits determines the filter to be turned on.</p> <p>Bit4: 1 :Indicates FFT analysis using actual current, 0 :Indicates that the target current is used for analysis</p> <p>Bit5: 1: Indicates use actual speed for FFT analysis, 0: Indicates do not use actual speed for FFT analysis</p> <p>Bit.7: 1 Indicates that the FFT function is turned on, it will automatically become 0 after the analysis is completed, and it can only be turned on in the enabled state.</p>	0	0-255

(1) Single-point notch filter

When the notch filter control (60F9.04) is set to 0, it indicates to close the notch filter control; when set to 1, it indicates to open a single notch filter, and the frequency of the filter is set by the notch filter (60F9.03)

(2) FFT Multi-point Notch Filter

Adopt high-order multi-point notch filter technology, automatically measure the mechanical resonance frequency of the load, and write the tuning result into the filter 0 and filter 1. The FD5 drive can be set with 4 notch filters, and the FFT will be adjusted according to the setting value of the notch filter control. Filter 2 and Filter 3 are manually adjusted notch filters, and the corresponding filters can be turned on/off through the notch filter control.

When the notch filter control (60F9.04) is set to 144DEC, it indicates that the actual current is used for FFT analysis.

When the notch filter control (60F9.04) is set to 160DEC, it indicates that the actual speed is used for FFT analysis.

When the FFT is successfully tuned, the notch filter control bit7 to reset, and the BCD code combined with bit0 and bit1 determines the filter to be turned on.

7.3.2 Tuning of the position loop

Table 7-4 Position loop parameters

Panel address	Internal address	Name	Description	Defaults	Range
d2.07	60FB01	Kpp[0]	Proportional position loop gain. Used to set the position loop response, unit: 0.01Hz	10	0 ~ 327
d2.08	2FF01A	K_Velocity_FF%	0 means no feedforward, 1000 means 100% feed forward	1000	0 ~ 4000
d2.09	2FF01B	K_Acc_FF%	The unit only is right if the inertia ratio is correctly set. If the inertia ratio is unknown, set K_Acc_FF(60FB.03)instead	/	0-4000
d2.26	60FB05	Pos_Filter_N	The time constant of the position demand LPF. Unit:ms	1	1~255
d2.25	2FF00E	Max_Followin_error_16	Maximum allowable error(6065.00)=100* Max_Following_error_16.	10000	/
	60FB04	Position loop filter order	Setting value: 1: Use trapezoidal curve mode 3: Use S-shape mode	1	1 or 3

Position loop tuning steps:

Step 1: Kpp adjustment

Increasing the Kpp can increase the position loop bandwidth to reduce the positioning time and the following error, but if the setting is too large, it will cause noise or even oscillation, and it must be set according to the load conditions. $K_{pp} = 103 * \text{position loop bandwidth}$. The bandwidth of the position loop cannot exceed the bandwidth of velocity loop. It is recommended that the setting value of the position loop bandwidth be less than one quarter of the bandwidth of the velocity loop.

Step 2: Kvff adjustment

Increasing the Kvff can reduce the position following error and improve the dynamic response characteristics of the entire system, but it may lead greater overshoot during acceleration and deceleration. When the position command signal is not smooth, reducing the Kvff can reduce the motor oscillation. When the feedforward is set to 0, if only the Kvp is used to position the servo, the in-position time will be longer.

Kvff function can be regarded as the upper controller, such as PLC, has the opportunity to directly control the velocity in position operating mode. In fact, the function will consume part of the speed loop responsiveness, so the setting value needs to match the position loop and velocity loop bandwidth.

The elastic factor of the flexible load, such as pulley, will cause the speed feedforward command loaded to the speed loop to be unsmooth and cause the load to oscillate. In this type of load, the position loop speed feedforward can be appropriately reduced. In a rigid load, if adjusting the Kpp cannot eliminate the vibration generated by the motor during acceleration and deceleration, you can also try to gradually decrease the default 100% feedforward.

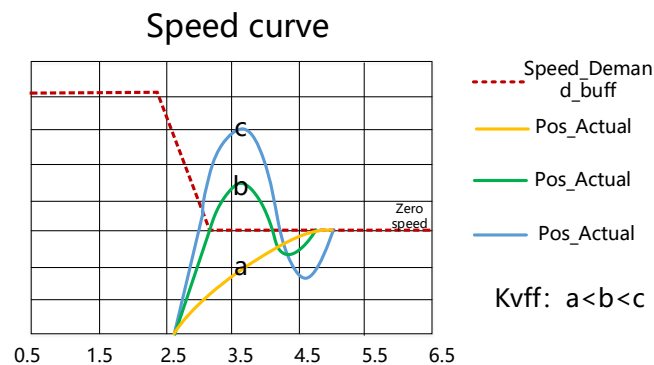


Figure 7-6 Speed step curve after Kvff adjustment

Step 3: Kaff adjustment

Users are not advised to adjust this parameter. When the practical application requires very high position loop response, the acceleration feedforward can be adjusted to improve the response performance.

The acceleration feedforward function can be seen as the upper controller has the opportunity to directly control the torque in the position operating mode. This function actually consumes some of the current loop responsiveness, so if the settings do not match the Kvp and velocity loop bandwidth,

overshoot and oscillation will occur.

Also, the velocity feed forward to the velocity loop may not be smooth and has some noise signal inside, so a large velocity feed forward value will also amplify the noise.

K_{ff} can be calculated by following function:

$$\text{ACC}_{\%} = 6746518 / K_{\text{Acc_FF}} / \text{Easy_Kload} * 100$$

ACC_% This means what percentage will be used for acceleration feedforward.

K_{Acc_FF} K_{ff}(60FB.03), calculates the final internal factor of the feedforward.

Easy_Kload Inertia Coefficient in Easy Mode (3040.07) Load coefficient calculated from auto-tuning or direct user input inertia ratio.



Attention

The smaller the value of the K_{Acc_FF} parameter, the greater the position loop acceleration feedforward.

Step 4: Smooth filter adjustment

The smoothing filter is a moving average filter. It filters the velocity commands from the velocity generator to make the velocity and position commands smoother. Using this filtering causes velocity and position commands to be delayed in the drive. So for some applications, like CNC, it is better not to use this filter, but to do the smoothing in the CNC.

Smoothing filters reduce machine influence by smoothing commands. Smoothing Filter (60FB.05) defines the time constant of this filter in ms. Under normal circumstances, if the machine system vibrates when starting and stopping, it is recommended to increase the smoothing filter setting.

Step 5: other adjustment

In position mode (operation mode 1), the position loop command filter control(60FB.04) can be set to 3 to enable the S-curve control. This curve has no command delay and is suitable for long-distance positioning control. When the speed step of the trapezoidal speed curve is large, it will cause a certain impact on the mechanical equipment. The S-shaped curve has better flexibility and smooth acceleration and deceleration, which can effectively overcome the mechanical vibration caused by the sudden change of speed.

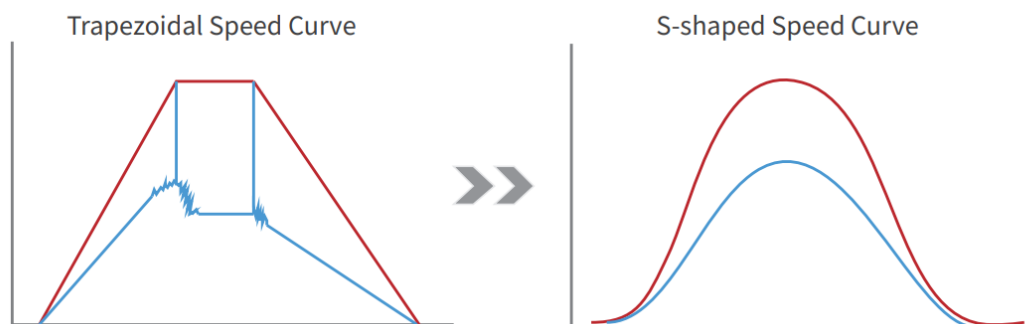


Figure 7-7 S-shaped speed step curve

7.4 Gain switch (Pro mode)

This function is only used for professional !

the drive support 4 sets of PI gain settings. Each set includes Kvp, Kvi, Kpp. The actual PI parameters used are Kvp (x), Kvi (x), and Kpp (x). x=data of PI pointer.

Table 5-5 Gain switching parameters

internal address	Type	Name	Description	unit
64F9.01	Uint16	Kvp[0]	Gain parameter called when PI pointer is 0	Dec, Hz
60F9.02	Uint16	Kvi[0]		Dec
60FB.01	Int16	Kpp[0]		Dec. Hz
2340.04	Uint16	Kvp[1]	Gain parameter called when PI pointer is 1	Dec, Hz
2340.05	Uint16	Kvi[1]		Dec
2340.06	Int16	Kpp[1]		Dec. Hz

2340.07	Uint16	Kvp[2]	Gain parameter called when PI pointer is 2	Dec, Hz
2340.08	Uint16	Kvi[2]		Dec
2340.09	Int16	Kpp[2]		Dec. Hz
2340.0A	Uint16	Kvp[3]	Gain parameter called when PI pointer is 3	Dec, Hz
2340.0B	Uint16	Kvi[3]		Dec
2340.0C	Int16	Kpp[3]		Dec. Hz
60F9.28	Uint8	PI point	Indicates the PI parameter being called	Dec
60F9.09	Uint8	Auto PI switch	When the target position/target speed is reached, that is, when bits.Target_reached=1, select the PI parameter, which is suitable for the occasions where different PI parameters need to be used during the motion process and the static state: 0: PI pointer (60F9.28)=0; 1: PI pointer (60F9.28)=1;	Dec

7.4.1 Gain switching method

The drive provide three method for dynamically selecting PI control parameters.

Method 1: Switch PI by digital input:

Configure the function gain switch 0 or/and gain switch 1 at the digital input port, and the value of the PI pointer is the BCD code composed of the input:

Bit0: Gain switch 0

Bit1: Gain switch 1

Table 7-5 Correspondence between gain switching and PI pointer

Gain switch 0 Effective input level	Gain switch 1 Effective input level	Value of PI pointer
1	0	1
0	1	2
1	1	3

Example:



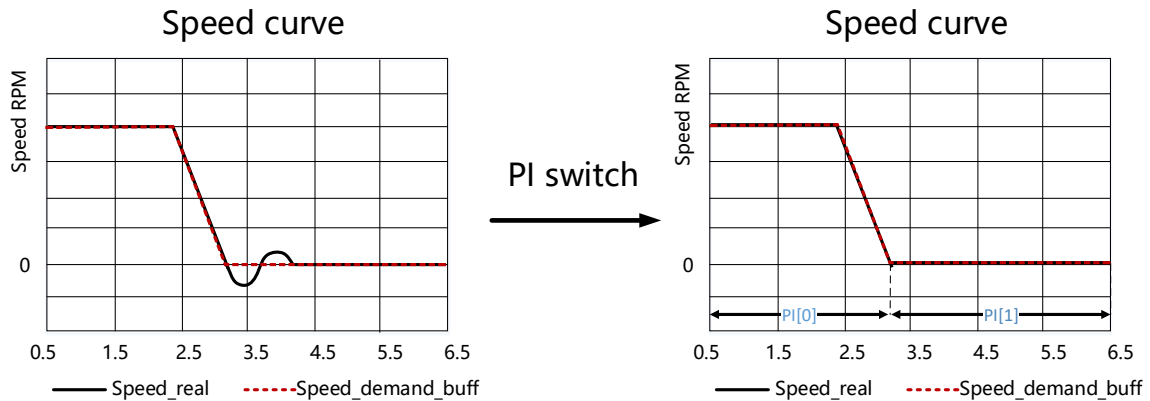
Figure 5-12 Gain switch definition

Gain switch 0 = 1, Gain switch 1 = 0, so PI pointer =1, Valid PI parameter is Kvp[1], Kvi[1], Kpp[1]

Method 2: Drive auto switch PI

Set auto switch PI (6069.09) = 1: When the motor is running, the PI pointer is 0; when the motor is in the position to or the motor zero speed state, the PI pointer is 1.

Some equipment with large inertia may be affected by inertia or elastic force and vibrate when it decelerates to stop. At this time, switching flexible PI parameters helps to achieve efficient shutdown. Automatic PI switching is suitable for applications where different PI parameters are required for these motors in running and stopped states. If the gain switching function is defined on the digital input port, the automatic gain switching will be invalid.



Method 3: Set PI pointer value directly through communication

7.5 Other factors affecting performance

Control commands created by a controller (e.g. PLC).

- Control commands should be as smooth as possible and must be correct and reasonable. For example, the acceleration in the control command cannot exceed the maximum acceleration that can be produced by the motor torque. By collecting the speed and current step waveforms, during the acceleration process, when the current is saturated and clipped, the acceleration and deceleration can be appropriately reduced or the smoothing filter can be increased.
- The control command should obey the bandwidth limit of the control loop.
- Mechanical design

In applications, performance is often limited by the machine. Various factors can affect the final control performance.

Control performance will affect the final performance of the machine such as accuracy, responsiveness and stability.

Chapter 8 Alarm Investigation

Alarm code numbers flash at the panel when the controller generates an alarm.

If you need more detailed information about errors and error history, please connect the controller to the PC via RS232 and refer to chapter 5.7.

Table 8-1: Alarm codes of Error_State1

Alarm	Name	Reason	Troubleshooting
FFF.F	Wrong motor model	The current motor type is different from the motor type which is saved in the controller.	Method 1: Access EA01 via the KEY, and confirm motor type, then access EA00, set 2. Method 2: Access EASY_MT_TYPE (0x304101) via PC software, confirm the value, then save the parameter.
000.1	Extended Error	Errors occur in Error_State2	Press the SET key to enter Error_State2 (d1.16), read the error bit, check the error meaning in table 8-2.
000.2	Encoder not connected	The encoder wiring is incorrect or disconnected.	Use a multimeter to check connection of the encoder signal cable
000.4	Encoder internal	Internal encoder error the encoder is damaged.	1. Access panel address d3.51 Encoder_OP by KEY and set 1. 2. Try to reset the controller error. If error persists, replace the motor.
000.8	Encoder CRC	Encoder CRC error	Make sure the equipment is well grounded
001.0	Controller Temperature	The temperature of controller's power module has reached the alarm value.	Improve the cooling environment of the controller.
002.0	Overvoltage	Supply power voltage exceeds the allowable input voltage range In case of emergency stop, there is no external braking resistor or braking.	Check to see if supply power voltage is unstable and if a suitable braking resistor is disconnected.
004.0	Undervoltage	The power voltage input is lower than the low voltage protection alarm value.	Check to see if supply power voltage is unstable.
008.0	Overcurrent	Instantaneous current exceeds the overcurrent protection value.	Check the motor cable for short circuits. Replace the controller.
010.0	Chop Resistor	The braking resistor is overloaded or its parameters are not set correctly.	Set the resistance and power of the external braking resistor through d5.04 and d5.05.

020.0	Following Error	<p>The actual following error exceeds the setting value of Max_Following_Error.</p> <p>1. Stiffness of control loop is too small. 2.The controller and motor together can't match the requirement of the application.</p> <p>3. Max_Following_Error (d2.25) is too small.</p> <p>4. feedforward settings are not feasible.</p> <p>5. Wrong motor wiring.</p>	Check and solve based on the reasons.
040.0	Low Logic Voltage	Logic power voltage is too low.	Check to see if logic power voltage is unstable.
080.0	Motor or controller llt	The brake is not released when the motorshaft is rotating	Measure the brake terminal voltage is right and the brake is released when the controller

		Machine equipment stuck or excessive friction. Duty cycle of motor overload exceeds the motor rated performance	is enabled. Eliminate the problem of mechanical sticking,add lubricate. Reduce the acceleration or load inertia.
100.0	Over frequency	External input pulse frequency is too high.	Reduce pulse frequency. Increase the value of Frequency_Check(d3.38).
200.0	Motor temperature	The motor temperature exceeds the specifiedvalue.	Reduce ambient temperature of the motor andimprove cooling conditions or reduce acceleration and deceleration or reduce load.
400.0	Encoder information	1. Communication is incorrect when theencoder is initialized. 2. The encoder type is wrong, e.g. anunknown encoder is connected. 3. The data stored in the encoder is wrong. 4. The controller can' t support the currentencoder type.	Check and solve according to the reasons.
800.0	EEPROM data	Data is damaged when the power is turnedon and data is read from the EEPROM.	Data is damaged when data is read from the EEPROM when the power is turned on.

Table 8-2: Alarm codes of Error_State2 (extended)

Alarm	Name	Reason	Trouble shooting
000.1	Current sensor	Current sensor signal offset or ripple too big	Circuit of current sensor is damaged, please contact the supplier.
000.2	Watchdog	Software watchdog exception	Please contact the supplier and try to updatethe firmware.
000.4	Wrong interrupt	Invalid interrupt exception	Please contact the supplier and try to updatethe firmware.
000.8	MCU ID	Wrong MCU type detected	Please contact the supplier.
001.0	Motor configuration	Motor type is not auto-recognized, no motordata in EEPROM / motor never configured	Install a correct motor type to the controllerand reboot.

010.0	External enable	DIN function "pre_enable" is configured, but the input is inactive when the controller is enabled or should become enabled	Solve according to the reason.
020.0	Positive limit	Positive position limit (after homing), position limit only causes error when Limit_Function (2010.19) is set to 0.	Exclude the condition which causes the limit signal
040.0	Negative limit	Negative position limit (after homing), position limit only causes error when Limit_Function (2010.19) is set to 0.	Exclude the condition which causes the limit signal
080.0	SPI internal	Internal firmware error in SPI handling	Please contact the supplier.
200.0	Closed loop direction	Different direction between motor and position encoder	Change the encoder counting direction
800.0	Master counting	Master encoder counting error	Ensure that the ground connection and the encoder shield work well.

Table 8-3 Performance anomalies and solutions

Anomalies	Alarm reason	Solutions
Abnormal noise or vibration occurs when the motor runs without load	<ul style="list-style-type: none"> ◆ Wiring error ◆ Improper handling of control loop parameters ◆ Improper installation of motor oil seal or motor failure 	<ul style="list-style-type: none"> ◆ Use standard power cables, encoder cables and control cables to ensure that the cables are correctly wired and not loose or damaged. ◆ Initialize the control parameters—store the control parameters and restart and try to run ◆ Twist the motor bearing by hand to check whether the motor is abnormal, and try to reinstall the motor oil seal
inaccurate positioning	<ul style="list-style-type: none"> ◆ Improper control loop parameters ◆ The pulse data before the gear is inconsistent with the number of pulses sent by the controller ◆ The electronic gear ratio is set too large ◆ Accumulated error of reciprocating motion ◆ Mechanical system factors 	<ul style="list-style-type: none"> ◆ Adjust the drive control loop parameters according to chapter 7.1 ◆ Use shielded twisted pair cables for pulse lines. When the cables are long, the diameter of the control lines should be appropriately increased. The pulse line should be kept away from the power line as far as possible, and the drive and the motor should be well grounded. ◆ Restore factory gear ratio operation. ◆ Restore the machine to the original under the conditions allowed by the process, and search for the origin before the accumulated error exceeds the allowable. ◆ Check whether the coupling equipment is firmly installed, the pulleys or gears are well engaged, whether the load inertia is too large, try to reduce the load or replace the motor with higher power, etc.

Chapter 9 List of FD5 motor controller parameters

F000 is drives order sets, the parameters could not be saved.

table 9-1 F000 parameters

Panel address	Internal address	Name	Description	Default	Range	RWS
D0.00	60600008	Operation mode	Drives operation mode -4:Pulse mode -3: Immediate speed mode 4:Torque mode 1:position mode 3:speed mode 6:homing mode 7:interpolation mode	-4	/	RW
D0.01	2FF00508	Simple controlword	00.0 : release motor, controlword write 6 00.1 : lock motor, default controlword write 2F, could be selected by 0x20200F. 00.2 001.0: clean error, controlword write 86 Note: To use the simplified control word, the digital input port cannot define the enable and reset fault functions.	0	/	RW
D0.02	2FF00910	Target speed-rpm	3/-3 RPM in speed mode, unit: rpm	0	0~5000	RW
D0.03	60F60810	Target current q	It is used to set the input torque command (current command) when the drive works in 4 mode and d3.30 is set to 0 (no external analog control), the unit is DEC.	0	-2047~2047	RW
D0.04	2FF00A10	Velocity loop bandwidth	Velocity loop bandwidth setting, unit Hz	59	0-600	RW
D0.05	2FF00B10	Position loop bandwidth	Position loop bandwidth setting, unit Hz	9	/	RW
D0.06	2FF00C10	Gain auto-tunning control		0	/	RW

D0.07	26900008	Communication encoder data reset	<p>write:</p> <p>1: clear encoder status</p> <p>2: read fault word</p> <p>3: Clear encoder status and multi-turn data</p> <p>8: Reset status flag</p> <p>9: Clear multi-lap data</p> <p>10: write 8 and 9</p> <p>read:</p> <p>bit 0: 1 = Commands can be entered</p> <p>bit 1: 1 = The last command is executed</p>	0	/	RW
D0.08	2FF02310	Jog speed setting	Speed in jog mode, unit rpm	0	0~5000	RW
D0.09	23400D08	Keba	<p>0:default</p> <p>1:turn on remote node</p> <p>40:Compatible with 2S panel parameter flags</p>	0	0、 1、 40	RW

9.1 F001

This panel menu contains all controller values which can be shown by the LED display when it's in the monitor mode (see 4.2) and no error or warning is shown. On the LED panel, select the panel address of the value to be displayed and press SET. After leaving the menu, the selected value is displayed. To make this selection permanent it must be saved through d2.00 in F002.

Table 9-1-2: Panel F001 setting

Panel address	Internal address	Name	Description	Default	Range	RWS
d1.00	2FF00F20	Soft_Version_LED	Firmware version, display at the LED.	/	/	R
d1.02	2FF01008	Motor_IIt_Rate	Displays the rate of real iit and max iit of the motor.	0	0-100%	R
d1.04	2FF01108	Drive_IIt_Rate	Display the rate of real iit and max iit of the controller.	0	0-100%	R
d1.06	2FF01208	Chop_Power_Rate	Display the rate of real power and rated power of the chopper.	0	0-100%	R
d1.08	60F70B10	Temp_Device	temperature of controller, unit: °C,	/	/	R
d1.09	60F71210	Real_DCBUS	DC bus voltage, unit: V,	/	/	R

d1.11	20100A10	Din_Real	Status of physical input Bit 0: Din 1 Bit 1: Din 2 Bit 2: Din 3 ...	/	/	R
d1.12	20101410	Dout_Real	Bit 0: Dout 1 Bit 1: Dout 2 Bit 2: Dout 3 ...	/	/	R
d1.15	26010010	Error_State	See chapter 5.7, table5-7	0	0-65535	R
d1.16	26020010	Error_State2	See chapter 5.7, table5-8	0	0-65535	R
d1.17	60410010	Status word	Status word of controller	/	/	R
d1.18	60610008	Operation_Mode_Buff	Operation mode in buffer	0	/	R
d1.19	60630020	Pos_Actual	Actual position of motor	0	-2^{31} - $2^{31}-1$	R
d1.20	60FB0820	Pos_Error	Following error of position	0	-2^{31} - $2^{31}-1$	R
d1.21	25080420	Gear_Master	Input pulse amount before electronic gear	0	-2^{31} - $2^{31}-1$	R
d1.22	25080520	Gear_Slave	Execute pulse amount after electronic gear	0	-2^{31} - $2^{31}-1$	R
d1.25	2FF01410	Real_Speed_RPM	Real speed, unit: rpm	0	0-5000	R
d1.26	60F91910	Real_Speed_RPM2	Real speed, unit: 0.01rpm	0	-10-10	R
d1.28	60F60C10	CMD_q_Buff	q current command buffer	0	-2048-2047	R
d1.29	2FF01800	I_q_Arms	Real current in q axis, unit 0.1Arms	0	/	R
d1.48	26800010	Warning_Word	warning status word of the encoder: Bit 0: Battery Warning Bit 1: Mixed Warning Bit 2: Encoder Busy	0	0-7	R
d1.49	30440008	Cur_IndexofTable	Range: 0-31, current index in the position table	0	0-31	R

9.2 F002

This panel menu contains parameters for the control loop settings.
Controller->Panel Menu->Control Loop Setting(F002)

Table 9-2: Panel F002

Panel address	Internal address	Name	Description	Default	Range	RWS
d2.00	2FF00108	Store_Data	Save or init parameters 1: save control parameters 10: init control parameters	0	0-255	RW
d2.01	2FF00A10	Velocity_BW	Bandwidth of the velocity loop, unit: Hz.	/	1-700	RWS
d2.02	2FF01910	Kvi_Mix	Integral gain of the velocity loop, as a combination of 32*Kvi(60F9.02) + Kvi/32(60F9.07). When written, it sets Kvi(60F9.02)=0 and the value goes to Kvi/32(60F9.07).	/	0- 65535	RWS
d2.03	60F90308	Notch_N	Notch filter frequency BW=Notch_N*10+100[Hz]	45	0-127	RWS
d2.04	60F90408	Notch_On	Notch filter enable	0	0-1	RWS
d2.05	60F90508	Speed_Fb_N	Bandwidth of velocity feedback filter BW=Speed_Fb_N*20+100[Hz]	25	0-45	RWS
d2.06	60F90608	Speed_Mode	Default: 0, means using 2 nd order low pass filter 0: 2 nd order FB LPF 1: No FB LPF 2: Observer FB 4: 1st order FB LPF 10: 2nd LPF+SPD_CMD FT 11: SPD_CMD FT 12: SPD_CMD FT+Observer 14: 1st LPF+Observer	1	0-255	RWS
d2.07	60FB0110	Kpp	Kp of position loop.unit:0.01Hz	1000	0-32767	RWS
d2.08	2FF01A10	K_Velocity_FF%	Feedforward of position loop, unit: 0.1%	0	0-1500	RWS
d2.09	2FF01B10	K_Acc_FF%	Acceleration forward of position loop, unit: 0.1%	0	0-1500	RWS
D2.10	2FF00610	Simplified acceleration	Trapezoidal acceleration. Unit rps/s	100	/	RWS
D2.11	2FF00710	Simplified deceleration	Trapezoidal deceleration. Unit rps/s	100	/	RWS
d2.12	60F60110	Kcp	Kp of current loop	/	1-32767	RWS
d2.13	60F60210	Kci	Ki of current loop	/	0-1000	RWS

d2.14	2FF01C10	CMD_q_Max_Arms	Maximum current command in q axis unit: 0.1Arms	/	0-32767	RWS
d2.15	60F60310	Speed_Limit_Factor	A factor for limiting max velocity in the torque mode	10	0-1000	RWS
d2.16	607E0008	Invert_Dir	Invert motion 0: CCW is positive direction 1: CW is positive direction	0	0 - 1	RWS
d2.24	60800010	Max_Speed_RPM	Motor's max speed unit: rpm	5000	0 - 15000	RWS
d2.25	2FF00E10	Max_Following_Error_16	Max_Following_Error= 100*Max_Following_Error_16	5242	1 - 32767	RWS
d2.26	60FB0510	Pos_Filter_N	Average filter parameter	1	1 - 255	RWS
d2.27	20101810	Zero_Speed_Window	Dout function Zero_Speed is active eif the actual speed is equal or less than this value unit: inc/ms	0	0 - 65535	RWS

9.3 F003

This panel menu contains parameter for the configuration of analog and digital I/O functions.

Controller->Panel Menu->F003 DI/DO & Operation Mode Setting(F003)

Table 9-3: Panel F003 parameters

Panel address	Internal address	Name	Description	Default	Range	RWS
d3.00	2FF00108	Store_Data	Save or init parameters 1: save control parameters10: init control parameters	0	0-255	RW
d3.01	20100310	Din1_Function	See chapter 6.1, table 6-1	0x0001	0-65535	RWS
d3.02	20100410	Din2_Function	See chapter 6.1, table 6-1	0x0002	0-65535	RWS
d3.03	20100510	Din3_Function	See chapter 6.1, table 6-1	0x2000	0-65535	RWS
d3.04	20100610	Din4_Function	See chapter 6.1, table 6-1	0x0010	0-65535	RWS
d3.05	20100710	Din5_Function	See chapter 6.1, table 6-1	0x0020	0-65535	RWS
d3.06	20100810	Din6_Function	See chapter 6.1, table 6-1	0	0-65535	RWS
d3.07	20100910	Din7_Function	See chapter 6.1, table 6-1	0x0040	0-65535	RWS
d3.08	2FF00D10	Dio_Polarity	Sets IO polarity	65536	0-65535	RWS
d3.09	2FF00810	Dio_Simulate	Simulates input signals, and enforce output signals for outputting	0	0-65535	RWS
d3.10	20000008	Switch_On_Auto	0: no operation 1: auto-enable when logic power- up.Can be set only if the DIN function enable is not defined.	0	0-255	RWS
d3.11	20100F10	Dout1_Function	See chapter 6.1, table 6-2	0x0001	0-65535	RWS
d3.12	20101010	Dout2_Function	See chapter 6.1, table 6-2	0x0010	0-65535	RWS
d3.13	20101110	Dout3_Function	See chapter 6.1, table 6-2	0x0004	0-65535	RWS
d3.14	20101210	Dout4_Function	See chapter 6.1, table 6-2	0x0008	0-65535	RWS

d3.23	2FF01D10	Analog1_Dead_V	Unit: 0.01V	0	-1000-1000	RWS
d3.24	2FF01E10	Analog1_Offset_V	Unit: 0.01V	0	-1000-1000	RWS
d3.25	25020410	Analog2_Filter	Filter parameter of analog signal 2	5	1-127	RWS
d3.26	2FF01F10	Analog2_Dead_V	Unit: 0.01V	0	-1000-1000	RWS
d3.27	2FF02010	Analog2_Offset_V	Unit: 0.01V	0	-1000-1000	RWS
d3.28	25020708	Analog_Speed_Con	Analog signal controls velocity, valid in operation mode 3 or -3 0: analog speed control OFF, velocity control via Target_Speed(60FF.00) 1: velocity controlled by AIN1 2: velocity controlled by AIN2	0	0-255	RWS
d3.29	30410410	EASY_Analog_Speed	Analog speed factor unit: rpm/V	/	-32768-32767	RWS
d3.30	25020808	Analog_Torque_Con	Analog signal control torque, valid in operation mode 4 0: Analog_Torque_control OFF, target torque is specified by Target_Torque% (6071.00) 1: torque controlled by AIN1 2: torque controlled by AIN2	0	0-255	RWS
d3.31	2FF02110	Voltage_Torque_Factor	Analog torque factor, unit: mNm/V	/	-32768-32767	RWS
d3.32	25020908	Analog_MaxT_Con	Analog signal control max. torque 0: not valid 1: max. torque controlled by AIN1 2: max. torque controlled by AIN2	0	0-255	RWS
d3.33	2FF02210	Voltage_MaxT_Factor	Analog max. torque factor, unit: mNm/V	/	-32768-32767	RWS
d3.34	25080110	Gear_Factor0	Numerator of electronic gear	1000	-32768-32767	RWS
d3.35	25080210	Gear_Divider0	Denominator of electronic Gear	1000	1-32767	RWS
d3.36	25080308	PD_CW	Pulse control mode 0: CW / CCW mode 1: pulse direction mode 2: incremental encoder mode	1	0-255	RWS
d3.37	25080610	PD_Filter	Filter parameter of pulse input	3	0-255	RWS
d3.38	25080810	Frequency_Check	Maximum frequency of input pulse unit: pulse/ms	600	0-3000	RWS
d3.39	25080910	Target_Reach_Time_Window	Target (position velocity) reached time window. unit: ms	10	0-32767	RWS
D3.40	2FF10108	Multi-stage_pos_control_L	Select the internal position segment, When the data is 0~7, it means to select and set the DIN position 0~7 in turn. When the data is 8, it means homing offsets in sequence.			
D3.41	2FF10210	Pos_M	D3.40 Selected position L Number of pulses=M*10000+N	0	-32768-32767	RWS

D3.42	2FF10310	Pos_N		0	-32768-32767	RWS
d3.43	20200F10	Din_Controlword	Input "enable" signal controls the Controlword setting	0X2F	0-65535	RWS
d3.44	20201820	Din_Speed4_RPM	See chapter 6.2.2, table 6-8 unit: rpm	0	-32768-32767	RWS
d3.45	20201920	Din_Speed5_RPM	See chapter 6.2.2, table 6-8 unit: rpm	0	-32768-32767	RWS
d3.46	20201A20	Din_Speed6_RPM	See chapter 6.2.2, table 6-8 unit: rpm	0	-32768-32767	RWS
d3.47	20201B20	Din_Speed7_RPM	See chapter 6.2.2, table 6-8 unit: rpm	0	-32768-32767	RWS

9.4 F004

This panel menu contains motor related parameters. Controller->Panel Menu->Motor Setting(F004)

Table 9-4: Panel F004

Panel address	Internal address	Name	Description	Default	Range	RWS
d4.00	2FF00308	Store_Motor_Data	Save motor parameters 1: save motor parameters	0	0-255	RW
d4.01	64100110	Motor_Num	Motor code Motor type LED JY KINCO-AS-40-01 594A Y0 KINCO-AS-60-02 3059 Y1 KINCO-AS-60-04 3159 Y2 KINCO-AS-80-07 3259	0	0-65535	RWS
d4.02	64100208	Feedback_Type	Type of encoder Bit0: UVW wire check Bit1: Nikon multiturn Bit2: Nikon singleturn Bit4: ABZ wire check Bit5: wire saving encoder	/	0-255	R
d4.03	64100508	Motor_Poles	Motor pole pairs unit: 2p	/	0-255	R
d4.04	64100608	Commu_Mode	Commutation mode	/	0-255	R
d4.05	64100710	Commu_Curr	Current for commutation unit: dec	/	-2048-2047	R
d4.06	64100810	Commu_Delay	Time for commutation unit: ms	/	0-32767	R
d4.07	64100910	Motor_IIt_I	Current of motor I ² t protection unit: 0.0707 Arms	/	1-1500	R
d4.08	64100A10	Motor_IIt_Filter	Time const of motor I ² t protection unit : 0.256 s	100	2-32767	R
d4.09	64100B10	Imax_Motor	Maximum motor current unit: 0.0707 Arms	/	0-32767	R
d4.10	64100C10	L_Motor	Motor winding inductance unit: 0.1mH	/	1-32767	R
d4.11	64100D08	R_Motor	Motor winding resistance of unit: 0.1ohm	/	0-32767	R
d4.12	64100E10	Ke_Motor	back EMF factor of motor unit: 0.1Vp/krpm	/	0-32767	R

d4.13	64100F10	Kt_Motor	Torque coefficient of motor unit: 0.01Nm/Arms	/	1-32767	R
d4.14	64101010	Jr_Motor	Rotor inertia unit: 0.01 kgcm ²	/	2-32767	R
d4.16	64101210	Brake_Delay	delay time for motor brake unit: ms	150	0-32767	R
d4.17	64101308	Invert_Dir_Motor	motor running dirction	0	0-1	R
d4.18	64101610	Motor_Using	Current using motor type	/	0-65535	R
d4.21	64101710	Addition_Device	Describe whether the motor has any addition device. Bit0: the motor with a brake Bit0=0: Motor without brake Bit0=1: Motor with brake if motor with brake,before the brake close totally,drive will keep working for some time(controlled by OD 6410.12).	0	0-65535	RWS
d4.22	64101810	Temp_Motor_Ref	Motor temperature reference			RWS
d4.24	64101C10	Index_Width	Index signal width	8		RWS
d4.25	64101D08	Encoder_Power_Delay	Power delay on encoder	5		RWS

9.5 F005

This panel menu contains miscellaneous controller parameters.

Controller->Panel Menu->Controller Setting(F005)

Table 9-5: Panel F005

Panel address	Internal address	Name	Description	Default	Range	RWS
d5.00	2FF00108	Store_Data	Save or init parameters 1: save control parameters 10: init control parameters	0	0-255	RW
d5.01	100B0008	Node_ID	Controller ID	1	0-255	RWS
d5.02	2FE00010	RS232_Baudrate	Serial port baudrate 540: 19200 270: 38400 90: 115200 Effective after reboot	270	0-65535	RWS
d5.03	2FE10010	U2BRG	Serial port baudrate 540: 19200 270: 38400 90: 115200 Effective immediately, can't be saved	270	0-65535	RWS
d5.04	60F70110	Chop_Resistor	Resistance value of brake resistor unit: ohm	0	0-32767	RWS
d5.05	60F70210	Chop_Power_Rated	Nominal power of brake resistor unit: W	0	0-32767	RWS

d5.06	60F70310	Chop_Filter	For chop power calculation.	60	1-32767	RWS
d5.15	65100B08	RS232_Loop_Enable	RS232 communication control 0: 1 to 1 1: 1 to N	0	0-255	RWS
d5.16	2FFD0010	User_Secret	User secret, 16 bit	0	0-65535	RWS
d5.17	2F810008	CAN_Baudrate	CAN baudrate setting 100: 1M 50: 500k 25: 250k 12: 125k 5: 50k	50	0-65535	RWS
d5.18	2FE20010	RS485_Baudrate	RS485_Baudrate of RS485 1080 9600 540: 19200 270: 38400 90: 115200 need reboot	540	0-65535	RWS
d5.19	65100C08	RS485_Protocol	RS485 communication protocol select 0: MODBUS 1: Same protocol as RS232	0	0-255	RWS

Chapter 10 Communication

10.1 RS232 wiring

10.1.1 RS232 Hardware port

The mini-usb port under the panel cover of the FD5 series servo drive is the 232 debugging port, which can be connected to the Kinco servo+ to directly control the work of the servo drive.

10.1.2 RS232 communication cable

The MINIUSB5p to DB9 configuration cable is the adapter cable between the drive and the computer. One end is connected to the RS232 (DB9 pin header interface) of the computer, and the other end is connected to the Mini-usb interface of the drive. If your computer does not have an RS232 DB9 interface, you need to use a USB-to-serial cable to connect.



Figure 10-1 miniusb-5p to DB9

10.1.3 RS232 **Transfer** **protocol**

FD5 series drives RS-232C communication strictly follows the master-slave protocol, Kinco servo+ can send any data to drive. The drive sets the address to calculate these data and respond with a return value. The default communication parameters of FD5 series servo are as follows:

Baud rate = 38400 bps

Data bit = 8

Stop bit = 1

No verification

The communication ID can be set through the device station number d5.01, and the baud rate can be set through d5.02. After setting, the baud rate must be saved by setting d5.00. The changed baud rate and ID will be restarted in the drive. effective later.



Attention

- When the host computer is connected through a baud rate of 115200, due to the high frequency of transmission signals, there are certain requirements for the communication environment. If there is a disconnection or frame loss, it is recommended to reduce the communication baud rate to connect to the host computer software.

RS232 The transport protocol used is in a fixed ten-byte packet format:

Bit 0	bit 1	Bit 2	Bit 3	Bit 4	Bit 5	Bit 6	Bit 7	Bit 8	Bit 9
Drive ID	Data								CHKS

CHKS = -SUM(byte0.....byte8), CHKS are the last two digits of the calculation result

Host sending:

Bit 0	Bit 1	Bit 2	Bit 3	Bit 4	Bit 5	Bit 6	Bit 7	Bit 8	Bit 9
Drive ID	Host sends data								CHKS

Servo sending or host receiving:

Bit 0	Bit 1	Bit 2	Bit 3	Bit 4	Bit 5	Bit 6	Bit 7	Bit 8	Bit 9
Drive ID	Host receive								CHKS



Attention

- There is an independent CHKS for every ten Bits.
- If the host sends an address that does not exist in the network to the servo drive, the servo drive will not respond.
- When the master sends a correct data, the slave will look for the slave data of the corresponding address and check the check value. If the check value does not match, the slave will not respond.

10.1.4 RS232 Data protocol

The data protocol is different from the transmission protocol, and its content refers to 8 data bytes out of the 10 bytes above. The internal data definition of FD5 series servo drives conforms to the CANopen international standard. Values and functions are expressed by indices and sub-indices.

A: Downloading (From master to slave)

Download means that the master sends a command to write a value to the slave object. If downloaded to a non-existent object, the master will generate an error.

The data format from the master

Bit 0	Bit 1	Bit 2	Bit 3	Bit 4	Bit 5	Bit 6	Bit 7
Function code	Indexes		Subindexes	Data			

- Function data Specifies the direction and size of the data transfer
 - 23(0x16) Sending 4 Bits of data(bytes 4...7 include 32 bits)
 - 2B(0x16) Sending 2 Bits of data(bytes 4...5 include 16 bits)
 - 2F(0x16) sending 1 Bit of data(bytes 4 include 8 bits)
- Indexes The address of the sending object, 16 bits
- Subindexes Subaddress of the sending object, 8 bits
- Data Sending data

The order of the four bits in the data is that the high bit is in the back and the low bit is in the front.

- example:

Write 600rpm to the "target speed" of the slave station, the internal unit of 2FF0.09 is rpm, 600 is decimal, and hexadecimal is 258. Since the length of the object to be written is 4 bits, but the calculation result is only two Bit, should be filled with 0 in the high order, so the final result = 00 00 02 58

Slave response data format

Bit 0	Bit 1	Bit 2	Bit 3	Bit 4	Bit 5	Bit 6	Bit 7
Function code	Indexes		Subindexes	Keeping			

- Function code: display slave response
 - 60(0x16) Data sending succeeded
 - 80(0x16) Error from Bit 4...7
- Indexes The address of the sending object, 16bits, same as master' s
- Subindexes Subaddress of the sending object, 8bits, same as master' s
- Keeping Keeping data

B: upload(from slave to master)

Upload means that the master sends a command to read the slave object address. Uploading a non-existent address will cause an error to the master.

Sending data from master

Bit 0	Bit 1	Bit 2	Bit 3	Bit 4	Bit 5	Bit 6	Bit 7
Function code	Indexes		Subindexes	Keeping			

- Function code Define the direction of data transfer
 - 40(0x16) Read data

- Indexes The address of the sending object, 18 bits
- Subindexes Subaddress of the sending object, 8 bits
- Keeping Bit 4...7 are not used

Receiving data of Slave

Bit 0	Bit 1	Bit 2	Bit 3	Bit 4	Bit 5	Bit 6	Bit 7
Function code	Indexes		Subindexes	data			

- Function code Display Slave response
 - 43(0x16) Bit 4...7 include 32 bits data
 - 4B(0x16) Bit 4...5 include 16 bits data
 - 4F(0x16) Bit 4 include 8 bits data
 - 80(0x16) Error, Produced bt Bit 4..7
- Indexes The address of the sending object, 16bits, same as master' s.
- Subindexes Subaddress of the sending object, 8bits, same as master' s
- Data Data from Slave

If there is no error in the data, Bits 4..7 hold the value of the slave object, with the low order first and the high order last. If there is an error in the data, the data of these four bits is not equal to the value of the slave object
- Example:

The master sends an "upload" command to the slave:

01 40 F0 2F 09 58 02 00 00 3D (This command is to read the target speed of the slave 2FF00910)

Slave response:

01 4B F0 2F 09 58 02 00 00 32

Direction: 01 Slave number is 1

4B Received 2 bits, saved by byte4 and byte5 in the 10 bits of the response

F0 2F The object index address is 2FF0

09 The object subindex address is 09

58 02 00 00 Data is 00 00 02 58(hex)= 600 rpm

Table 9-1 Set origin mode/position mode/speed mode via

Homing mode				
Address	Name	Value	Message(ID=1)	Remark
6040001 0	Control word	F	Send→01 2B 40 60 00 0F 00 00 00 25 Receive←01 60 40 60 00 0F 00 00 00 F0	
6060000 8	Operation mode	6	Send→01 2F 60 60 00 06 00 00 00 0A Receive←01 60 60 60 00 06 00 00 00 D9	

60980008	Homing mode	33	Send→01 2F 98 60 00 21 00 00 00 B7 Receive←01 60 98 60 00 21 00 00 00 86	Origin turning signal speed and origin
60990120	Origin turning signal speed	200RPM	Send→01 23 99 60 01 03 9D 36 00 0C Receive←01 60 99 60 01 03 9D 36 00 CF	The signal speed is expressed in decimal DEC by default, DEC=[(RPM*512*[641003])/1875]
60990220	Origin signal speed	100RPM	Send→01 23 99 60 02 82 4E 1B 00 F6 Receive←01 60 99 60 02 82 4E 1B 00 B9	
60400010	control bit	1F	Send→01 2B 40 60 00 1F 00 00 00 15 Receive←01 60 40 60 00 1F 00 00 00 E0	
Send 01 40 41 60 00 00 00 00 1E Read control bits, Drive response 01 4B 41 60 00 31 C0 FF FF 24 , bit15=1 indicates home is found				

Position mode				
Address	Name	Value	Message(ID=1)	Remark
60400010	Control word	2F	Send→01 2B 40 60 00 2F 00 00 00 05 receive←01 60 40 60 00 2F 00 00 00 D0	The trapezoidal speed is in decimal by default DEC=[(RPM*512*[641003])/1875]
		4F	Send→01 2B 40 60 00 4F 00 00 00 E5 receive←01 60 40 60 00 4F 00 00 00 B0	
60600008	Operation mode	1	Send→01 2F 60 60 00 01 00 00 00 0F receive←01 60 60 60 00 01 00 00 00 DE	DEC indicates DEC=[(RPM*512*[641003])/1875]
607A0020	Target position	50000inc	Send→01 23 7A 60 00 50 C3 00 00 EF receive←01 60 7A 60 00 50 C3 00 00 B2	
60810020	trapezoidal speed	200RPM	Send→01 23 81 60 00 03 9D 36 00 25 receive←01 60 81 60 00 03 9D 36 00 E8	
60830020	trapezoidal acceleration	100rps/s	Send→01 23 83 60 00 6E A3 01 00 E7 receive←01 60 83 60 00 6E A3 01 00 AA	Trapezoidal acceleration and trapezoidal acceleration are expressed in decimal DEC by default., DEC=[(RPS/S*65536*[641003])/4000000]
60840020	trapezoidal acceleration	100rps/s	Send→01 23 84 60 00 6E A3 01 00 E6 receive←01 60 84 60 00 6E A3 01 00 A9	
60400010	Control word	3F	Send→01 2B 40 60 00 3F 00 00 00 F5 receive←01 60 40 60 00 3F 00 00 00 C0	

		5F	Send→01 2B 40 60 00 5F 00 00 00 D5 receive←01 60 40 60 00 5F 00 00 00 A0	2F→3F: absolute positioning 4F→5F: relative positioning
--	--	----	--	--

Send 01 40 41 60 00 00 00 00 00 1E read statu bit, Drive response 01 4B 41 60 00 37 C4 FF FF 1A,bit10 indicates target position reached	
---	--

Velocity mode				
Address	Name	Value	Message(ID=1)	Remark
60600008	Operation mode	3	Send→01 2F 60 60 00 03 00 00 00 0D receive←01 60 60 60 00 03 00 00 00 DC	The target speed is expressed in decimal DEC by default DEC=[(RPM*512*[641003])/1875] Trapezoidal acceleration and trapezoidal acceleration are expressed in decimal DEC by default: DEC=[(RPS/S*65536*[641003])/4000000]
60FF0020	Target speed	-100RPM	Send→01 23 FF 60 00 7E B1 E4 FF 6B receive←01 60 FF 60 00 7E B1 E4 FF 2E	
60400010	Control word	2F	Send→01 2B 40 60 00 2F 00 00 00 05 receive←01 60 40 60 00 2F 00 00 00 D0	
60830020	Trapezoidal acceleration	100rps/s	Send→01 23 83 60 00 6E A3 01 00 E7 receive←01 60 83 60 00 6E A3 01 00 AA	
60840020	Trapezoidal deceleration	100rps/s	Send→01 23 84 60 00 6E A3 01 00 E6 receive←01 60 84 60 00 6E A3 01 00 A9	

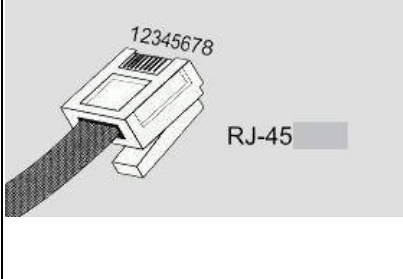
Note: The message is expressed in hexadecimal, and the motor resolution used in this case is 65536

10.2 RS485 Communication

10.2.1 RS485 Hardware wiring

The RS485 port of the FD5 series servo drive supports the MODBUS communication function, which can be used to modify the internal parameters of the servo and monitor the servo status. The communication line of the master station is connected to X4A (IN), and X14B (OUT) is connected to the next slave device. Wiring is shown in Figure 10-2 and Figure 10-3.

table 10-2 RS485 Communication port description

	Pin	Signal mark	Signal name
	4	TX-	Negative of data sending
5	TX+	Positive of data sending	

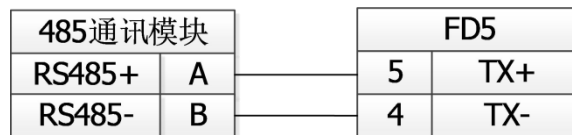


Figure 10-2 RS485 signal wiring

10.2.2 RS485 communication parameters

Table 10-3 RS485 communication parameters setting

LED display	Internal address	Name	Meaning	Default
d5.01	100B0010	ID_Com Station No.	Station No., to change this parameter, you need to save it with the address d5.00 and restart it later. The station number can be changed by the DIP switch under the panel. Details refers to Chapter 3.8	1
d5.18	2FE20010	RS485 baud rate	Used to set the baud rate of RS485 value baud rate 1080—————9600 540—————19200 270—————38400 90—————115200 Note: need to save and restart.	540
d5.19	65100C08	RS485 protocol selection	0: use Modbus communication protocol 1: use RS232 communication protocol Note: need to save and restart.	0
	65100E10	RS485 Mod	0008: data bit=8, stop bit=1, No parity check 0009: data bit=8, stop bit=2, No parity check	0008

10.2.3 MODBUS RTU communication protocol

FD5 servo drive supports MODBUS RTU communication protocol, and its internal objects are discontinuous 16-bit data registers (mapped to 4X when read and written by the Kinco servo+).

Table 10-4 Basic format of Modbus RTU communication protocol

Target station	Function code	data	CRC check code
1 Bit	1 Bit	N Bit	2 Bit

Note: It should start with a message interval of no less than 3.5 characters.

The brief introduction of Modbus common function codes is as follows:

Function code 0x03: read data register request format:

Target station	Function code	Start address High Bit	Start address Low Bit	Read number High Bit	Read number Low Bit	CRC
1 Bit	03	1 Bit	1 Bit	1 Bit	1 Bit	2 Bit

Correct response:

Target station	Function code	Return data Bit number	Register 1 High Bit	Register 1 Low Bit	CRC
1 Bit	03	1 Bit	1 Bit	1 Bit	2 Bit

If a response error such as the address does not exist, the returned function code is 0x81

Example: Sending message 01 03 32 00 00 02 CA B3

Message meaning: 01—ID No. ;

03—Function code, read data register;

32 00—The modbus address of the servo read-only object "status word" 60410010;

00 02—Read the number of word data;

CA B3—Check code.

Function code 0x06: write single data register request format

Target station	Function code	Register address High Bit	Register address Low Bit	Forcing value High Bit	Forcing value Low Bit	CRC
1 Bit	06	1 Bit	1 Bit	1 Bit	1 Bit	2 Bit

Response format: If the setting is successful, the original text will be returned

If the written data is out of range, the address does not exist, and the response to read-only data operations is wrong, the returned function code is 0x86.

Example: Sending message 01 06 31 00 00 0F C7 32

Message meaning: 01—ID No.

06—Function code to write a single WORD;

31 00—The modbus address of the servo writable object "control word" 60400010, the data length is a single WORD;

00 0F—Write data Hexadecimal 000F

C7 32—Check code

Function code 0x19: write multi-holding register
request format:

Target station	Function code	Start address High Bit	Start address Low Bit	Quantity high bit	Quantity low bit	Force value Bit number	Force value 1 High bit	Force value 1 Low bit	CRC
1 Bit	10	1 Bit	1 Bit	1 Bit	1 Bit				2 Bit

correct response format:

Target station	Function code	Start address High Bit	Start address Low Bit	Quantity high bit	Quantity low bit	CRC
1 Bit	10	1 Bit	1 Bit	1 Bit	1 Bit	2 Bit

If the written data is out of range, the address does not exist, and the response to read-only data operations is wrong, the returned function code is 0x90.

Example: Sending message: 01 10 6F 00 00 02 04 4E 82 00 1B ED 56

Message meaning: 01—ID No.

10—Function code to write multiple WORD;

6F 00—The modbus address of the servo writable object "control word" 60400010, the data length is two WORD

00 02—write 2 WORD;

04—Data length is 4 Bit (2 WORD);

4E 82 00 1B—write data hexadecimal 001B4E82, decimal 1789570, convert to 100RPM;

ED 56—Check code;

10.2.4 Communication troubleshooting measures

When the communication connection between the driver and the Kinco Servo+ cannot be performed, please refer to Chapter 10.2 to check the communication parameters and wiring of the driver. When the communication of the drive is easy to drop, read only but not write or only write but not read, etc., you can troubleshoot through the following aspects:

1. Terminating resistor. When the 485 communication rate is high and the communication distance is long, the signal will be reflected at the end of the transmission line. Therefore, it is necessary to connect a 120Ω terminal resistor in parallel at the beginning and end of the communication network. Since the FD servo drive has its own terminal resistance, it is only necessary to dial the dial code of the first and last drives to the ON position.

2. Cable size. The recommended wire diameter of the 485 signal cable is 24AWG, and shielded twisted pair cables should be used. The shielding layers of the cables should be grounded together and the grounding resistance should not be greater than 1Ω. The use of twisted pairs can effectively eliminate antagonistic interference, and cables with good shielding can effectively reduce the impact of external interference sources.

3. Reasonable wiring. The communication cables should be routed in separate troughs from the power cables, and the distance should be $\geq 20\text{cm}$. If the cables can be tucked into a metal tube, the anti-interference ability will be better. During the wiring process, the signal line and the power supply line intersect vertically, and parallel laying should be avoided as much as possible.
4. Good grounding. The motor power cable must use a cable with a shielded net, the motor PE is connected to the ground terminal of the driver, and the driver shell must be well grounded. For the grounding diagram, please refer to Figure 3.6 in Chapter 3.
5. Power disturbance. The unstable power supply of the grid will also directly affect the normal use of the servo. For the external circuit of the driver, please refer to Chapter 3.2 for connection.

10.3 CANopen Bus communication

The data content of the transport protocol is the data protocol. It contains 8 bytes. The definition of the CD3 motor controller's RS232 data protocol is compatible with the CANopen SDO protocol, as well as the internal data organisation complies to the CANopen standard. All parameters, values and functions are accessible via a 24-bit address, built of a 16-bit index and 8-bit.

10.3.1 CANopen bus communication hardware description

Table 10-6 Pin name and function

Pin No.	Signal mark	Signal description
1	CAN_H	CAN_H bus (high dominant)
2	CAN_L	CAN_L bus cable(low dominant)
3	CAN_GNDB	Signal ground

The CAN communication protocol mainly describes the information transfer method between devices. The definition of the CAN layer is consistent with the open system interconnection model (OSI). Each layer communicates with the same layer on another device, the actual communication takes place on two adjacent layers on each device and the devices are interconnected only through the physical medium of the model physical layer, The specification of CAN defines the bottom two layers of the model, the data link layer and the physical layer. The physical layer of the CAN bus is not strictly regulated, and can use a variety of physical media such as twisted pair optical fibers, etc. The most commonly used is twisted pair signals, using differential voltage transmission (commonly used bus transceivers). The two signal lines are called CAN_H and CAN_L, and they are both about 2.5V in static state. At this time, the state is expressed as logic 1, which can also be called recessive bit. CAN_H is higher than CAN_L to represent logic 0, which is called display bit. At this time, the usual voltage value is CAN_H=3.5V and CAN_L=1.5V, Epiphany first in conflict. The names and functions of the CAN communication interface pins are shown in Table 10-6.

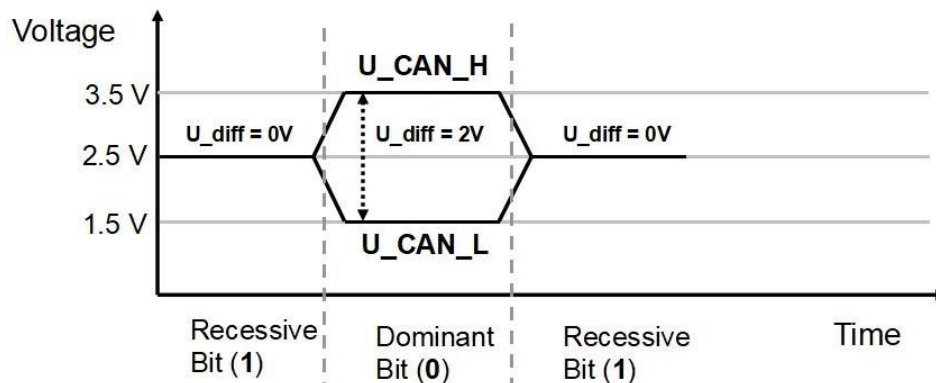


Figure 10-5 CAN Signal Identification

Notice:

- 1、The CAN_L and CAN_H pins of all slave stations can be directly connected to each other, and the connection is made in series, not star connection;
- 2、The communication ID can be modified through the SW1 DIP switch on the panel, and the detailed DIP instructions can be found in Chapter 3.8.
- 3、The master terminal and the last slave terminal need to be connected to a 120 ohm terminal resistor, as shown in Figure 10-6 below. FD5 driver comes with terminal resistance dial SW2, dial it to ON to turn on the terminal resistance. Please restart the driver after changing the DIP status of the terminal resistance.
- 4、Please use shielded twisted pair cables for communication cables, and do grounding treatment (The 3-pin ground wire can be disconnected during short-distance communication, but it is recommended to connect the 3-pin ground wire during long-distance and high baud rate communication) ;
- 5、Table 10-7 shows the theoretically longest distances that can be communicated with various baud rates.
- 6、FD5 series servo drives do not need to connect an external 24V power supply to supply power to CAN.

Table 10-7 The longest distance table that can theoretically communicate with each baud rate

Communication speed (bit/s)	Communication distance (M)
1M	25
800K	50
500K	100
250K	250
125K	500
50K	600
25K	800
10K	1000

10.3.2 CANopen bus communication software description

EDS files

The EDS (electronic data sheet) file is the identification file or similar code of the slave station connected to the PLC. Through this file, the type of the slave station is identified (what kind of 401, 402, 403 is similar, or which one of 402 belongs to) equipment). This file contains all the information of the slave station, such as manufacturer, serial number, software version, supported baud rate type, OD that can be mapped and the attributes of each OD and other parameters, similar to the GSD file of Profibus. Therefore, before the hardware configuration, we first need to import the EDS file of the slave station into the host configuration software.

SDO

SDO (Service data object) is mainly used to transmit low-priority objects between devices, and is typically used to configure and manage slave devices. For example, it is used to modify PID parameters of current loop, speed loop and position loop, PDO configuration parameters, etc. This data transmission method is the same as that of MODBUS, that is, after the master

station sends out, the slave station needs to return data response. This communication method is only suitable for parameter setting, not suitable for data transmission with high real-time requirements.

The communication mode of SDO is divided into upload and download. The host computer can read and write the OD inside the servo according to the dedicated SDO read and write instructions. In the CANopen protocol, the content of the object dictionary can be modified through SDO (Service Data Object). The structure of the SDO command and the guidelines to follow are described below.

Basic structure of SDO: Client→Server/Server→Client

Byte0	Byte1-2	Byte3	Byte4-7
SDO Command specifier	object index	object subindex	Maximum 4 Bit data

The SDO command word contains the following information:

- Download/upload
- Request/response
- Segmented/expedited transfer
- CAN frame data bit length, used for alternately clearing and setting toggle bits for each subsequent segment. 5 request/response protocols are implemented in SDO:
- initiate Domain Download
- Download Domain Segment
- Initiate Domain Upload
- Upload Domain Segment
- Abort Domain Transfer

Among them, Download refers to the write operation of the object dictionary, and Upload refers to the read operation of the object dictionary; when reading parameters, use the Initiate Domain Upload protocol; when setting parameters, use the Initiate Domain Download protocol; the SDO command word of the protocol (SDO CAN The first Bit) syntax of the message is described in Table 10-8 and Table 10-9, where "-" means irrelevant and should be 0).

Table 10-8 Initiate Domain Download

Bit	7	6	5	4	3	2	1	0
Client→	0	0	1	-	n		e	s
←Server	0	0	1	-	-	-	-	-

Table 10-9 Initiate Domain Upload

Bit	7	6	5	4	3	2	1	0
Client→	0	0	1	-	-	-	-	-
←Server	0	0	1	-	n		e	s

Description:

n——Indicates the number of bits of meaningless data in the message data [from (8-n) Bit to the 7th Bit data is meaningless] (n is valid when e=1 and s=1, otherwise n is 0)

e——Normal transmission when e=0, accelerated transmission when e=1;

s——Indicates whether the data length is specified, 0 means the data length is not specified, 1 means the data length is specified

e=0, s=0——Keep by CiA ;

e=0, s=1——Data Bit is the Bit counter, byte4 is LSB, byte7 is MSB

e=1——Data Bit is the data to be downloaded.

Table 10-10 and 10-11 show the format of sending and receiving SDO message when reading parameters.

Table 10-10 Send SDO message when reading parameters

Identifier	DLC	Daten							
		0	1	2	3	4	5	6	7
0x600+Node_ID	8	send command word	object index		object subindex		00		

Table 10-11 receive SDO message when reading parameters

Identifier	DLC	Daten							
		0	1	2	3	4	5	6	7
0x580+Node_ID	8	receive command word	object index		object subindex		Maximum 4 Bit data		

Note : When the SDO message is sent, the command word is 0x40;

If the received data is 1 bit, the received command word is 0x4F; if the received data is 2 bits, the received command word is 0x4B; if the received data is 4 bits, the received command word is 0x43; if there is an error in the received data , the received command word is 0x80.

Table 10-12 and 10-13 show the format of sending and receiving SDO message when modifying parameters.

Table 10-12 Send SDO message when edit parameters

Identifier	DLC	Daten							
		0	1	2	3	4	5	6	7
0x600+Node_ID	8	Send command word	object index		object subindex		Maximum 4 Bit data		

Table 10-13 Receive SDO message when edit parameters

Identifier	DLC	Daten							
		0	1	2	3	4	5	6	7
0x580+Node_ID	8	Receive command word	object index		object subindex		Maximum 4 Bit data		

Note : If the SDO message is sent successfully, the received command word is 0x60; if the SDO message fails to be sent, the received command word is 0x80.

If the data to be sent is 1 Bit, the command word to send is 0x2F;

If the data to be sent is 2 bits, the command word to send is 0x2B;

If the data to be sent is 4 bits, the sending command word is 0x23.

When the SDO message fails to be sent, you can troubleshoot the problem

according to the error code returned.

Table 10-14 SDO message error code

Error code	Description
0x05040001	Invalid command, unknown or illegal Client/Server command word
0x06010001	Attempt to read write-only object parameter
0x06010002	Attempt to write read-only object parameter
0x06020000	Invalid index, the object does not exist in the object dictionary
0x06040041	Unable to map, object parameter does not support mapping to PDO
0x06060000	The drive is in an error failure state and the object parameter access fails
0x06070010	Data type mismatch, service parameter length mismatch
0x06070012	Data type mismatch, service parameter length is too large
0x06070013	Data type mismatch, service parameter length is too short
0x06090011	invalid subindex
0x06090030	Invalid data, beyond the object parameter setting range
0x06090031	The write data value is too large
0x06090032	Write data value is too small
0x08000022	Data cannot be transferred or saved to the app due to the current device state

Table 10-15 Set the origin mode by SDO message

Parameters address	Name	Value	Message(ID=1)
60400010	Control word	F	Send→601 2B 40 60 00 0F 00 00 00 Receive←581 60 40 60 00 0F 00 00 00
60600008	Operation mode	6	Send→601 2F 60 60 00 06 00 00 00 Receive←581 60 60 60 00 06 00 00 00
60980008	Origin mode	33	Send→601 2F 98 60 00 21 00 00 00 Receive←581 60 98 60 00 21 00 00 00
60990120	Origin turning signal speed	200RPM	Send→601 23 99 60 01 03 9D 36 00 Receive←581 60 99 60 01 03 9D 36 00
60990220	Origin signal speed	100RPM	Send→601 23 99 60 02 82 4E 1B 00 Receive←581 60 99 60 02 82 4E 1B 00
60400010	Congrol word	1F	Send→601 2B 40 60 00 1F 00 00 00 Receive←581 60 40 60 00 1F 00 00 00
Send 601 40 41 60 00 00 00 00 00 read status word, Drive response 581 4B 41 60 00 31 C0 FF FF , bit15=1 indicate origin found			

Table 10-16 Setting position mode through SDO message

Parameter address	name	Value	Message(ID=1)
60400010	Control word	2F	Send→601 2B 40 60 00 2F 00 00 00 Receive←581 60 40 60 00 2F 00 00 00
		4F	Send→601 2B 40 60 00 4F 00 00 00 Receive←581 60 40 60 00 4F 00 00 00
60600008	Operation mode	1	Send→601 2F 60 60 00 01 00 00 00 Receive←581 60 60 60 00 01 00 00 00
607A0020	Target position	50000inc	Send→601 23 7A 60 00 50 C3 00 00 Receive←581 60 7A 60 00 50 C3 00 00
60810020	trapezoidal speed	200RPM	Send→601 23 81 60 00 03 9D 36 00 Receive←581 60 81 60 00 03 9D 36 00
60830020	trapezoidal acceleration	100rps/s	Send→601 23 83 60 00 6E A3 01 00 Receive←581 60 83 60 00 6E A3 01 00
60840020	trapezoidal acceleration	100rps/s	Send→601 23 84 60 00 6E A3 01 00 Receive←581 60 84 60 00 6E A3 01 00
60400010	Control word	3F	Send→601 2B 40 60 00 3F 00 00 00 Receive←581 60 40 60 00 3F 00 00 00
		5F	Send→601 2B 40 60 00 5F 00 00 00 Receive←581 60 40 60 00 5F 00 00 00
Send 601 40 41 60 00 00 00 00 00 read status word, Drive response 581 4B 41 60 00 37 C4 FF FF,bit10 indicates target position reached			

Table 10-17 Setting Velocity mode through SDO message

Parameter address	Name	value	message(ID=1)
60600008	Operation mode	3	Send→601 2F 60 60 00 03 00 00 00 Receive←581 60 60 60 00 03 00 00 00
60FF0020	Target speed	-100RPM	Send→601 23 FF 60 00 7E B1 E4 FF Receive←581 60 FF 60 00 7E B1 E4 FF

60400010	Control word	2F	Send→601 2B 40 60 00 2F 00 00 00 Receive←581 60 40 60 00 2F 00 00 00
60830020	Trapezoidal acceleration	100rps/s	Send→601 23 83 60 00 6E A3 01 00 Receive←581 60 83 60 00 6E A3 01 00
60840020	Trapezoidal deceleration	100rps/s	Send→601 23 84 60 00 6E A3 01 00 Receive←581 60 84 60 00 6E A3 01 00

Attention: The message is expressed in hexadecimal, and the resolution of the motor used in this case is 65536

Description of PDO

PDO can transmit 8 bits of data at one time, and there is no other protocol preset (meaning that the data content has been predefined), and it is mainly used to transmit data that requires high-frequency exchange. The transmission method of PDO breaks the existing data question-and-answer transmission concept, and adopts a new data exchange mode. The two sides of the device define the data receiving and sending areas in each device before transmission, and directly send the relevant data to the data receiving area of the other party during data exchange. This method reduces the question-and-answer query time, thereby greatly improving the efficiency of bus communication, thereby achieving extremely high bus utilization.

Description of PDO' s COB-ID

COB-ID is a unique method of CANopen communication protocol, its full name is Communication Object Identifier-communication object-ID, These COB-IDs define the corresponding transmission levels for the PDO. With these transmission levels, the controller and the servo can define the same transmission level and the transmission content in their respective software configurations. In this way, after both the controller and the servo use the same transmission level and transmission content, the data transmission is transparent, that is, both parties know the content of the data to be transmitted, and there is no need for the other party to reply data when transmitting data.

The default ID allocation table is based on the 11-bit CAN-ID defined by CANopen 2.0A (CANopen 2.0B protocol COB-ID is 27 bits), including a 4-bit function code part and a 7-bit node ID (Node-ID) section, as shown in Figure 10-4.

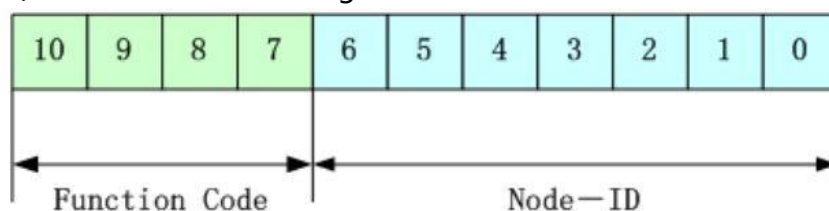


Figure 10-6 default ID explanation diagram

Node-ID ——Defined by the system integrator, for example, set by the DIP switch on the device (that is, the station number of the servo), the Node-ID range is 1~127 (0 is not allowed to be used);

Function Code ——The function code of data transmission defines the transmission level of various PDOs, SDOs, and management messages. The smaller the function code, the higher the priority.

Table 10-14 CANopen predefined master/slave connection set CAN identifier assignment table

Broadcast object for CANopen predefined master/slave connection set			
Object	Function code (ID-bits 9-7)	COB-ID	Index of communication parameters in OD
NMT Module Control	0000	000H	-
SYNC	0001	080H	1005H, 1006H, 1007H
TIME SSTAMP	0010	100H	1012H, 1013H
Peer object for CANopen master/slave connection set			
Object	Function code (ID-bits 9-7)	COB-ID	Index of communication parameters in OD
Emergency	0001	081H-0FFH	1024H, 1015H
PDO1 (Send)	0011	181H-1FFH	1800H
PDO1 (Receive)	0100	201H-27FH	1400H
PDO2 (Send)	0101	281H-2FFH	1801H
PDO2 (Receive)	0110	301H-37FH	1401H
PDO3 (Send)	0111	381H-3FFH	1802H
PDO3 (Receive)	1000	401H-47FH	1402H
PDO4 (Send)	1001	481H-4FFH	1803H
PDO4 (Receive)	1010	501H-57FH	1403H
SDO (Send/Server)	1011	581H-5FFH	1200H
SDO (Receive/Client)	1100	601H-67FH	1200H
NMT Error Control	1110	701H-77FH	1016H-1017H

- Note: 1、 The smaller the COB-ID, the higher the priority;
2、 The function code in front of each level of COB-ID is in a fixed format;
3、 COB-IDs are 00H, 80H, 100H, 701H-77FH, and 081H-0FFH, which are all system management formats.

COB-IDs supported by FD5 series servo drives

● Send PDO (TXPDO)

TXBDO refers to the data sent by the servo relative to the servo, and these data are received by the PLC. The function code (COB-ID) for sending PDO is:

- 1、 0x180+ Servo station NO.
- 2、 0x280+ Servo station NO.
- 3、 0x380+ Servo station NO.
- 4、 0x480+ Servo station NO.

● Receive PDO (RXPDO)

Compared with the servo, the receiving PADO refers to the data received by the servo. These data are sent by the PLC. The function code (COB-ID) of the sending PDO is:

- 1、 0x200+ Servo station NO.
- 2、 0x300+ Servo station NO.
- 3、 0x400+ Servo station NO.
- 4、 0x500+ Servo station NO.

● PDO Transmission type

PDO has two different transmission type:

Synchronize (SYNC) ——Transmission triggered by synchronization messages (Transmission type: 0-240)

In this transmission mode, the controller must have the ability to send synchronization messages (messages sent periodically with a frequency of up to 1KHZ), and the servo will send the synchronization message after receiving the message.

Period - The transfer type is 1-240. Delivery is triggered after every 1 to 240 SYNC messages. In this mode, the data in the PDO is sent once every time the servo drive receives n synchronization messages.

Asynchronous (Transmission Type: 254/255)

The message is sent after the slave message data has changed, regardless of whether the master asks it or not. And can define the time interval between two transmissions of the same message to avoid high priority messages occupying the bus all the time (the lower the PDO value, the higher the priority).

The send PDO (TPDO) function of FD5 series servo drives supports synchronous and asynchronous transmission modes, and the corresponding transmission type can be selected according to the transmission mode. For the receiving PDO (RPDO), in the non-interpolation mode when the driver node is turned on, as long as the RPDO message sent from the bus is detected, the object data will be received in real time, which has nothing to do with the transmission type setting. In interpolation mode, the drive will receive data first after detecting the RPDO signal, but will update the object data only at a specific point in time. For detailed interpolation mode control see chapter

10.3.4 Description.PDO prohibition time

A PDO can specify a prohibition time, that is to define the minimum interval between two consecutive PDO transmissions, to avoid the problem that the data volume of high-priority information will always occupy the bus and make other data with lower priority unable to compete for the bus. The disable time is defined by a 16-bit unsigned integer, the unit is 100ms.

- PDO Event time

The cycle time for the drive to send the PDO message to the controller in the asynchronous transfer mode, in ms. Note that when using event time, the inhibit time should be set to 0.

Description of protection method/supervision type

Supervision type refers to which inspection method the master station chooses to check the slave station during the running process, judge whether the slave station is faulty or not by these two methods, and make corresponding treatment according to these faults.

1、 Master heartbeat message

The slave station periodically uploads messages to the master station with the "supervision time". If the master station has not received the next heartbeat message from the slave station after the "heartbeat client time", the master station judges that the communication is wrong and generates an alarm!

Table 10-15 Format of heartbeat message uploaded by slave station

COB-ID	Byte 0
0x700+Node_ID	Status

2、 Slave heartbeat message

The master station periodically sends messages to the slave station according to the "supervision time". If the slave station has not received the next heartbeat message from the master station after the "heartbeat producer time", the slave station will determine that there is a communication error! When the communication interrupted mode (0x600700) is 1, When the CAN communication fails, the drive will alarm and stop.

Table 10-16 Format of the heartbeat message sent by the master station

COB-ID	Byte 0
0x700+Master station ID	Master station status

Table 10-17 meaning of status value

Status value	Meaning
0x00	boot-up
0x04	Stopped
0x05	Operational
0x7f	Pre-operational

When a Heartbeat node starts up, its Boot-up message is its first Heartbeat message.

Attention

- The generation time of the heartbeat message and the heartbeat message of the slave station are configured by the power-on of the master station, and are not saved by default.

3、Node guard

The master station periodically sends a remote request message to the slave station with the "supervision time", and the slave station responds after receiving it. If the master station has not received the response message from the slave station after the time of "supervision time * life factor", the master station judges that the slave station has an error. At the same time, the slave station can also monitor the remote request status of the master station, and start communication protection from the first remote frame received. If the remote frame of the master station is not received after the time of "node protection time * node protection coefficient", the slave station will judge the communication error. You need to set the communication interruption mode (0x600700) to 1, the drive will alarm and stop when there is an error in CAN communication.

Master request message format - (0x700+node number) (this message has no data)

Station response message format——(0x700+node number)+status

Table 10-18 slave station response message

COB-ID	Byte 0
0x700+Node_ID	Bit7:trigger bit Bit6-Bit0:status

Table 10-19 The meaning of the status value of the response message from the slave station

Status value	meaning
0	Initializing
1	Disconnected
2	Connecting
3	Preparing
4	Stopped
5	Operational
127	Pre-operational

Status - The data part includes a trigger bit (bit7), which must be alternately set to '0' or '1' in each node guard response. The trigger bit is set to '0' on the first node guard request. Bits 0 to 6 (bit0 to 6) are used to indicate the node status, and the meanings of the values are shown in Table 10-18.

Standard CAN slave stations generally only support one node protection mode, and FD5 series servo drives support both protection modes. However, a node cannot support node protection and heartbeat messages at the same time, and only one of them can be selected as protection.

Bootup process description

During network initialization, CANopen supports extended boot-up as well as minimized

boot-up. This initialization process can be represented by a node state transition diagram, as shown in Figure 10-5.

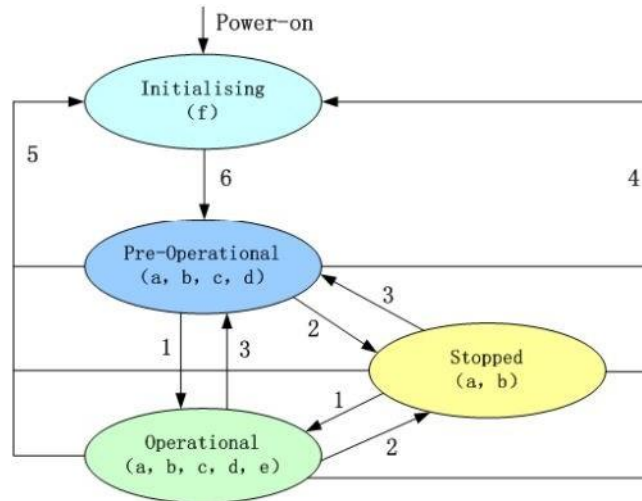


Figure 10-7 Node state transition diagram

Note: The letters in brackets in the figure indicate the communication objects that can be used in different states.

a: NMT d:emergency b:node guard e:PDO c:SDO f:Boot-up

You can switch between various modes through NMT management messages. Only the NMT-Master node can transmit NMT Module Control messages. All slave devices must support NMT Module Control services, and NMT Module Control messages do not need to be answered. After the device is initialized, it automatically enters the Pre_Operational state and sends a Boot-up message. The NMT message format is as follows: NMT-Master→NMT Slave(s)

Table 10-20 Format of NMT managing message

COB-ID	Byte0	Byte1
0x000	CS	Node-ID

When Node-ID=0, all NMT slaves are addressed. CS is the command word, and its value is shown in Table 10-15.

Table 10-20 CS value table

Command word	NMT service
0x01	Start the remote node
0x02	Shut down the remote node
0x80	enter pre-operational state
0x81	enter pre-operational state
0x82	reset communication

Description of emergency message

When a fatal error occurs inside the device, an emergency message will be triggered, and the application device will send it to other devices with the highest priority. An emergency message consists of 8 bits.

table 10-22 Emergency message format

COB-ID	Byte 0-1	Byte2	Byte4-5	Byte6-7
Emergency message station number 0x101400	emergency error code 0x603F00	error register (0x100100)	error state 0x260100	error state 0x260200

Table 10-23 emergency error code 0x603F00

Alarm content	Emergency error code (Hex)	Alarm content	Emergency error code (Hex)
Communication encoder is not connected	0x7331	Current sensor failure	0x5210
Communication encoder multi-turn error	0x7320	Software watchdog reset	0x6010
Communication encoder check error	0x7330	abort	0x6011
Drive temperature is too high	0x4210	MCU failure	0x7400
Drive bus voltage too high	0x3210	Motor model configuration error	0x6320
Drive bus voltage too low	0x3220	Phase loss of motor power line	0x6321
Drive power section short circuit or motor short circuit	0x2320	Pre-enable alarm	0x5443
Current sampling saturation	0x2321	Positive limit error	0x5442
Abnormal braking resistor of drive	0x7110	Negative limit error	0x5441
The actual following error exceeds the allowable	0x8611	SPI failure	0x6012
low logic voltage	0x5112	bus communication error	0x8100
Motor or drive overloaded	0x2350	Bus communication timeout	0x81FF
Input pulse frequency is too high	0x8A80	Full closed loop check error	0x8A81
Motor temperature is too high	0x4310	Main encoder ABZ fault	0x7382
Communication encoder does not respond	0x7331	Main encoder count error	0x7306
EEPROM data error	0x6310		

Table 10-24 error register

Bit	error type
0	General error
1	current
2	Voltage
3	temperature
4	communication error
5	Device Profile Specific
6	Encoder
7	Reserve

10.3.3 CANopen Bus communication settings

This chapter will introduce the settings of CAN bus communication parameters. In the host computer software interface, click Drive->ECAN Configuration->Other to enter the parameter setting interface. When the master station with network management function is powered on, it will initialize the parameters of the slave station by sending SDO. In general, parameters such as synchronization ID, node protection time, node protection time coefficient, node protection station number, emergency message station number, and heartbeat message generation time do not need to be set by the user.

Table 10-25 CANopen communication parameters

LED panel display	Internal address	Parameter's name	description	Default value														
d5.00	2FF00108	Store control loop parameters	1: Stores all set parameters except the motor 10: Initialize all saveable parameters except motor	0														
d5.01	100B0008	Device Station No.	Drive station No. Note: To change this parameter, you need to use d5.00 to save and restart.	1														
d5.17	2F810008	CAN baud rate	CAN baud rate setting <table border="1"> <thead> <tr> <th>Value</th> <th>Baud rate</th> </tr> </thead> <tbody> <tr> <td>100</td> <td>1M</td> </tr> <tr> <td>50</td> <td>500k</td> </tr> <tr> <td>25</td> <td>250k</td> </tr> <tr> <td>12</td> <td>125k</td> </tr> <tr> <td>5</td> <td>50k</td> </tr> <tr> <td>1</td> <td>10k</td> </tr> </tbody> </table> Note: need to save and restart	Value	Baud rate	100	1M	50	500k	25	250k	12	125k	5	50k	1	10k	50
Value	Baud rate																	
100	1M																	
50	500k																	
25	250k																	
12	125k																	
5	50k																	
1	10k																	
	60070010	Communication interruption mode	CAN Communication interruption mode 0: do not handle 1: report an error	0														
	10050020	Sync ID	Synchronous message COB-ID, the transmission type is 1-240. It is valid in synchronous mode and does not need to be set in asynchronous mode.	80														
	100C0010	Node guard time	Through node guarding, the master station can monitor the current status of each node. The master station sends a remote frame to inquire about the node status with the node guard time as a period. The node needs to respond within the node guard time * node guard time coefficient, otherwise the master station Judging that the slave station is offline, when the communication interruption mode is 1, the drive alarms.	1000														
	100D0008	Node guard time factor		3														
	100E0020	Node guard ID	700+Divice station No.(0x100B00)	701														
	10140020	Emergency message station number	80+ Divice station No.(0x100B00)	81														
	10170010	Heartbeat message generation time	The slave station periodically sends a message to the master station based on the "heartbeat message generation time". If the master station does not receive the message within a certain period of time, it judges that the slave station is offline and the master station alarms. The heartbeat message generation time data will not be saved when power off. It is configured by the master station when it is powered on (unit: ms). It should be noted that the data format is DEC.	0														

LED panel display	Internal address	Parameter' s name	description	Default value
	10160120	Slave heartbeat message	Data length The first bit of the 4 bits is invalid data, the second bit is the station ID, and the last two bits represent the heartbeat message interval, in ms. If the value is 7F03E8, it means that the ID of the master station is 127, and the heartbeat message interval is 1000ms. The heartbeat message data of the slave station will not be saved when power off. It is configured by the master station when it is powered on. Note that the data format is HEX	7F0000

→ EDS file download:
<https://www.kinco.cn/download/sfqdqdj36.html>

10.3.4 Interpolation mode based on CANopen

The interpolation mode is suitable for single-axis operation control and multi-axis synchronous control. The master station performs the motion contour planning, and the target position is periodically updated in the synchronous mode. In the host computer software interface, click Drive->ECAN Configuration->Other to enter the interpolation mode parameter setting interface

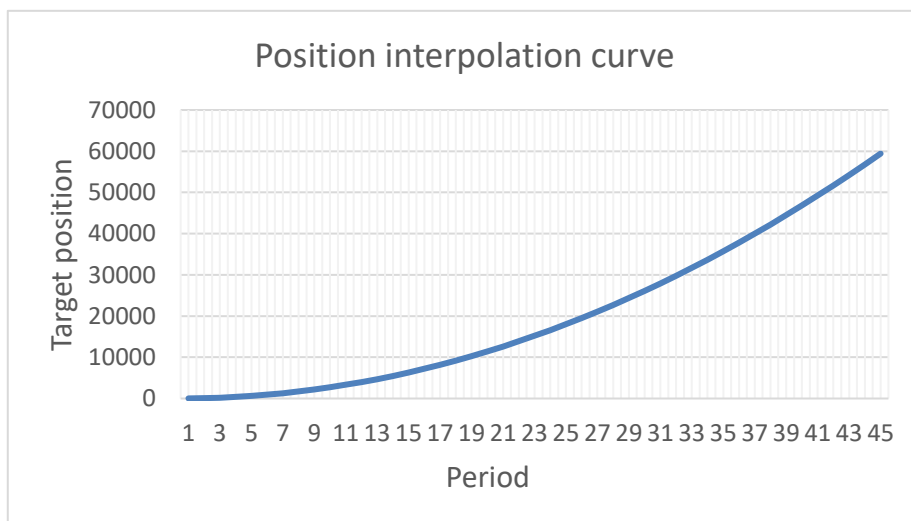


figure 10-8 Position interpolation curve

Table 10-26 Interpolation control related parameters

LED panel display	Internal address	Parameter name	Description	Value
	6060008	Operation mode	Set the operation mode to interpolation mode	7
	6040010	control word	0x1F Enable drive, run interpolation mode 0x06 Loose axis, close drive enable 0x86 Reset drive failure	1F 6 86
	607A0020	target location	target absolute/relative position	Users define
	30110108	ECAN sync period	In interpolation mode, it is set according to the synchronization message cycle of the master station value synchronization period 0 1ms 1 2ms 2 4ms 3 8ms	Users define
	30110208	ECAN Synchronous Clock Mode	Set to 1 in interpolation mode to enable clock synchronization, and set to 0 in non-interpolation mode to disable clock synchronization.	0
	30110410	ECAN Sync Loss Count	Monitor the synchronous communication status in interpolation mode, if the value keeps changing, it means that there is communication interference or the synchronization period is inconsistent with the master station setting	/

Appendix 1: Braking Resistor Selection

The energy generated by the servo motor in the braking state will be fed back to the DC bus of the drive. When the voltage of the DC bus exceeds the protection range, the drive will report a bus voltage high fault, and the excess energy needs to be absorbed by an external braking resistor. When using an external braking resistor, please set the braking resistor resistance value and braking resistor power correctly. The resistance value of the optional external braking resistor cannot be lower than the recommended resistance value.

Table 11-1 Recommended specification of braking resistor

Drive model	Power [W]	Braking resistor resistance [Ω]			reference model	Braking resistor power [W] (Ref.)	VDC (Min.)
		Min.	Max.	Ref.			
FD425-□A	200W	39	100	75	T-75R-100	100	500
	400W						
	750W						
FD425-□F	1000W	27	51	39	T-39R-200	200	500
FD435-□A	1500W						
	2000W						
FD625-□A	1500W	47	150	75	T-75R-100	200	500
	2000W						
	3000W						

Table 11-2 Parameters related to braking resistor

Address	Name	Unit	modbus address	Command type	Unit	Description
65100810	Chopping Voltage Point	Unsigned 16	0x6810	RW	V	Chopping voltage point of the driver, the default value of the driver powered by 220V is 380
60F70110	Braking resistor resistance	Unsigned 16	0x6010	RW	Ω	The resistance value and power of the external braking resistor can be input. The default value is 0, which means that the power and temperature detection of the external braking resistor is not enabled.
60F70210	Braking resistor power	Unsigned 16	0x6020	RW	W	
60F70310	Braking resistor time constant	Unsigned 16	0x6030	RW	S	External braking resistor time constant S=DEC*256/1000

Appendix II: List of Common Object Parameters



- **Attention**
- CANopen address and 232 communication address are the same
- Express register addressing in the form of Index (16-bit address) and Subindex (8-bit sub-address)
- The digit 0x08 indicates that the length of the data stored in this register is 1 Byte, the digit 0x10 indicates that the length of the data stored is 2 Bytes, and the digit 0x20 indicates that the length of the data stored is 4 Bytes
- R: readable, W: writable, S: savable, M: mappable;
- The complete CANopen address format is main index + sub index + data length, such as 60400010 (control word)
- The complete Modbus address format is a 4-digit hexadecimal number, such as 3100 (control word)

Mode and control (0x6040)

Name	CANopen	Modbus	Command properties	Type of data	Description
Control word	60400010	3100	RWM	Unsigned16	0x06: Motor power off 0x0F: Motor power on 0x0B: Quick stop, load stop - voltage disconnect 0x2F→3F: absolute positioning mode 0x4F→5F: relative positioning mode 0x103F: absolute positioning based on target position changes 0x0F→1F: Origin positioning 0X86: clear internal fault

Status word	60410010	3200	RM	Unsigned16	Status Bit shows the status of the drive bit0: ready to power on bit1: powered on bit2: enable bit3: fault bit4: Disable output voltage bit5: Quick stop bit6: Power-on prohibition bit7: warning bit8: reserved internally bit9: remote control bit10: target position to bit11: Internal limit activation bit12: Impulse response bit13: Following error/Origin error bit14: Find motor excitation bit15: Origin found
Operation mode	60600008	3500	RWM	Integer8	Operating mode: 1: Positioning mode with position loop 3: Speed mode with position loop 4: Torque Mode -3: Speed loop (immediate speed mode) -4: Pulse mode 6: Homing mode 7: Motion interpolation based on CANopen
Absolute/relative position control selection	20200F10	0CF0	RWS	Unsigned16	When the "drive enable" function is configured to Din, and the corresponding Din valid input is 1, the "control word" (6040.00) will be set to this value; 0x2F: Absolute position control 0x4F: Relative position control

Measurement data

Name	CANopen	Modbus	Commend type	Data type	Description
Actual position	60630020	3700	RM	Integer32	
Actual current	60780010	3E00	RM	Integer16	
Input port status	60FD0020	6D00	RM	Unsigned32	bit0: Negative limit signal status bit1: Positive limit signal status bit2: Origin signal status bit3: Hardware lock signal status
Actual velocity	606C0020	3B00	RM	Integer32	

Attention



0x606C0020, The unit conversion method is $DEC = [(RPM * 512 * \text{Encoder resolution}) / 1875]$

Target (0x607A)

Name	CANopen	modbus	Commend type	Data type	description
Velocity position direction control	607E0008	4700	RWS	Unsigned8	run polarity reversal 0: Counterclockwise is the positive direction 1: Clockwise is the positive direction
Target position	607A0020	4000	RWM	Integer32	The target position in position mode 1, if the control word is set to start motion, transitions to the valid command position inc
trapezoidal velocity	60810020	4A00	RWM	Unsigned32	Trapezoidal velocity (rpm) in operating mode 1
target speed	60FF0020	6F00	RWM	Integer32	Target speed in mode 3 and -3,
Max velocity limit	60800010	4900	RW	Unsigned16	Default 5000rpm
trapezoidal acceleration	60830020	4B00	RWSM	Unsigned32	Default: 610.352rps/s
Trapezoidal deceleration	60840020	4C00	RWSM	Unsigned32	Default: 610.352rps/s
target torque	60710010	3C00	RW	Integer16	Torque command in torque mode, the percentage of target torque to

					rated torque
Target current	60F60810	5880	RWM	Integer16	Current command in torque mode
Target current limit	60730010	3D00	RWSM	Unsigned16	The maximum value of the current command, the unit is Arms

**Attention**

Velocity address: 0x60810020, 0x60800020, 0x60FF0020

The unit conversion method is $DEC = [(rpm * 512 * \text{encoder resolution}) / 1875]$

Acceleration and deceleration address: 0x60830020, 0x60840020,

The unit conversion method is $DEC = [(rps/s * 65536 * \text{encoder resolution}) / 4000000]$

Current address: 0x60710010, 0x60730010

The unit conversion method is $1A_{rms} = [2048 / (I_{peak} / 1.414)]DEC$ Note: I_{peak} is peak current (6510.03)

Multi-segment position/multi-segment velocity (0x2020)

Name	CANopen	modbus	Commend type	Data type	Description
Multi-stage position control 0	20200120	0C10	RWS	Integer32	
Multi-stage position control 1	20200220	0C20	RWS	Integer32	
Multi-stage position control 2	20200320	0C30	RWS	Integer32	
Multi-stage position control 3	20200420	0C40	RWS	Integer32	
Multi-stage Position Control 4	20201020	0D00	RWS	Integer32	
Multi-stage Position Control 5	20201120	0D10	RWS	Integer32	
Multi-stage position control 6	20201220	0D20	RWS	Integer32	
Multi-stage position control 7	20201320	0D30	RWS	Integer32	
Multi-stage speed control 0	20200520	0C50	RWS	Integer32	
Multi-stage speed control 1	20200620	0C60	RWS	Integer32	
Multi-stage speed control 2	20200720	0C70	RWS	Integer32	
Multi-stage speed control 3	20200820	0C80	RWS	Integer32	
Multi-stage speed	20201420	0D40	RWS	Integer32	

control 4					
Multi-stage speed control 5	20201520	0D50	RWS	Integer32	
Multi-stage speed control 6	20201620	0D60	RWS	Integer32	
Multi-stage speed control 7	20201720	0D70	RWS	Integer32	

performance object (0x6065)

Name	Subindex	modbus	Comment type	Data type	Description
Max. following error	60650020	3800	RWSM	Unsigned32	Following error value alarm value Default 524288inc
target location window	60670020	3900	RWS	Unsigned32	"Target location reached" target range, Default 10inc
reach position time window	25080916	1990	RW	Unsigned16	Target (location, velocity) reach time window, Determine the reach position signal together with 0x60670020
Reach speed window	60F90A20	63A0	RWS	Integer32	The error window when the actual speed reaches the target speed or trapezoidal speed, and determines the reach speed signal together with 0x60F91C20
Zero speed output speed window	20101810	0980	RWS	Unsigned16	Error window when actual speed is 0
Zero speed output time	60F91410	6440	RWS	Unsigned16	Zero-speed output speed window 0x20101810 After reaching the set range, it takes a period of time to output the zero-speed signal, and the time is determined by the zero-speed output time
Positive setting of soft limit	607D0120	4410	RWS	Integer32	Positive comparison point for setting software limit, unit in inc
Soft limit negative setting	607D0220	4420	RWS	Integer20	Negative comparison point for setting software limit, unit in inc
Limit function definition	20101908	0990	RWS	Unsigned8	Used to set the action after the limit is reached 0: If there is a limit after finding the origin, it will alarm 1: do nothing

Homing control (0x6098)

Name	CANopen	Modbus	Command type	Data type	Description
Homing mode	60980008	4D00	RWSM	Integer8	Homing function Refer origin control chapter
Origin turning signal speed	60990120	5010	RWSM	Unsigned32	After touching the trigger event, the speed of homing process (rpm)
Origin signal speed	60990220	5020	RWSM		Speed when starting to find the origin
Homing acceleration	609A0020	5200	RWS	Unsigned32	Acceleration when homing process unit: rps/s
Origin offset	607C0020	4100	RWSM	Integer32	Offset value after homing unit: inc
Origin Offset Mode	60990508	5050	RWS	Unsigned8	Origin Offset Mode Control 0: run to the origin offset position, the actual position is displayed as 0 1: Run to the event trigger point, after the end the actual position will become: - Origin offset

Velocity loop parameters (0x60F9)

Name	CANopen	Modbus	Command type	Data type	Description
Kvp	60F90110	6310	RW	Unsigned16	The larger the value, the stronger the gain, but it may cause the motor howling
Kvi	60F90210	6320	RW	Unsigned16	The larger the value, the stronger the gain, but it may cause the motor howling
Kvi/32	60F90710	6370	RW SL	Unsigned16	Kvi' s 1/32

Output filter	60F90508	6350	RW	Unsigned8	velocity output filter of velocity loop $BW = \text{Speed_Fb_N} * 20 + 100$ [Hz]
---------------	----------	------	----	-----------	--

Position loop (0x60FB)

名称	CANopen	modbus	命令类型	数据类型	详细解释
kpp 0	60FB0110	6810	RWS	Unsigned16	Scale value of the position loop
kvff	60FB0210	6820	RWS	Unsigned16	Position loop speed feedforward
kaff	60FB0310	6830	RWS	Unsigned16	Acceleration feedforward for position loop
Smoothing filter	60FB0510	6850	RWS	Unsigned16	Modify in the disabled state
Actual position save enable	60FB0608		RWS	Unsigned8	Used to control whether to save the actual position when the logic power is lost 0: Not save 1: The actual position is saved after power-off 2: When the communication type single-turn absolute encoder motor is used, the actual position will display the single-turn absolute position when the drive is powered on.

Input/output port parameter (0x2010)

Name	CANopen	modbus	Commend type	Data type	Description
Digital input 1	20100310	0830	RWS	Unsigned16	Refer to the function definition below
Digital input 2	20100410	0840	RWS	Unsigned16	
Digital input 3	20100510	0850	RWS	Unsigned16	
Digital input 4	20100610	0860	RWS	Unsigned16	
Digital output 1	20100F10	08F0	RWS	Unsigned16	
Digital output 2	20101010	0900	RWS	Unsigned16	
input port status	20100A10	08A0	RM	Unsigned16	bit0: Din1 bit1: Din2 bit2: Din3 bit3: Din4
output port status	20101410	0940	RM	Unsigned16	bit0: Dout1 bit1: Dout2
Change the input signal polarity definition	20100110	0810	RWS	Unsigned16	0: Turn off; 1: Turn on bit0: Din1 bit1: Din2 bit2: Din3 bit3: Din4 bit4: Din5 bit5: Din6 bit6: Din7 bit7: Din8 Default 0xFF
Polarity definition of output port	20100D10	08D0	RWSM	Unsigned16	Polarity definition of output port
Input port signal simulation	20100210	0820	RW	Unsigned16	bit0: Din1 bit1: Din2 bit2: Din3 bit3: Din4 bit4: Din5 bit5: Din6 bit6: Din7 bit7: Din8

Output port signal simulation	20100E10	08E0	RWM	Unsigned16	bit0: Dout1 bit1: Dout2 bit2: Dout3 bit3: Dout4 bit4: Dout5
-------------------------------	----------	------	-----	------------	---



Attention

Definition of digital input function (hexadecimal)	Output port definition (hexadecimal)
0001: Drive enable	0001: Drive ready
0002: Drive error reset	0002: drive error
0004: Drive working mode control	0004: Motor position to
0008: Speed loop kvp control	0008: Motor zero speed
0010: Positive limit	0010: Motor holding brake
0020: Negative limit	0020: Motor speed to
0040: origin signal	0040: Index signal appears
0080: Speed command reverse	0080: Maximum speed limit reached in torque mode
0100: Din speed index 0	0100: Motor lock shaft
0200: Din speed index 1	0200: In limit
0400: Din position index 0	0400: Origin found
0800: Din position index 1	0800: Maximum current limit reached
1000: Emergency stop	1000: Multi-function signal 0
2000: Start to find the origin	2000: Multifunction Signal 1
4000: Command activated	4000: Multifunction Signal 2
8001: Din speed index 2	9001: Position table running
8002: Din position index 2	
8004: Multi-function input signal 0 (for setting multi-stage electronic gear ratio)	
8008: Multi-function input signal 1	
8010: Multi-function input signal 2	
8020: Gain switching input signal 0	
8040: Gain switching input signal 1	
8080: Maximum current toggle input switch	
8100: Motor failure	
8200: Pre-enable (The IO port must have an enable signal, otherwise it will alarm, which is used in some occasions where the machine needs to be determined before running the machine)	
8400: Quick Capture 1	
8800: Quick Capture 2	
9001: Location table condition 0	
9002: Location table condition 1	
9004: Activate location table	
9008: Location table index 0	
9010: Location table index 1	
9020: Location table index 2	
9040: Termination position table	

Pulse input parameters (0x2508)

Name	CANopen	modbus	Comment type	Data type	Description
Electronic gear molecule 0	25080110	0x1910	RWSM	Integer16	Electronic gear molecule 0
Electronic gear denominator 0	25080210	0x1920	RWSM	Unsigned16	Electronic gear denominator 0
Pulse mode control	25080310	0x1930	RWSB	Integer16	0: Double pulse mode 1: Pulse direction mode 2: Incremental encoder mode 10:422 Double pulse mode 11: 422 pulse direction mode 12: 422 Incremental encoder mode
Number of input pulses before electronic gear	25080410	0x1940	RWM	Integer16	Number of input pulses before electronic gear
Number of input pulses after electronic gear	25080510	0x1950	RW	Integer16	Number of input pulses after electronic gear
Pulse filter parameters	25080610	0x1960	RWS	Unsigned16	Pulse filter parameters
Pulse frequency before gear	25080C10	0x19C0	RM	Integer16	Pulse frequency before gear (pulse/mS)
Pulse frequency after gear	25080D10	0x19D0	RW	Integer16	Pulse frequency after gear (pulse/mS)

parameters for storage (0x2FF0)

Name	CANopen	modbus	Comment type	Data type	Description
Storage control parameters	2FF00108	2910	RW	Unsigned8	1: Store all configuration parameters set 10: Initialize all configuration parameters

					Note: The control loop parameters are stored, excluding motor parameters.
Store motor parameters set	2FF00308	2930	RW	Unsigned8	1: Store all motor parameters set

Error code (0x2601)

Name	CANopen	modbus	Commend type	Data type	Description
Error word	26010010	1F00	RM	Unsigned16	Real-time alarm error status bit0: Internal error alarm bit 1: Encoder ABZ connection alarm bit 2: Encoder UVW connection alarm bit 3: Encoder count alarm bit 4: Driver high temperature alarm bit 5: Driver high voltage alarm bit 6: Driver low voltage alarm bit 7: Driver overcurrent alarm bit 8: Absorption resistance alarm bit 9: Alarm for excessive position error bit 10: Logic Low Voltage Alarm bit 11: Motor or drive iit alarm bit 12: Pulse frequency too high alarm bit 13: Motor high temperature alarm bit 14: Motor excitation alarm bit 15: Memory Alarm

Stop mode

Name	CANopen	modbus	Command type	Data type	Description
Quick stop mode	605A0010	3400	RWS	Integer16	Encountered limit switch, emergency stop switch, or control word is 0x000B 0: Uncontrolled stop 1: Curve stop 2: Quick stop deceleration stop 5: The curve stops, and finally stops in the fast stop state 6: Quick stop decelerates to stop, and finally stops in quick stop state
Shutdown mode	605B0010	3410	RWS	Integer16	Shutdown mode (drive enable canceled) 0: Uncontrolled stop 1: Curve stop 2: Quick stop deceleration stop
Disable stop mode	605C0010	3420	RWS	Integer16	0: Uncontrolled stop 1: Curve stop 2: Quick stop deceleration stop
Pause mode	605D0010	3430	RWS	Integer16	Control word bit8 is set to 1 Pause the motor and keep it enable 1: Decelerate and stop at the current deceleration 2: Quick stop deceleration stop
Error stop mode	605E0010	3440	RWS	Integer16	When the drive alarms 0: stop immediately 1: Decelerate to stop 2: Stop with quick stop deceleration
Trapezoidal deceleration	60840020	4C00	RWSM	Unsigned32	Deceleration in operating modes 1 and 3
Quick stop deceleration	60850020	3300	RWS	Unsigned32	Emergency stop deceleration

Other parameter

Name	CANopen	modbus	Commend type	Data type	Description
Use internal motor library	30410608	-	RWS	Unsigned8	0: Automatically read the motor model from the encoder and use the corresponding motor parameters in the drive motor library (factory default) 1: Support the user to manually input the motor model and use the motor parameters corresponding to the motor library in the driver
Device restart	2FFF0010	2F00	RW	Unsigned16	Turn on bootloader 55AA: turn on bootloader AA55: Drive restart
Analog Increment	64101F10	-	RW	Integer16	It is used to set the resolution of the communication magnetoelectric encoder to the incremental encoder resolution, the settable values are 4000, 8000 and 10000 =0: Do not simulate incremental encoder, use default motor resolution >0: Resolution of the simulated incremental encoder

