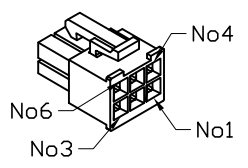
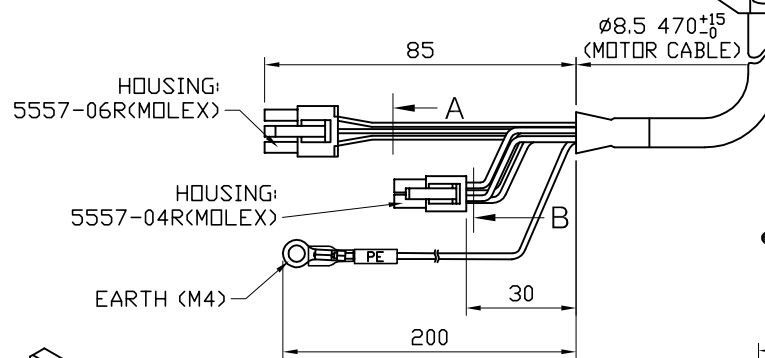
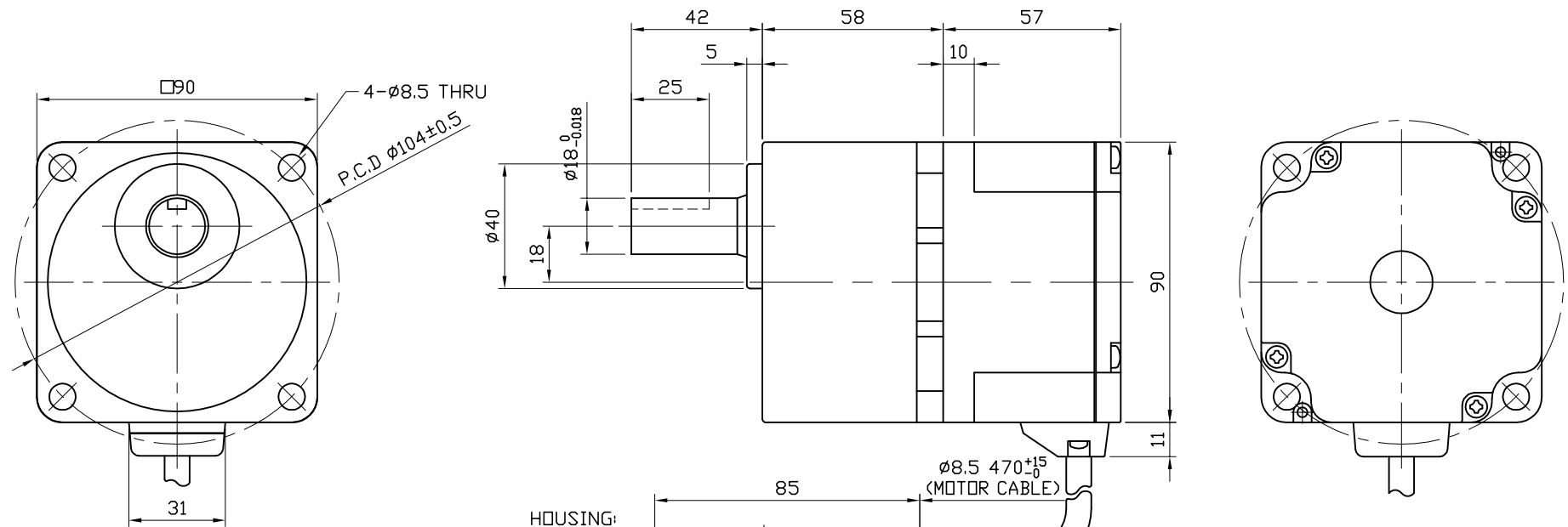
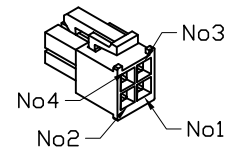


ESM-90-H-120+ESG-90-H-R30-P

NO.	COUNT	REVISIONS	DATE (YY/MM/DD)	APPROVED
△	x		' / /	
△	x		' / /	



VIEW "A"



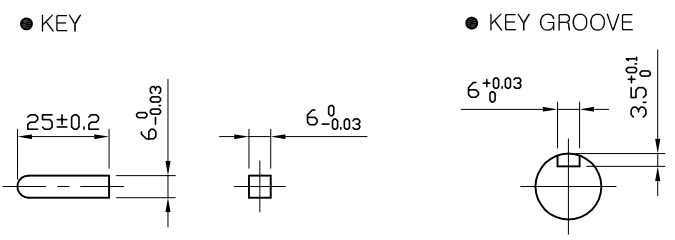
VIEW "B"

- PIN MAP (MOLEX 5557-06R)

PIN NO.	COLOR	WIRE SPEC	SIGNAL
1	YELLOW	UL3266 AWG24	Vcc
2	BLACK	(DRAIN)	-
3	GREEN	UL3266 AWG24	Ground
4	BROWN	UL3266 AWG24	Hu
5	WHITE	UL3266 AWG24	Hv
6	ORANGE	UL3266 AWG24	Hw

- PIN MAP (MOLEX 5557-04R)

PIN NO.	COLOR	WIRE SPEC	SIGNAL
1	-	-	-
2	BLUE	UL3266 AWG22	U
3	GRAY	UL3266 AWG22	W
4	PURPLE	UL3266 AWG22	V



NOTE
1. 감속비 30, 50, 100 외형 같음.

UNLESS OTHERWISE SPECIFIED, DIMENSIONS ARE IN MILLIMETERS AND TOLERANCES ARE AS FOLLOWS:		SIZE	SCALE	QUANTITY	MATERIAL	REMARK
		A4	1/2	1		
		DRAW		DATE (YY/MM/DD)	TITLE	SHEET
Mechatronics Division		Kim. Y. C.		'17/06/09	Ezi-SPEED	1 OF 1
APPROVED		Kim. Y. C.		'17/06/09	MODEL	ESM-90-H-120+ESG-90-H-R30-P
		DATE (YY/MM/DD)		DRAWING NO.		P91-MO-090-03
		/ /				