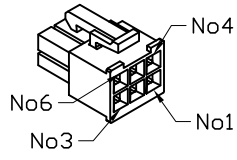
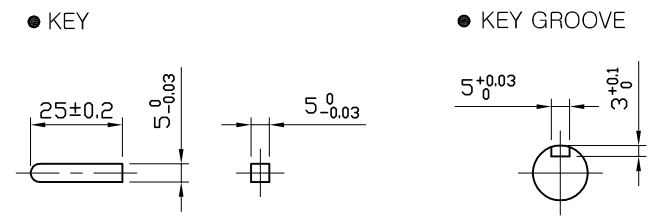
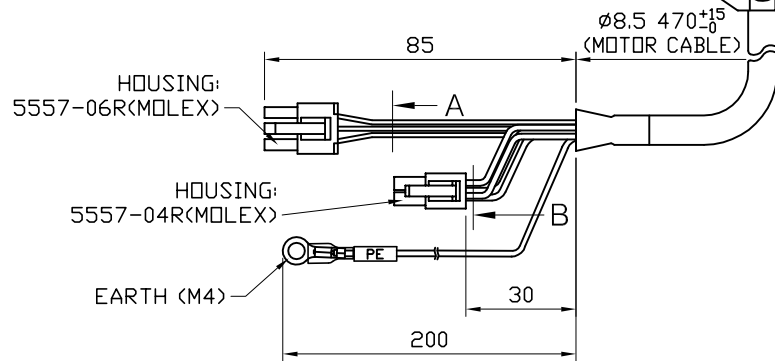
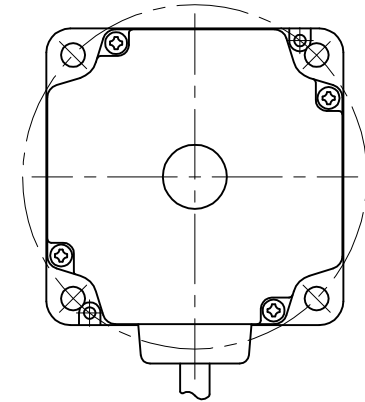
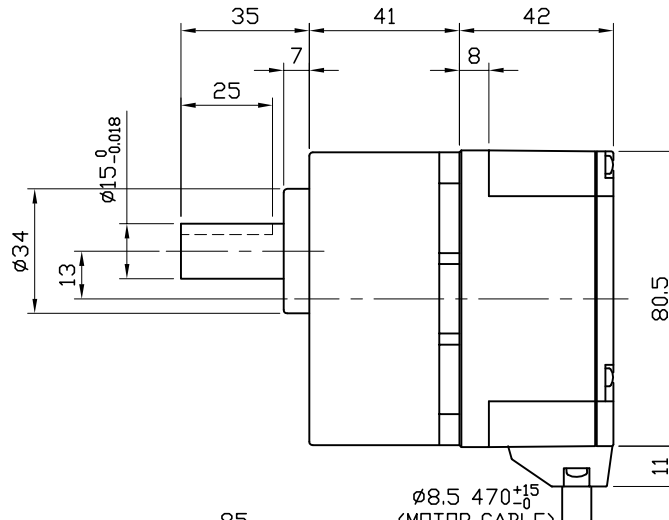
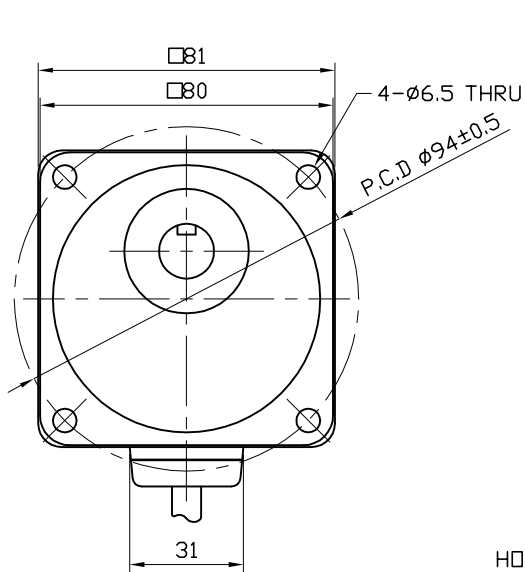
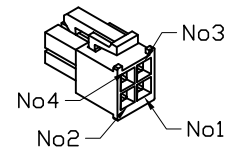


# ESM-80-H-60+ESG-80-H-R5-P

NO.	COUNT	REVISIONS	DATE (YY/MM/DD)	APPROVED
△	x		' / /	
△	x		' / /	



VIEW "A"



VIEW "B"

**NOTE**

1. 감속비 5, 10, 15, 20 외형 같음.

- PIN MAP (MOLEX 5557-06R)

PIN NO.	COLOR	WIRE SPEC	SIGNAL
1	YELLOW	UL3266 AWG24	Vcc
2	BLACK	(DRAIN)	-
3	GREEN	UL3266 AWG24	Ground
4	BROWN	UL3266 AWG24	Hu
5	WHITE	UL3266 AWG24	Hv
6	ORANGE	UL3266 AWG24	Hw

- PIN MAP (MOLEX 5557-04R)

PIN NO.	COLOR	WIRE SPEC	SIGNAL
1	-	-	-
2	BLUE	UL3266 AWG22	U
3	GRAY	UL3266 AWG22	W
4	PURPLE	UL3266 AWG22	V

UNLESS OTHERWISE SPECIFIED, DIMENSIONS ARE IN MILLIMETERS AND TOLERANCES ARE AS FOLLOWS:		SIZE	SCALE	QUANTITY	MATERIAL	REMARK
<p>Mechatronics Division</p> <p><b>FASTECH</b></p>		A4	1/2	1		
		DRAW	Kim. Y. C.	DATE (YY/MM/DD)	TITLE	SHEET
		CHECK	Kim. Y. C.	'17/06/09	Ezi-SPEED	1 of 1
		APPROVED		'17/06/09	MODEL	
				DATE (YY/MM/DD)	DRAWING NO.	
				/ /	P91-M0-080-02	