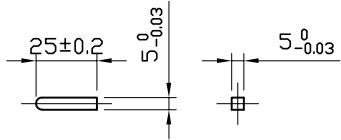


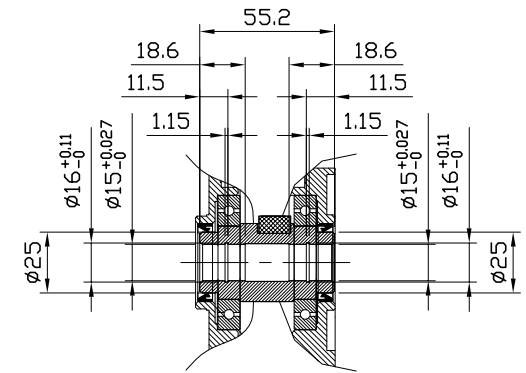
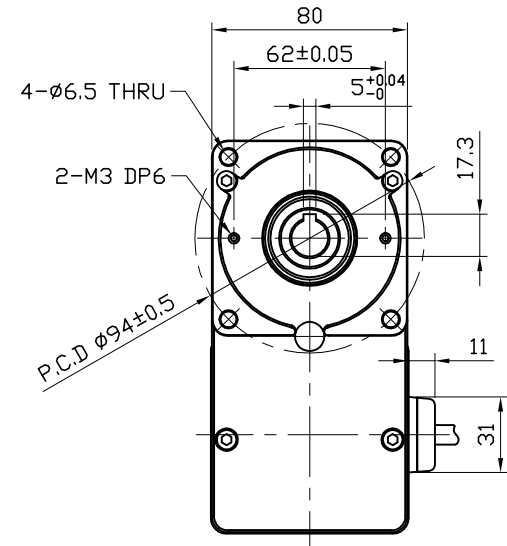
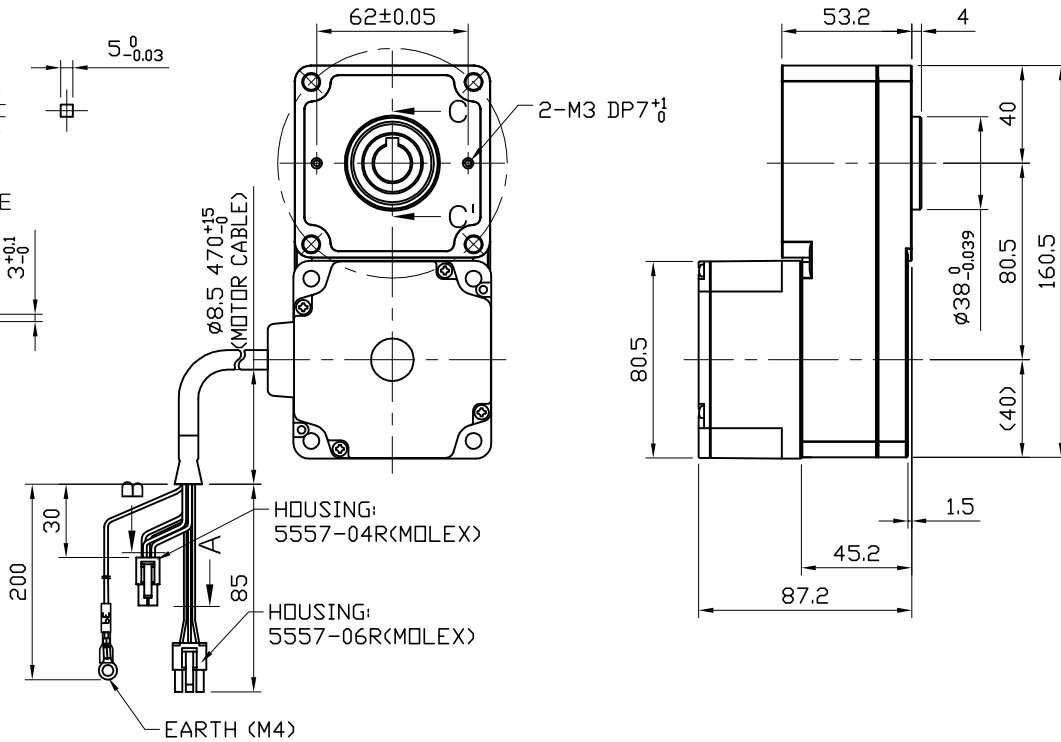
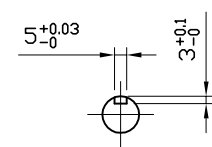
ESM-80-H-60+ESG-80-H-R5-H

NO.	COUNT	REVISIONS	DATE (YY/MM/DD)	APPROVED
△	x		' / /	
△	x		' / /	

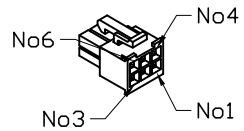
● KEY



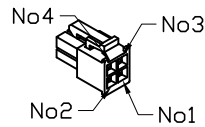
● KEY GROOVE



SECTION C-C'



VIEW "A"



VIEW "B"

- PIN MAP (MOLEX 5557-06R)

PIN NO.	COLOR	WIRE SPEC	SIGNAL
1	YELLOW	UL3266 AWG24	Vcc
2	BLACK	(DRAIN)	-
3	GREEN	UL3266 AWG24	Ground
4	BROWN	UL3266 AWG24	Hu
5	WHITE	UL3266 AWG24	Hv
6	ORANGE	UL3266 AWG24	Hw

- PIN MAP (MOLEX 5557-04R)

PIN NO.	COLOR	WIRE SPEC	SIGNAL
1	-	-	-
2	BLUE	UL3266 AWG22	U
3	GRAY	UL3266 AWG22	W
4	PURPLE	UL3266 AWG22	V

NOTE

1. 감속비 10, 15, 20, 30, 50, 100, 200 외형 같음.

UNLESS OTHERWISE SPECIFIED, DIMENSIONS ARE IN MILLIMETERS AND TOLERANCES ARE AS FOLLOWS:		SIZE	SCALE	QUANTITY	MATERIAL	REMARK
		A4	1/3	1		
		DRAW		DATE (YY/MM/DD)	TITLE	SHEET
		Kim. Y. C.		'17/07/04	Ezi-SPEED	1 OF 1
		CHECK		DATE (YY/MM/DD)	MODEL	
		Kim. Y. C.		'17/07/04	ESM-80-H-60+ESG-80-H-R5-H	
		APPROVED		DATE (YY/MM/DD)	DRAWING NO.	
				/ /	P91-MO-080-05	