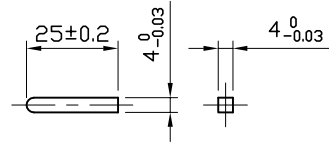


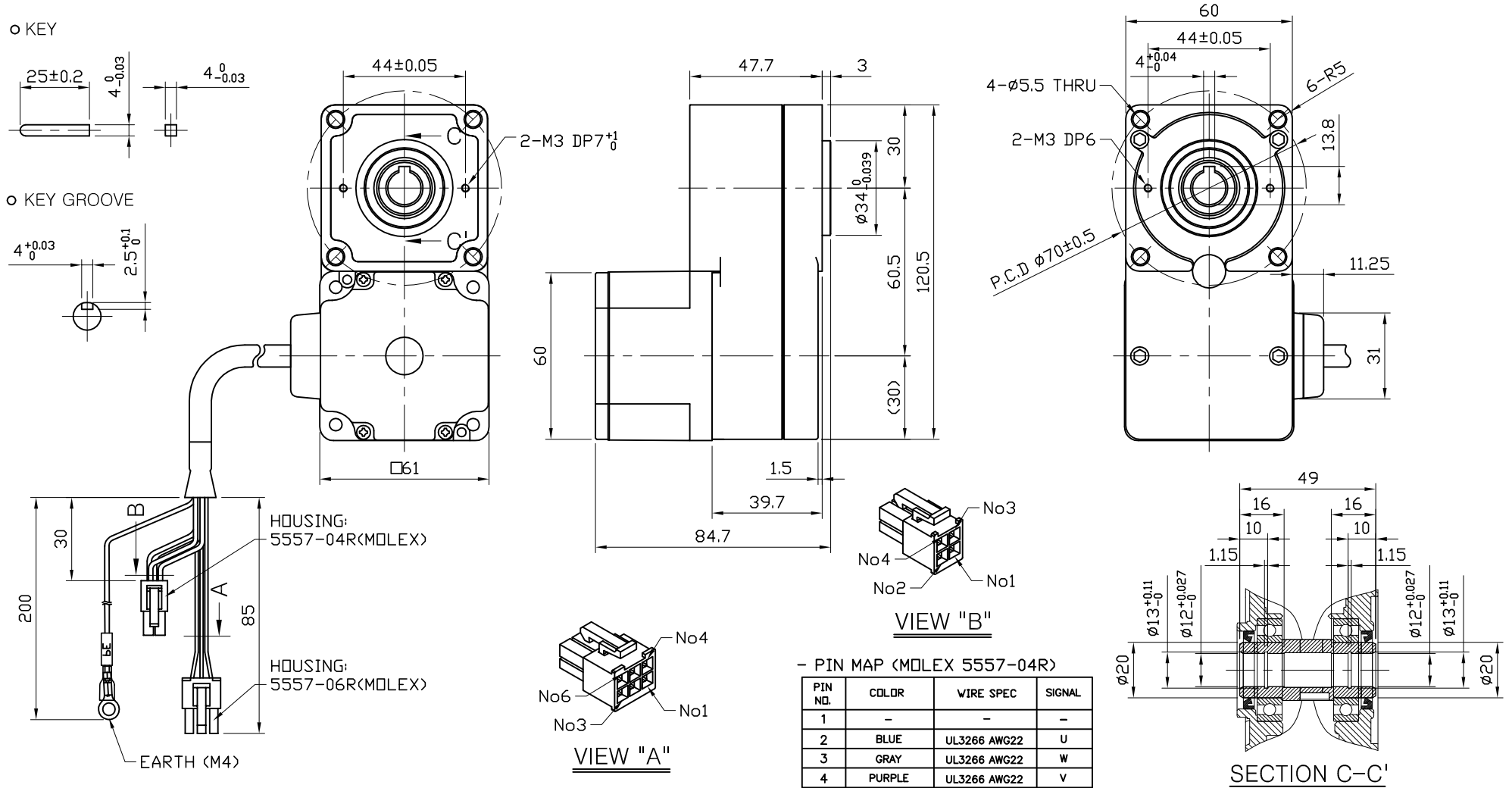
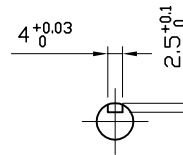
ESM-60-H-30+ESG-60-H-R5-H

NO.	COUNT	REVISIONS	DATE (YY/MM/DD)	APPROVED
△	x		' / /	
△	x		' / /	

○ KEY



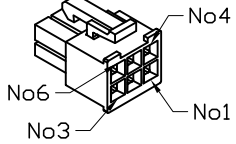
○ KEY GROOVE



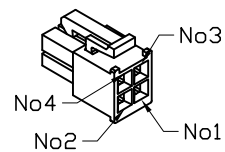
HOUSING:
5557-04R(MOLEX)

HOUSING:
5557-06R(MOLEX)

EARTH (M4)



VIEW "A"



VIEW "B"

- PIN MAP (MOLEX 5557-04R)

PIN NO.	COLOR	WIRE SPEC	SIGNAL
1	-	-	-
2	BLUE	UL3266 AWG22	U
3	GRAY	UL3266 AWG22	W
4	PURPLE	UL3266 AWG22	V

- PIN MAP (MOLEX 5557-06R)

PIN NO.	COLOR	WIRE SPEC	SIGNAL
1	YELLOW	UL3266 AWG24	Vcc
2	BLACK	(DRAIN)	-
3	GREEN	UL3266 AWG24	Ground
4	BROWN	UL3266 AWG24	Hu
5	WHITE	UL3266 AWG24	Hv
6	ORANGE	UL3266 AWG24	Hw

NOTE

1. 감속비 10, 15, 20, 30, 50, 100, 200 외형 같음.

UNLESS OTHERWISE SPECIFIED, DIMENSIONS ARE IN MILLIMETERS AND TOLERANCES ARE AS FOLLOWS:		SIZE	SCALE	QUANTITY	MATERIAL	REMARK
		A4	1/2	1		
		DRAW		DATE (YY/MM/DD)	TITLE	SHEET
		Kim. Y. C.		'17/06/09	Ezi-SPEED	1 of 1
CHECK		DATE (YY/MM/DD)	MODEL			
Kim. Y. C.		'17/06/09	ESM-60-H-30+ESG-60-H-R5-H			
APPROVED		DATE (YY/MM/DD)	DRAWING NO.			
		/ /	P91-M0-060-05			

