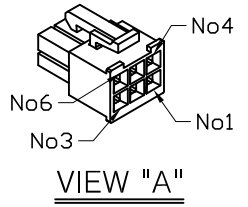
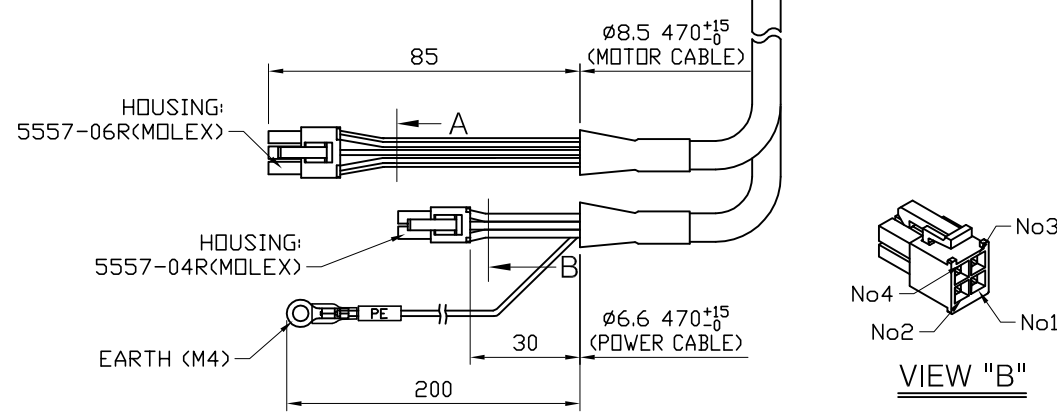
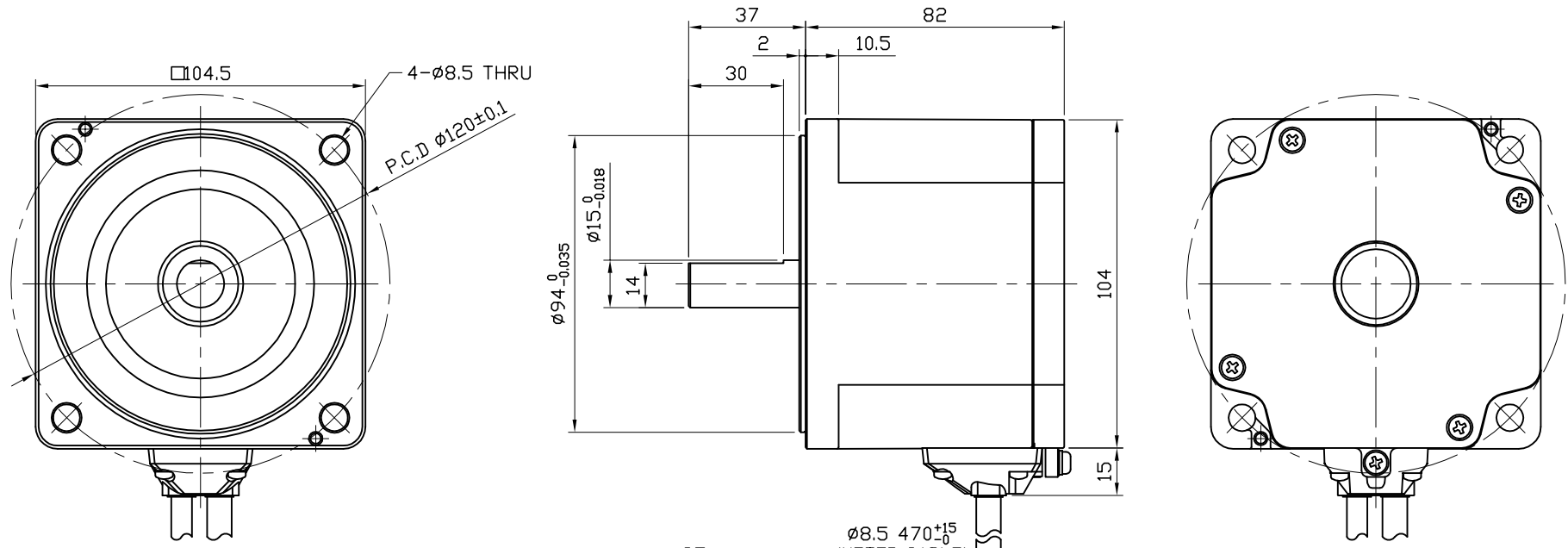
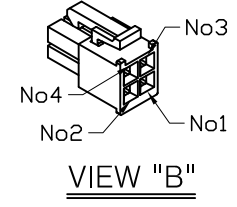


ESM-104-S-200

NO.	COUNT	REVISIONS	DATE (YY/MM/DD)	APPROVED
△	x		' / /	
△	x		' / /	



VIEW "A"



VIEW "B"

- PIN MAP (MOLEX 5557-04R)

PIN NO.	COLOR	WIRE SPEC	SIGNAL
1	-	-	-
2	BLUE	UL3266 AWG22	U
3	GRAY	UL3266 AWG22	W
4	PURPLE	UL3266 AWG22	V

- PIN MAP (MOLEX 5557-06R)

PIN NO.	COLOR	WIRE SPEC	SIGNAL
1	YELLOW	UL3266 AWG24	Vcc
2	BLACK	(DRAIN)	-
3	GREEN	UL3266 AWG24	Ground
4	BROWN	UL3266 AWG24	Hu
5	WHITE	UL3266 AWG24	Hv
6	ORANGE	UL3266 AWG24	Hw

NOTE
1. 400W와 외형도 같음.

UNLESS OTHERWISE SPECIFIED, DIMENSIONS ARE IN MILLIMETERS AND TOLERANCES ARE AS FOLLOWS:

SIZE	A4	SCALE	1/2	QUANTITY	1	MATERIAL		REMARK	
DRAW	Kim. Y. C.		DATE (YY/MM/DD)	'17/06/09	TITLE	Ezi-SPEED		SHEET	1 OF 1
CHECK	Kim. Y. C.		DATE (YY/MM/DD)	'17/06/09	MODEL	ESM-104-S-200			
APPROVED			DATE (YY/MM/DD)	/ /	DRAWING NO.	P91-M0-104-01			

Mechatronics Division

FASTECH