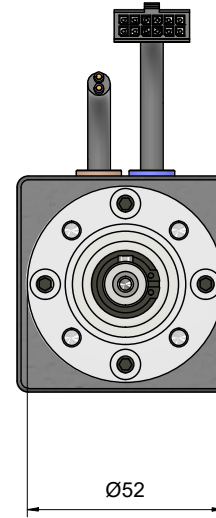
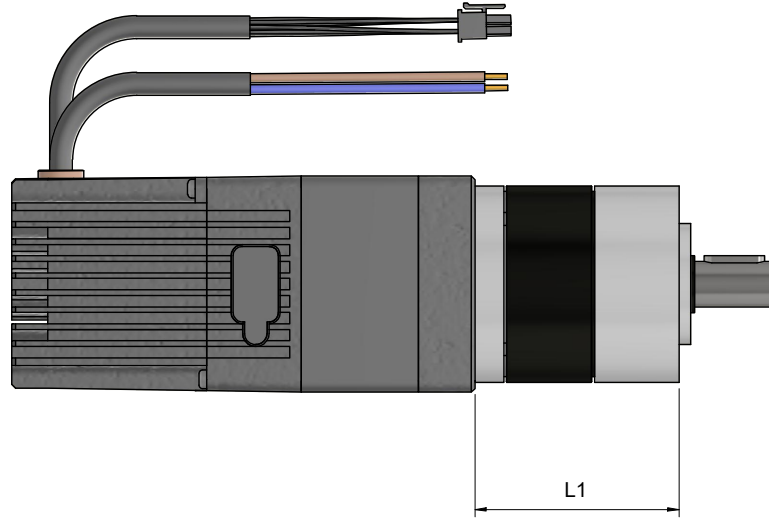
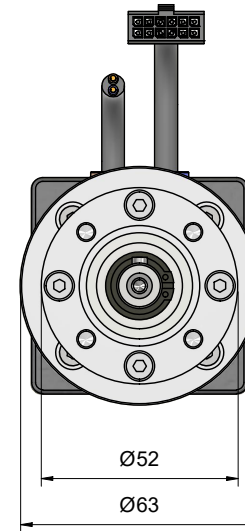
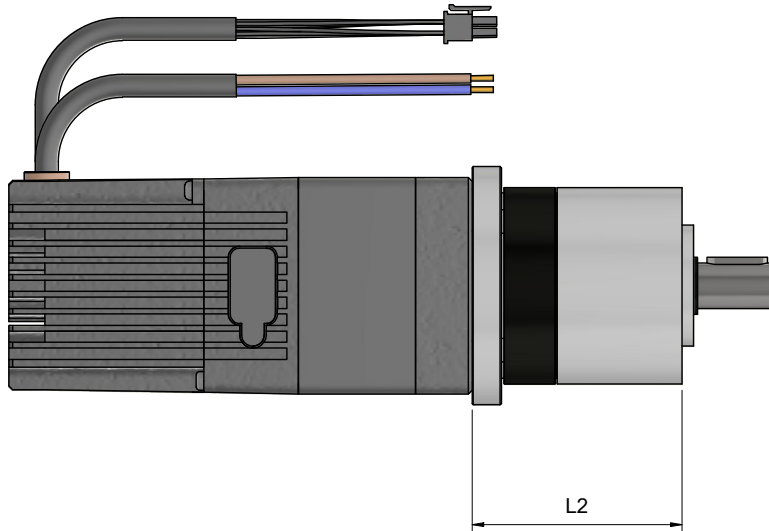



P52 (old)



Reduction dimensions		
	L1 - P52 (old)	L2 - PM52 (new)
1 stage	55,15	55,3
2 stage	69,25	69,6
3 stage	83,35	83,75

PM52 (new)



Article nr. : -		Checked by : RT	
Description : SMi/TNi + P52 vs PM52		Approved : RN	
 Zilvertron mechanics & electronics	Zilvertron B.V. De Smaragd 15 2872 ZT Schoonhoven The Netherlands T: +31(0)182-305045 E: info@zilvertron.com W: www.zilvertron.com		Date. : 24-8-2022 Rev. : 0 Unless otherwise specified: Dimensions in millimeters Tolerances: ISO 2769-m Debur and break edges
	Drawn : MDV	A4	Scale : 1 : 2

Rev Nr.	Revision Note	By	Date	Checked by
00				

All rights reserved to Zilvertron B.V.