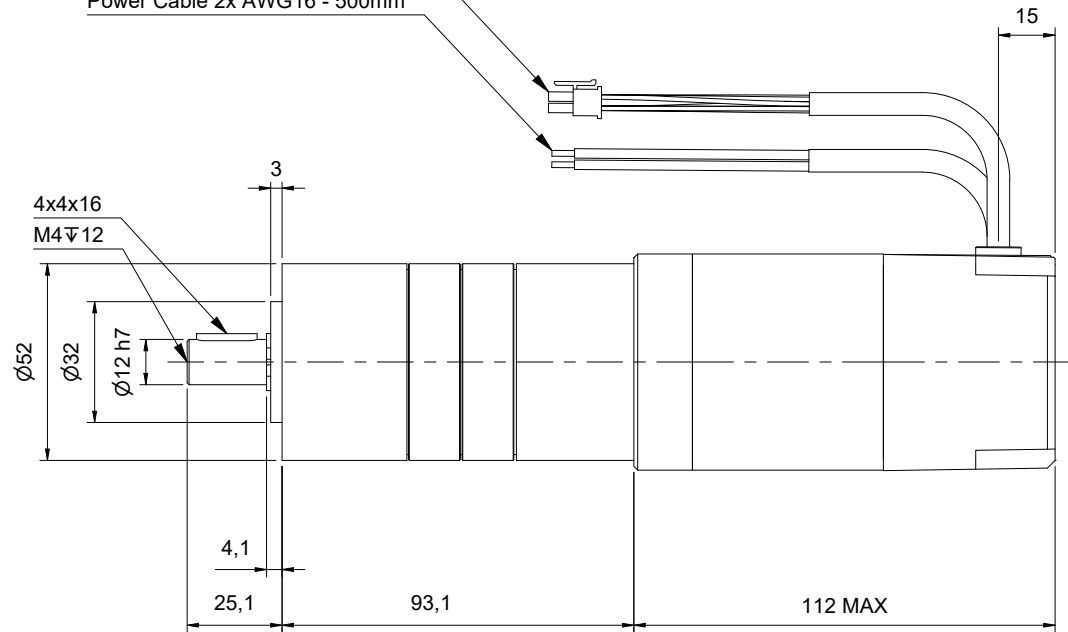


Command Cable 8x AWG24 - 500mm

Power Cable 2x AWG16 - 500mm



Article nr. : -		Checked by : RN	
Description : 80180-80280-TNi21 + PM52LN-2-LF		Approved :	
Zilvertron mechanics & electronics		Date. : 22-2-2021	Unless otherwise specified: Dimensions in millimeters Tolerances: ISO 2769-m Debur and break edges
		Rev. : 0	
Drawn : MDV	A4	Scale : 1 : 2	

Rev Nr.	Revision Note	By	Date	Checked by
00				

All rights reserved to Zilvertron B.V.