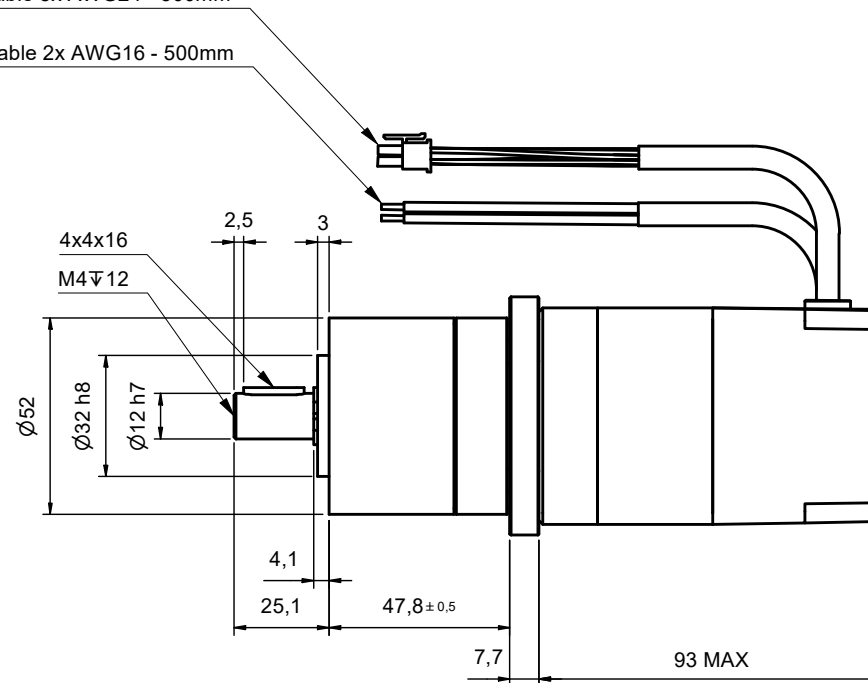
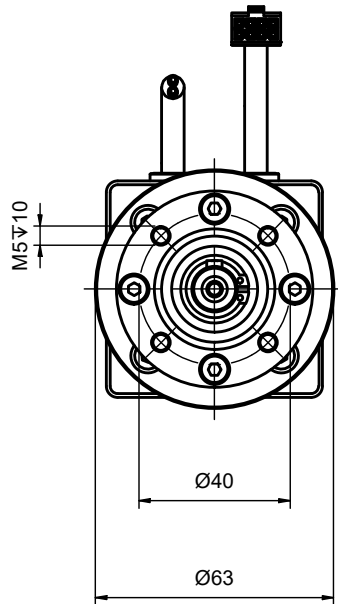



Command Cable 8x AWG24 - 500mm

Power Cable 2x AWG16 - 500mm



Article nr. : -		Checked by : RN	
Description : 80140-TNi21 + PM52-1-SF		Approved : MvdH	
 <b>Zilvertron</b> mechanics & electronics	Zilvertron B.V. De Smaragd 15 2872 ZT Schoonhoven The Netherlands T: +31(0)182-305045 E: info@zilvertron.com W: www.zilvertron.com		Date. : 25-5-2022 Rev. : 0 Unless otherwise specified: Dimensions in millimeters Tolerances: ISO 2769-m Debur and break edges
	Drawn : MDV	A4	Scale : 1 : 2

Rev Nr.	Revision Note	By	Date	Checked by
00				

All rights reserved to Zilvertron B.V.