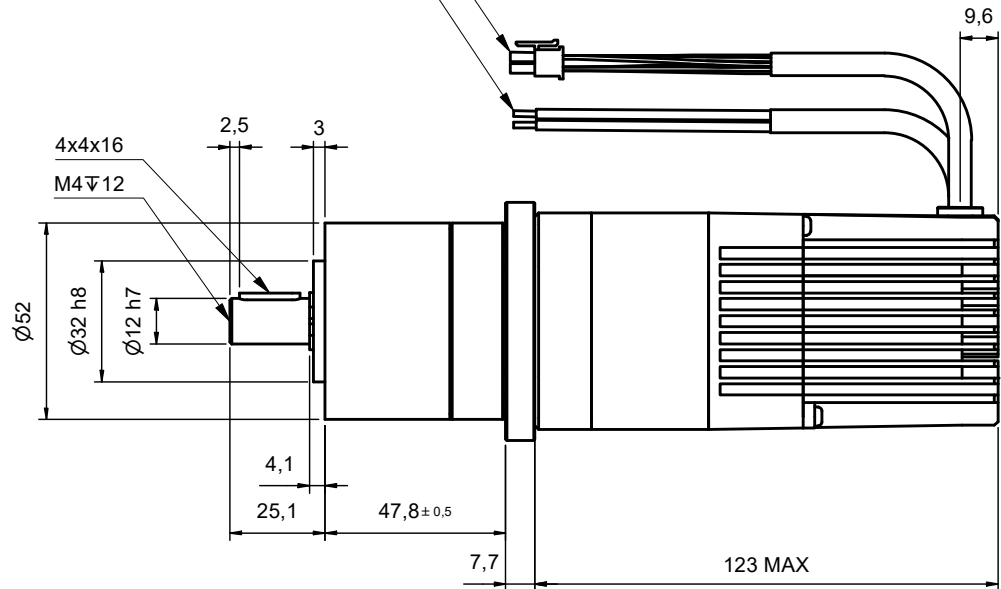


Command cable 12x AWG26 / 500mm

Power cable 2x AWG16 / 500mm



Article nr. : - Checked by : RN

Description : 80140-SMi21 + PM52-1-SF Approved : MvdH

**Zilvertron**  
mechanics & electronics

Zilvertron B.V.  
De Smaragd 15  
2872 ZT Schoonhoven  
The Netherlands  
T: +31(0)182-305045  
E: info@zilvertron.com  
W: www.zilvertron.com

Date. : 25-5-2022  
Rev. : 0  
Drawn : MDV

Unless otherwise specified:  
Dimensions in millimeters  
Tolerances: ISO 2769-m  
Debur and break edges

A4 Scale : 1 : 2

Rev Nr.	Revision Note	By	Date	Checked by
00				