

# DCmind: DC direct-drive brush motors

→ Ø 42 mm - 20 W

- Silent motor
- 12 V and 24 V built in EMC filter class B
- Excellent efficiency
- Long life
- IP65
- In accordance with UL - CE - ROHS regulations



## Part numbers

	12 V	24 V	48 V
Type	89810	89810	89810
Voltage	12 V $\overline{=}$	24 V $\overline{=}$	48 V $\overline{=}$
<b>References</b>			
Option: IP65 level	<b>89810007</b>	<b>89810008</b>	<b>89810003</b>
Option: holding brake 0.25 Nm, 24 V $\overline{=}$	<b>89810507</b>	<b>89810508</b>	<b>89810503</b>
Option: 2 channels encoder 1000 pulses/revolution, 5 V $\overline{=}$	<b>89810907</b>	<b>89810908</b>	<b>89810903</b>
<b>No-load characteristics</b>			
Speed (rpm)	4200	4000	4100
Absorbed current (A)	0.26	0.11	0.07
<b>Nominal characteristics</b>			
Speed (rpm)	2900	2920	2980
Torque (mNm)	50	50	50
Output power (W)	15	15	16
Absorbed current (A)	2.1	1	0.53
Efficiency (%)	60	64	61
<b>Maximum efficiency characteristics</b>			
Speed (rpm)	3500	3300	3400
Torque (mNm)	27	30	31
Output power (W)	10	10	11
Absorbed current (A)	1.26	0.6	0.35
Efficiency (%)	65	72	65
<b>General characteristics</b>			
Insulation conforming to IEC60085	Class E	Class E	Class E
Noise level (dBA)	35	35	35
Max. output power (W)	17	20	19
Starting torque (mNm)	158	190	180
Starting current (A)	6.1	3.3	1.7
Resistance ( $\Omega$ )	2	7.3	28
Inductance (mH)	1.3	6	22
Torque constant (mNm/A)	27	56	109
Electrical time constant (ms)	0.7	0.8	0.8
Mechanical time constant (ms)	20	17	18
Inertia (g.cm <sup>2</sup> )	75	75	75
Weight (g)	340	340	340
Commutator segments	8	8	8
Service life (h)	4000	4000	4000
Wires length (mm)	200	200	200
Ball bearing	✓	✓	✓
<b>Comments</b>			
IP65 level except for the output shaft. Encoder and brake options are IP20.			

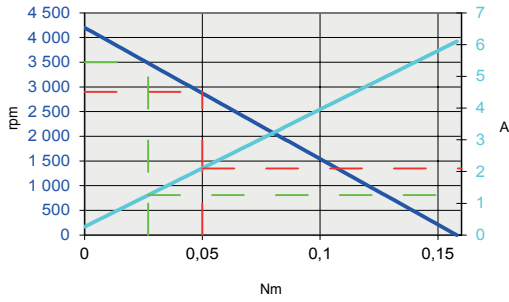
## Product adaptations, contact us



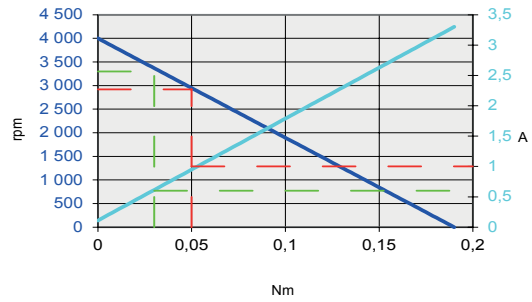
- Special output shaft
- Shaft with pinion, pulley, worm gear
- Special supply voltage
- Other wire length
- Optical or Hall effect encoder - 1 or 2 channels
- Specific motor mounting flange
- Special motor connectors
- IP67, IP69K

## Curves

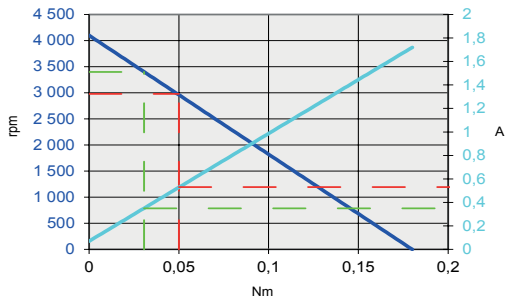
89810007 - 89810507 - 89810907



89810008 - 89810508 - 89810908

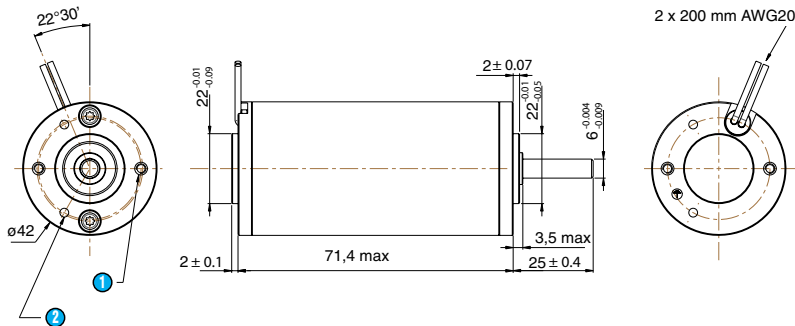


89810003 - 89810503 - 89810903



- Speed (rpm)
- Current (A)
- Torque at nominal
- Torque at maximum efficiency

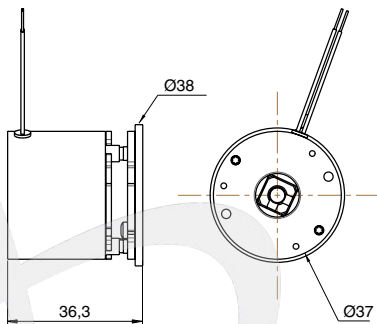
## Dimensions (mm)



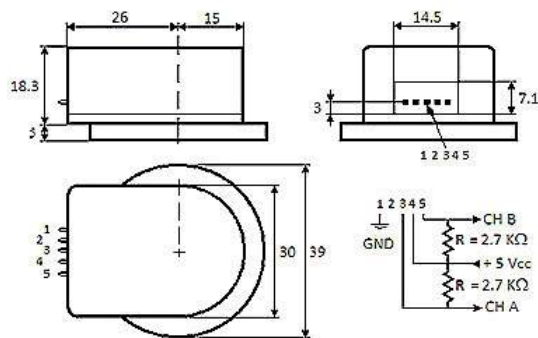
- ① 2 x M3 at 180° depth 5 over Ø 32
- ② 2 x Ø 2.75 at 120° depth 5 over Ø 32

## Options

Holding brake 0.25 Nm



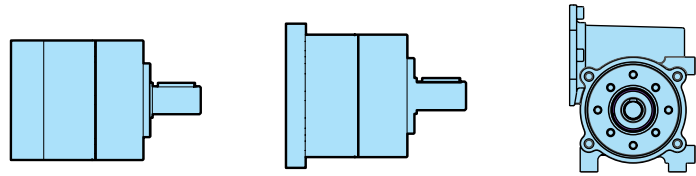
Encoder



# Gearboxes for DCmind brush range

→ 3 to 25 Nm

- Planetary and worm gearboxes, very silent versions
- Shafts on ball bearings
- Long service life



## Part numbers

Gearboxes							
Family	A1			B1			RAD10
Type of gearbox	Planetary $\varnothing$ 42			Planetary $\varnothing$ 52			Worm gear
<b>Associated motors</b>	<b>Gear motor reference</b>			<b>Gear motor reference</b>			<b>Gear motor reference</b>
89810 IP65 / Holding brake / Encoder	8981 A1 / A5 / A9						
89800 IP65 / Holding brake / Encoder	8980 A1 / A5 / A9						
89850 IP65 / Holding brake / Encoder	8985 A1 / A5 / A9						
89830 IP65 / Holding brake / Encoder				8983 B1 / B5 / B9			8983 10 / 15 / 19
89890 IP65 / Holding brake / Encoder				8989 B1 / B5 / B9			8989 10 / 15 / 19
<b>General characteristics</b>							
<b>Number of stages</b>	<b>1</b>	<b>2</b>	<b>3</b>	<b>1</b>	<b>2</b>	<b>3</b>	<b>1</b>
Maximum permitted torque (Nm)	3	7.5	15	4	12	25	10
Efficiency	0.8	0.75	0.7	0.8	0.75	0.7	0.6 → 0.3
Axial dynamic load (daN)	5	8	11	6	10	15	10
Radial dynamic load (daN)	16	23	30	20	32	45	15
Weight (kg)	0.3	0.4	0.5	0.7	0.9	1.1	0.6
Standard reduction ratios	9	45	302	7-9	28-45	302	5 - 10 - 20 - 30 - 50
Other ratios possible	58 - 137 - 232 - 393			58 - 137 - 192 - 232 - 393			15 - 100
Operating temperature	-30 → +70°C			-30 → +70°C			-10 → +75°C
Typical noise level	45 dBA			45 dBA			45 dBA
<b>Comments</b>							

### Planetary gearboxes:

To maintain a very low noise level, the motor pinion is precision machined on motor shaft to obtain optimum concentricity and parallelism. The gears in the first stage are helical-cut and made from a composite material. This design significantly improves gear life by reducing wear due to misalignment, increases gearbox efficiency and ensures a very low noise level even with the gearbox under load.

### Worm gearbox:

This gearbox combines a tempered steel worm gear with a hardened bronze helical wheel, a combination that ensures a long service life. The helical wheel rotates in a grease reservoir to provide an excellent slip coefficient and dissipate heat. O-rings and lip seals equipped with garter springs are used to ensure sealing the gearbox output shaft.

The gearbox casing is made of aluminium to maximize heat dissipation.

However, because of the high power rating of this gearbox and the lower efficiency inherent in ratio worm gearboxes, care must be taken not to exceed a temperature of 75°C on the gearbox casing during operation.

The output shaft configuration can be right, left, or a dual shaft (shaft output on both sides).

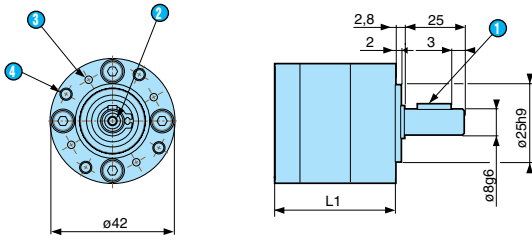
## Product adaptations, contact us



- Special shafts
- Other reduction ratios
- Other fixing holes
- Special mounting flange

## Dimensions (mm)

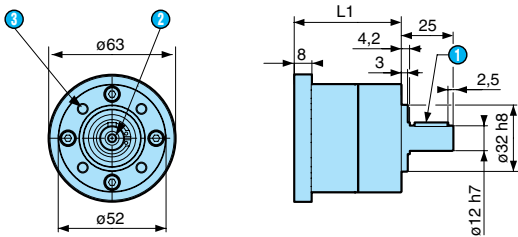
### Planetary gearbox $\phi 42$ type A1



- 1 Parallel key 3 x 3 x 16 DIN6885
- 2 M3, depth 9
- 3 4 x M3 at 90°, depth 7 over  $\phi 32$
- 4 4 x M4 at 90°, depth 10 over  $\phi 36$

L1 1 stage: 48.5 max.  
 L1 2 stages: 61.6 max.  
 L1 3 stages: 74.7 max.

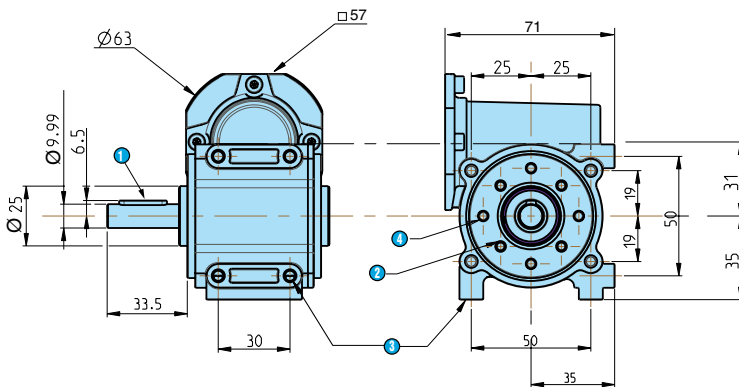
### Planetary gearbox $\phi 52$ type B1



- 1 Parallel key 4 x 4 x 16 DIN6885
- 2 M4, depth 10
- 3 4 x M5 at 90°, depth 10 over  $\phi 40$

L1 1 stage: 56.1 max.  
 L1 2 stages: 70.3 max.  
 L1 3 stages: 84.5 max.

### Worm gearbox RAD10



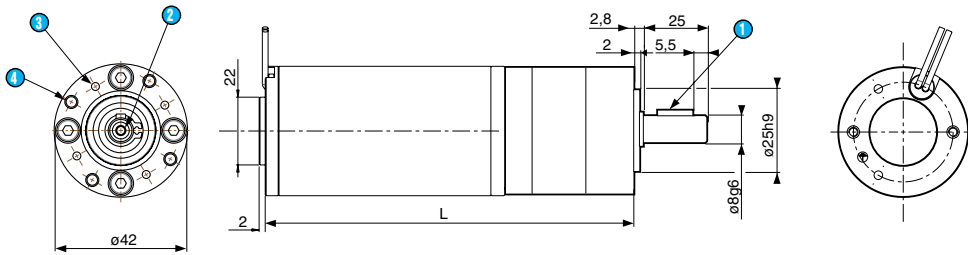
- 1 Parallel key 4 x 4 x 20 DIN6885
- 2 4 x M4, depth 8 over  $\phi 36$
- 3 8 x M5, depth 8
- 4 4 x  $\phi 3.8$  depth 10 over  $\phi 40$

The left-hand and right-hand sides of the gearbox are identical.

# DC geared DCmind brush

## Dimensions (mm)

### 8981A1 - 8980A1 - 8985A1



#### 8981A1

L 1 stage: 119.9 max.  
L 2 stages: 133 max.  
L 3 stages: 146.1 max.

#### 8980A1

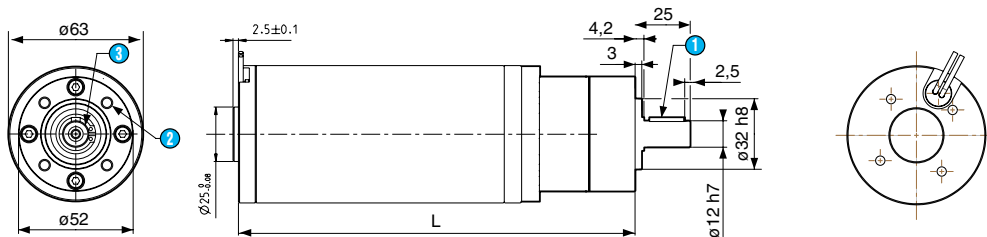
L 1 stage: 135 max.  
L 2 stages: 148.1 max.  
L 3 stages: 161.2 max.

#### 8985A1

L 1 stage: 161.1 max.  
L 2 stages: 174.2 max.  
L 3 stages: 187.3 max.

- 1 Parallel key 3 x 3 x 16 DIN6885
- 2 M3, depth 9
- 3 4 x M3 at 90°, depth 7 over Ø 32
- 4 4 x M4 at 90°, depth 10 over Ø 36

### 8983B1 - 8989B1



#### 8983B1

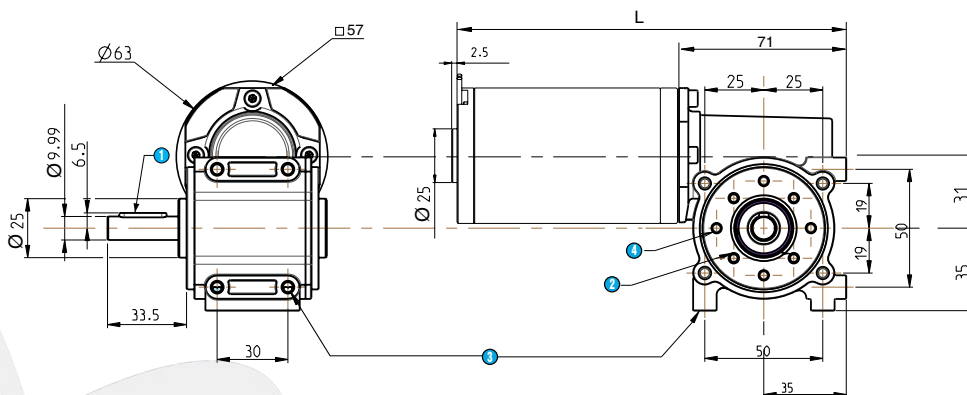
L 1 stage: 159.1 max.  
L 2 stages: 173.3 max.  
L 3 stages: 187.5 max.

#### 8989B1

L 1 stage: 183.6 max.  
L 2 stages: 197.8 max.  
L 3 stages: 212 max.

- 1 Parallel key 4 x 4 x 16 DIN6885
- 2 4 x M5 at 90°, depth 10 over Ø 38
- 3 M4, depth 10

### 898310 - 898910 (left side shaft output)



#### 898310

L: 174.2 max.

#### 898910

L: 198.7 max.

- 1 Parallel key 4 x 4 x 20 DIN6885
- 2 4 x M4, depth 8 over Ø 36
- 3 8 x M5, depth 8
- 4 4 x 3.8, depth 10 over Ø 40