

**Description**

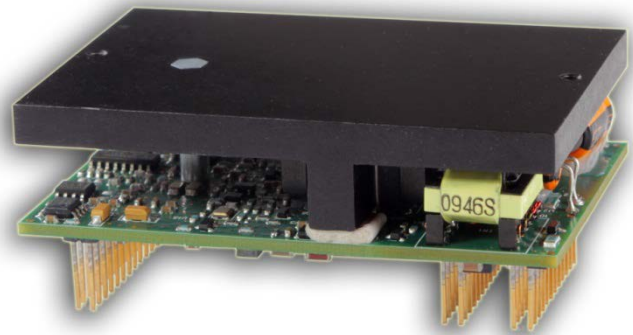
The DZCANTE-060L080 digital servo drive is designed to drive brushed and brushless servomotors from a compact form factor ideal for embedded applications. This fully digital drive operates in torque, velocity, or position mode and employs Space Vector Modulation (SVM), which results in higher bus voltage utilization and reduced heat dissipation compared to traditional PWM. The drive can be configured for a variety of external command signals. Commands can also be configured using the drive's built-in Motion Engine, an internal motion controller used with distributed motion applications. In addition to motor control, this drive features dedicated and programmable digital and analog inputs and outputs to enhance interfacing with external controllers and devices.

The DZCANTE-060L080 features a single RS232 interface used for drive configuration and setup. Drive commissioning is accomplished using DriveWare® 7, available for download at [www.a-m-c.com](http://www.a-m-c.com). The CANopen interface can be used for online operation in networked applications.

The DZ Hardware Installation Manual is available for download from [www.a-m-c.com](http://www.a-m-c.com). All drive and motor parameters are stored in non-volatile memory.

**Power Range**

Peak Current	60 A (42.4 A <sub>RMS</sub> )
Continuous Current	30 A (30 A <sub>RMS</sub> )
Supply Voltage	10 - 80 VDC



**Features**

- ▲ Follows the CAN in Automation (CiA) 301 Communications Profile and 402 Device Profile
- ▲ Four Quadrant Regenerative Operation
- ▲ Space Vector Modulation (SVM) Technology
- ▲ Fully Digital State-of-the-art Design
- ▲ Programmable Gain Settings
- ▲ Fully Configurable Current, Voltage, Velocity and Position Limits
- ▲ PIDF Velocity Loop
- ▲ PID + FF Position Loop
- ▲ Compact Size, High Power Density
- ▲ 12-bit Analog to Digital Hardware
- ▲ On-the-Fly Mode Switching
- ▲ On-the-Fly Gain Set Switching

**MODES OF OPERATION**

- Profile Current
- Profile Velocity
- Profile Position
- Interpolated Position Mode (PVT)

**COMMAND SOURCE**

- ±10 V Analog
- PWM and Direction
- Encoder Following
- Over the Network
- Sequencing
- Indexing
- Jogging

**FEEDBACK SUPPORTED**

- ±10 VDC Position
- Halls
- Incremental Encoder
- Auxiliary Incremental Encoder

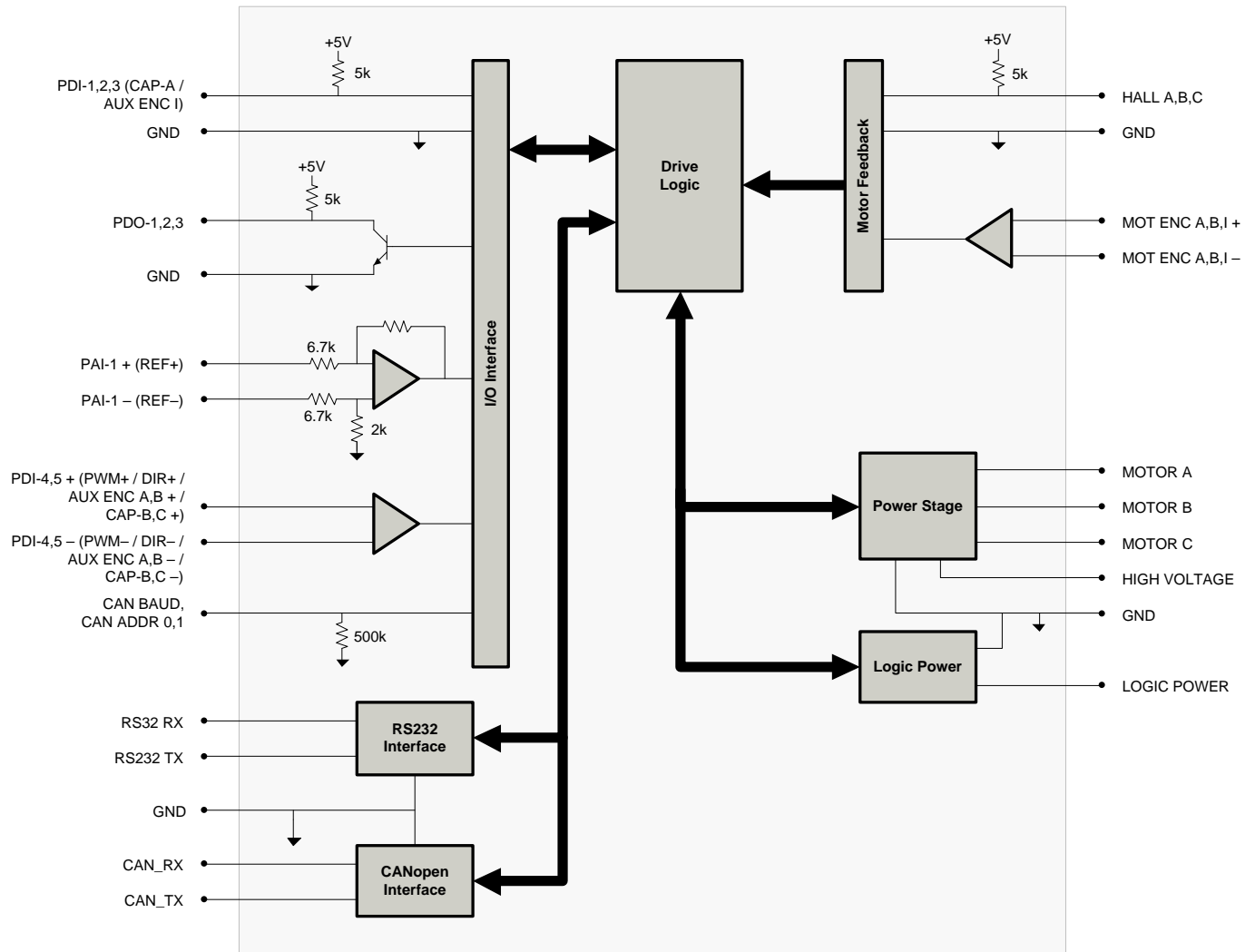
**INPUTS/OUTPUTS**

- 3 High Speed Captures
- 1 Programmable Analog Input (12-bit Resolution)
- 2 Programmable Digital Inputs (Differential)
- 3 Programmable Digital Inputs (Single-Ended)
- 3 Programmable Digital Outputs (Single-Ended)




**COMPLIANCES & AGENCY APPROVALS**

- UL
- cUL
- CE Class A (LVD)
- CE Class A (EMC)
- RoHS

**BLOCK DIAGRAM**



**Information on Approvals and Compliances**

	<p>US and Canadian safety compliance with UL 508c, the industrial standard for power conversion electronics. UL registered under file number E140173. Note that machine components compliant with UL are considered UL registered as opposed to UL listed as would be the case for commercial products.</p>
	<p>Compliant with European EMC Directive 2004/108/EC on Electromagnetic Compatibility (specifically EN 61000-6-4:2007 for Emissions, Class A and EN 61000-6-2:2005 for Immunity, Performance Criteria A). LVD requirements of Directive 2006/95/EC (specifically, EN 60204-1:2004, a Low Voltage Directive to protect users from electrical shock).</p>
	<p>RoHS (Reduction of Hazardous Substances) is intended to prevent hazardous substances such as lead from being manufactured in electrical and electronic equipment.</p>

**SPECIFICATIONS**

Power Specifications			
Description	Units		Value
DC Supply Voltage Range	VDC	10 - 80	
DC Bus Over Voltage Limit	VDC	88	
DC Bus Under Voltage Limit	VDC	8	
Logic Supply Voltage	VDC	5 (+/- 5%)	
Maximum Peak Output Current <sup>1</sup>	A (Arms)	60 (42.4)	
Maximum Continuous Output Current <sup>2</sup>	A (Arms)	30 (30)	
Maximum Continuous Output Power	W	2280	
Maximum Power Dissipation at Continuous Current	W	120	
Internal Bus Capacitance <sup>3</sup>	µF	30	
Minimum Load Inductance (Line-To-Line) <sup>4</sup>	µH	250 (at 80 V supply); 150 (at 48 V supply); 75 (at 24 V supply); 40 (at 12 V supply)	
Switching Frequency	kHz	20	
Maximum Output PWM Duty Cycle	%	92	
Control Specifications			
Description	Units		Value
Communication Interfaces	-	CANopen (RS-232 for configuration)	
Command Sources	-	±10 V Analog, Encoder Following, Over the Network, PWM and Direction, Sequencing, Indexing, Jogging	
Feedback Supported	-	±10 VDC Position, Auxiliary Incremental Encoder, Halls, Incremental Encoder	
Commutation Methods	-	Sinusoidal, Trapezoidal	
Modes of Operation	-	Profile Current, Profile Velocity, Profile Position, Interpolated Position Mode (PVT)	
Motors Supported	-	Closed Loop Vector, Single Phase (Brushed, Voice Coil, Inductive Load), Three Phase (Brushless)	
Hardware Protection	-	40+ Configurable Functions, Over Current, Over Temperature (Drive & Motor), Over Voltage, Short Circuit (Phase-Phase & Phase-Ground), Under Voltage	
Programmable Digital Inputs/Outputs (PDIs/PDOs)	-	5/3	
Programmable Analog Inputs/Outputs (PAIs/PAOs)	-	1/0	
Primary I/O Logic Level	-	5V TTL	
Current Loop Sample Time	µs	50	
Velocity Loop Sample Time	µs	100	
Position Loop Sample Time	µs	100	
Maximum Encoder Frequency	MHz	20 (5 pre-quadrature)	
Mechanical Specifications			
Description	Units		Value
Agency Approvals	-	CE Class A (EMC), CE Class A (LVD), cUL, RoHS, UL	
Size (H x W x D)	mm (in)	76.2 x 50.8 x 22.9 (3.0 x 2.0 x 0.9)	
Weight	g (oz)	123.9 (4.4)	
Minimum Heatsink (Base) Temperature Range <sup>5</sup>	°C (°F)	0 - 60 (32 - 140)	
Storage Temperature Range	°C (°F)	-40 - 85 (-40 - 185)	
Cooling System	-	Natural Convection	
Form Factor	-	PCB Mounted	
P1 Connector	-	30-pin, 2.54 mm spaced, dual-row header	
P2 Connector	-	24-pin, 2.54 mm spaced, dual-row header	
P3 Connector	-	24-pin, 2.54 mm spaced, dual-row header	

**Notes**

1. Capable of supplying drive rated peak current for 2 seconds with 10 second foldback to continuous value. Longer times are possible with lower current limits.
2. Continuous  $A_{rms}$  value attainable when RMS Charge-Based Limiting is used.
3. Requires an additional external 470µF, 100V capacitor on the power supply line between High Voltage and Power Ground close to the drive.
4. Lower inductance is acceptable for bus voltages well below maximum. Use external inductance to meet requirements.
5. Thermal shutdown when PCB temperature reaches 75°C. The base plate temperature at this point may be between 60°C and 75°C depending on rate of base plate cooling (additional heat sinking), ambient temperature, and output current.

**PIN FUNCTIONS**

P1 - Signal Connector				
Pin	Name	Description / Notes	I/O	
1	CAN ADDR 0	CAN Bus Address Selector	I	
2	CAN ADDR 1		I	
3	PAI-1 + (REF+)	Differential Programmable Analog Input or Reference Signal Input (12-bit Resolution)	I	
4	PAI-1 - (REF-)		I	
5	GND	Ground	GND	
6	CAN BAUD	CAN bus bit rate selector.	I	
7	PDO-1	Programmable Digital Output	O	
8	PDO-2	Programmable Digital Output	O	
9	PDO-3	Programmable Digital Output	O	
10	PDI-1	Programmable Digital Input	I	
11	PDI-2	Programmable Digital Input	I	
12	PDI-3 (CAP-A / AUX ENC I)	Programmable Digital Input or High Speed Capture or Auxiliary Encoder Index	I	
13	RS232 RX	Receive Line (RS-232)	I	
14	CAN RX	CAN Receive Line (Requires External Transceiver)	I	
15	RS232 TX	Transmit Line (RS-232)	O	
16	CAN TX	CAN Transmit Line (Requires External Transceiver)	O	
17	PDI-4 + (PWM+ / AUX ENC A+ / CAP-B+)	Programmable Digital Input or PWM or Auxiliary Encoder or High Speed Capture (For Single-Ended Signals see DZ HW Installation Manual)	I	
18	PDI-4 - (PWM- / AUX ENC A- / CAP-B-)		I	
19	PDI-5 + (DIR+ / AUX ENC B+ / CAP-C+)	Programmable Digital Input or Direction or Auxiliary Encoder or High Speed Capture (For Single-Ended Signals see DZ HW Installation Manual)	I	
20	PDI-5 - (DIR- / AUX ENC B- / CAP-C-)		I	
21	GND	Ground	GND	
22	HALL A	Single-ended Commutation Sensor Input	I	
23	HALL B		I	
24	HALL C		I	
25	MOT ENC I+	Differential Encoder Index Input (see MC1XDZC02-HP1 datasheet for recommended signal conditioning)	I	
26	MOT ENC I-		I	
27	MOT ENC A+	Differential Encoder A Channel Input (see MC1XDZC02-HP1 datasheet for recommended signal conditioning)	I	
28	MOT ENC A-		I	
29	MOT ENC B+	Differential Encoder B Channel Input (see MC1XDZC02-HP1 datasheet for recommended signal conditioning)	I	
30	MOT ENC B-		I	

P2 and P3 - Power Connector				
Pin	Name	Description / Notes	I/O	
1a	LOGIC PWR	Logic Supply Input (P2 only; Reserved on P3)	I	
1b	RESERVED		-	
2a	2b	GND	GND	
3a	3b	GND	GND	
4a	4b	DC Power Input. 3A Continuous Current Rating Per Pin. 470µF, 100V external capacitor required between High Voltage and Ground.	I	
5a	5b		I	
6a	6b	RESERVED	-	
7a	7b	Motor Phase Outputs. Current output distributed equally across both P2 and P3 connectors – 8 pins per motor phase. At ambient temperatures above 50°C, 3A continuous current carrying capacity per pin. At 25°C ambient, 6A continuous current carrying capacity per pin.	O	
8a	8b		O	
9a	9b		O	
10a	10b		O	
11a	11b		O	
12a	12b		O	

**Pin Details**
**CAN ADDR 0 (P1-1)**

This pin, CAN ADDR 0, as well as CAN ADDR 1, are used for CAN bus addressing. To set the CAN node address of a drive, use the formula

$$CANAddress = \frac{7 * Addr0}{3} + 8 * \frac{7 * Addr1}{3}$$

where *CANAddress* is the desired node address and *Addr0* and *Addr1* represent the voltage that should be applied to pins CAN ADDR 0 and CAN ADDR 1, respectively. The values for *Addr0* and *Addr1* are always integer multiples of 3/7 V within the range 0-

3 V. Examples of the voltages required to set certain node addresses are given in the table below. Note that setting a CAN address of 0 will utilize the address stored in non-volatile memory.

CAN ADDR 0 Value (V)	CAN ADDR 1 Value (V)	CAN ADDR Tolerance (V)	CAN Address (Node #)
0	0	±0.1	Address stored in non-volatile memory
3/7 (0.43)	0	±0.1	1
6/7 (0.86)	0	±0.1	2
9/7 (1.3)	0	±0.1	3
...	...	±0.1	...
18/7 (2.57)	21/7 (3.0)	±0.1	62
21/7 (3.0)	21/7 (3.0)	±0.1	63

#### CAN BAUD (P1-6)

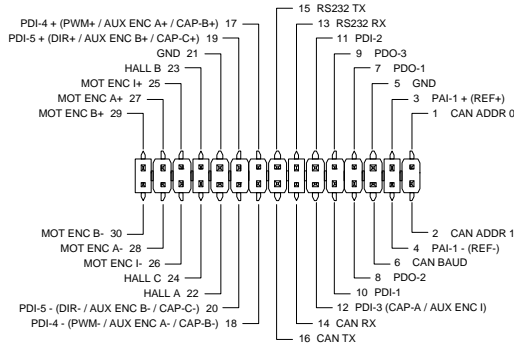
The CAN bit rate is set by applying the appropriate voltage to the CAN BAUD pin as given in the table below. Note that higher bit rates are possible when using the value stored in NVM.

CAN BAUD Value (V)	CAN BAUD Tolerance (V)	CAN Bus Bit Rate (bits/s)
0	±0.388	Bit rate stored in non-volatile memory
1	±0.388	500k
2	±0.388	250k
3	±0.388	125k

**MECHANICAL INFORMATION**

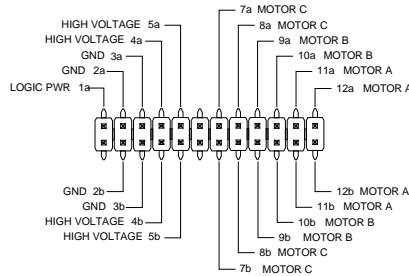
**P1 - Signal Connector**

Connector Information	30-pin, 2.54 mm spaced, dual-row header	
Mating Connector	Details	Samtec: SSM-115-L-DV
	Included with Drive	No



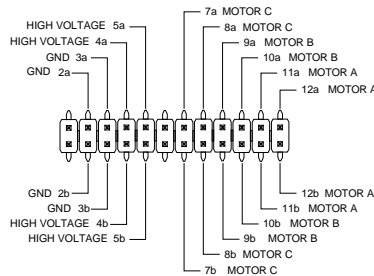
**P2 - Power Connector**

Connector Information	24-pin, 2.54 mm spaced, dual-row header	
Mating Connector	Details	Samtec: BCS-112-L-D-PE
	Included with Drive	No

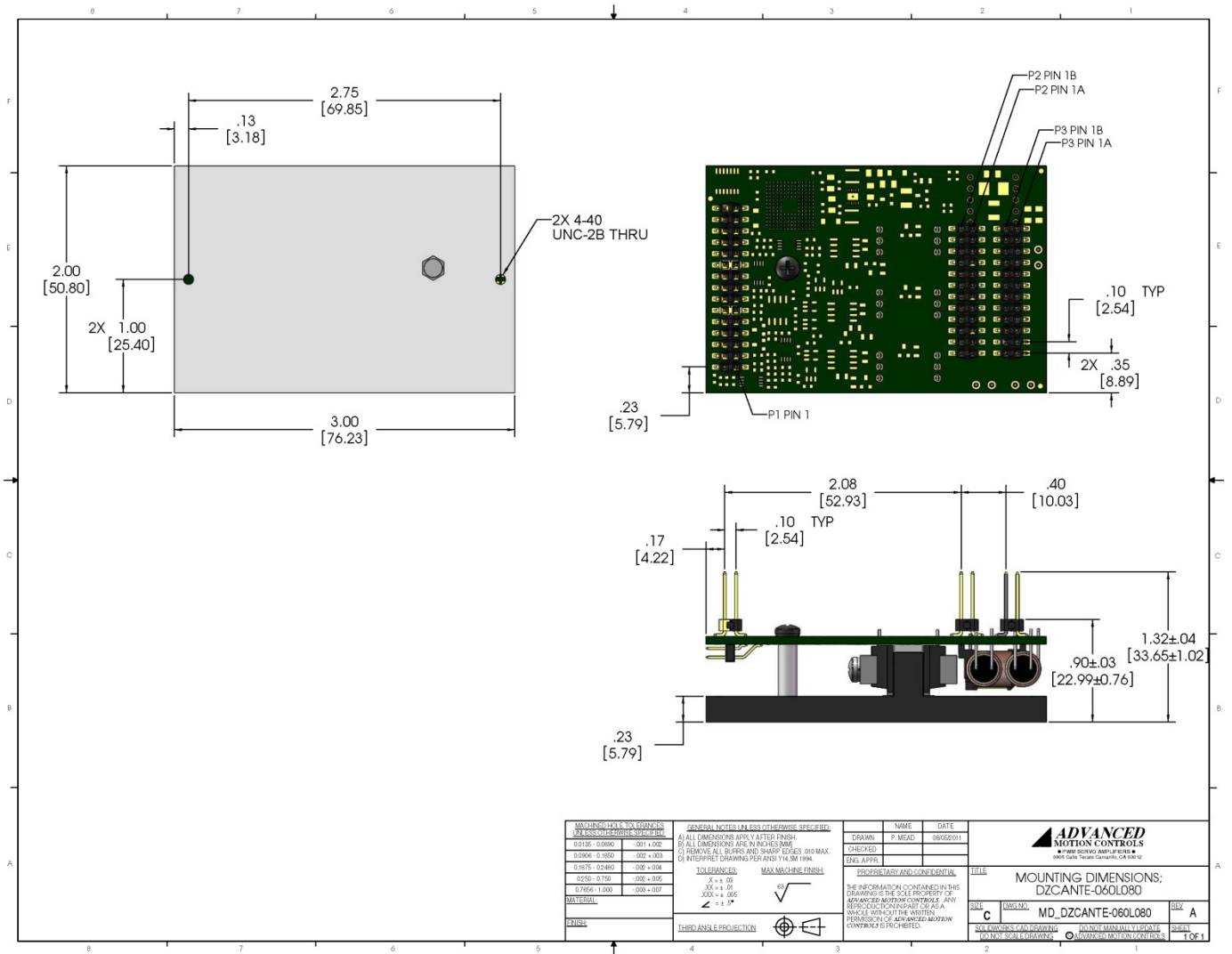


**P3 - Power Connector**

Connector Information	24-pin, 2.54 mm spaced, dual-row header	
Mating Connector	Details	Samtec: BCS-112-L-D-PE
	Included with Drive	No

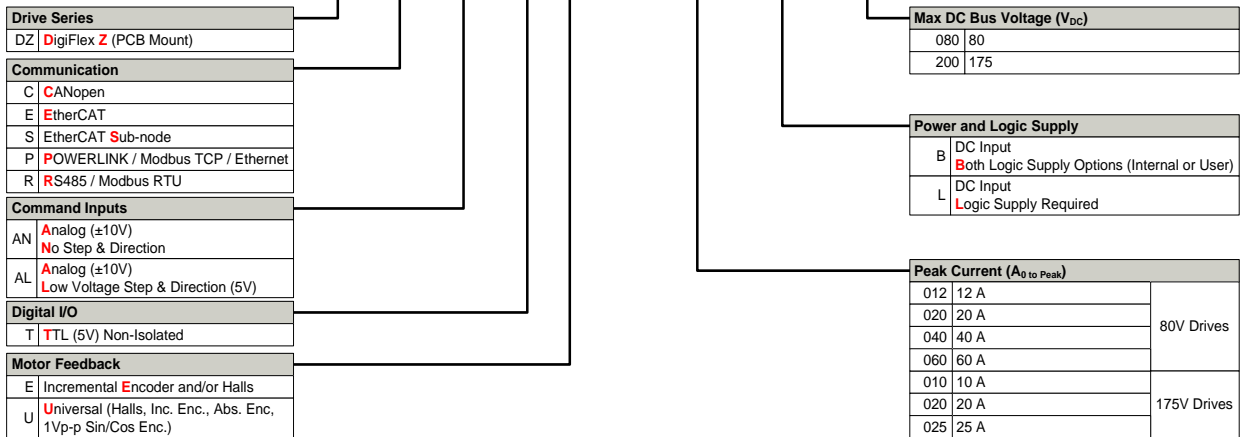


**MOUNTING DIMENSIONS**



**PART NUMBERING INFORMATION**

Example: **D Z C A N T E - 0 6 0 L 0 8 0**



DigiFlex® Performance™ series of products are available in many configurations. Note that not all possible part number combinations are offered as standard drives. All models listed in the selection tables of the website are readily available, standard product offerings.

ADVANCED Motion Controls also has the capability to promptly develop and deliver specified products for OEMs with volume requests. Our Applications and Engineering Departments will work closely with your design team through all stages of development in order to provide the best servo drive solution for your system. Equipped with on-site manufacturing for quick-turn customs capabilities, ADVANCED Motion Controls utilizes our years of engineering and manufacturing expertise to decrease your costs and time-to-market while increasing system quality and reliability. Feel free to contact Applications Engineering for further information and details.

**Examples of Customized Products**

- ▲ Optimized Footprint
- ▲ Private Label Software
- ▲ OEM Specified Connectors
- ▲ No Outer Case
- ▲ Increased Current Resolution
- ▲ Increased Temperature Range
- ▲ Custom Control Interface
- ▲ Integrated System I/O
- ▲ Tailored Project File
- ▲ Silkscreen Branding
- ▲ Optimized Base Plate
- ▲ Increased Current Limits
- ▲ Increased Voltage Range
- ▲ Conformal Coating
- ▲ Multi-Axis Configurations
- ▲ Reduced Profile Size and Weight

**Available Accessories**

ADVANCED Motion Controls offers a variety of accessories designed to facilitate drive integration into a servo system. Visit [www.a-m-c.com](http://www.a-m-c.com) to see which accessories will assist with your application design and implementation.



All specifications in this document are subject to change without written notice. Actual product may differ from pictures provided in this document.